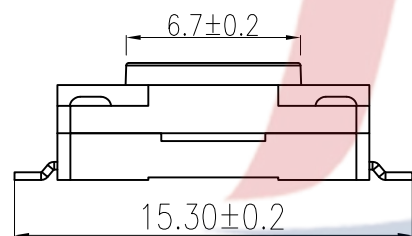


电路图

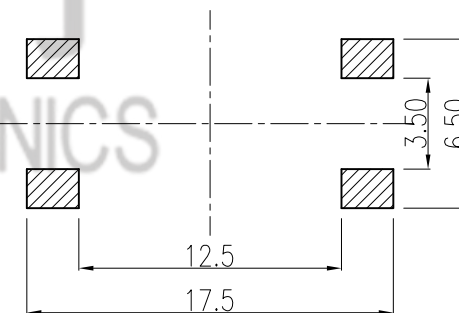


主要技术规格:

1. 额定值: 50mA DC12V
2. 接触电阻:  $\leq 50m\Omega$
3. E(操作力):  $250 \pm 40gf$
4. 行程:  $0.45 \pm 0.1mm$
5. 绝缘电阻:  $\geq 100M\Omega$
6. 抗电强度: 250V 50HZ 1Min.
7. 寿命: 100,000 Cycles
8. 防水等级: IP67
9. 防银迁移: 60V, 85°C, 90%RH/60H

操作力 : E=250 ± 50gf

| H     |       |
|-------|-------|
| 4.3   | 4.5   |
| 5.0   | 5.5   |
| 6.0   | 6.5   |
| ..... | ..... |
| 13.0  | 13.5  |
| 14.0  | 15.0  |



PCB. 焊接图

|     |                |          |     |           | TOLERANCE UNLESS SPECIFIED |         |            |                |           |  |    |         |
|-----|----------------|----------|-----|-----------|----------------------------|---------|------------|----------------|-----------|--|----|---------|
|     |                |          |     |           | UP TO 5mm: ±0.1            | ANGULAR |            |                |           |  |    |         |
|     |                |          |     |           | ABOVE 5mm: ±0.2            | ±1°     | 1          |                |           |  |    |         |
|     |                |          |     |           |                            |         | NO         | DATE           | REVISIONS |  | BY | APPD    |
| 6   | TERMINAL       | BRASS    | 2   | Ag-Plated |                            |         |            |                |           |  |    |         |
| 5   | CASE           | PPA      | 1   | BLACK     |                            |         |            |                |           |  |    |         |
| 4   | REED           | SUS      | 1   | Ag-Plated |                            |         |            |                |           |  |    |         |
| 3   | WATERPROOF PAD | RUBBER   | 1   | BLACK     |                            |         |            |                |           |  |    |         |
| 2   | COVER          | PPA      | 1   | BLACK     |                            |         |            |                |           |  |    |         |
| 1   | BUTTON         | PPA      | 1   | BLACK     |                            |         |            |                |           |  |    |         |
| NO. | PART NAME      | MATERIAL | QTY | FINISHING |                            |         |            |                |           |  |    |         |
|     |                |          |     |           | TITLE: TACT SWITCH         |         | UNIT : MM  | ROHS COMPLIANT | DWN       |  |    |         |
|     |                |          |     |           | MODEL: TC-06121FS-050E     |         | SCALE: 1:1 | CHK'D          |           |  |    |         |
|     |                |          |     |           | HAOYU(HONGKONG)LIMITED     |         |            |                | APPD      |  |    |         |
|     |                |          |     |           | 皓宇(香港)有限公司                 |         |            |                | PRO.AGL:  |  |    | REV :A0 |