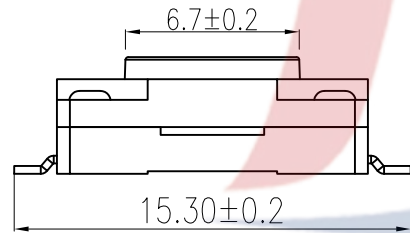


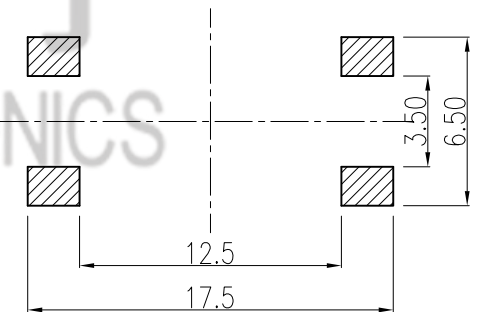
电路图



主要技术规格:

1. 额定值: 50mA DC12V
2. 接触电阻:  $\leq 50m\Omega$
3. 操作力:  $250 \pm 40gf$
4. 行程:  $0.45 \pm 0.1mm$
5. 绝缘电阻:  $\geq 100M\Omega$
6. 抗电强度: 250V 50HZ 1Min.
7. 寿命: 100,000 Cycles
8. 防水等级: IP67
9. 防银迁移: 60V, 85°C, 90%RH/60H

H	
4.3	4.5
5.0	5.5
6.0	6.5
.....	.....
13.0	13.5
14.0	15.0



PCB. 焊接图

操作力 : E=250 ± 50gf

				TOLERANCE UNLESS SPECIFIED									
				UP TO 5mm: ±0.1	ANGULAR								
				ABOVE 5mm: ±0.2	±1°	1	NO	DATE	REVISIONS		BY	APPD	
6	TERMINAL	BRASS	2	Ag-Plated									
5	CASE	PPA	1	BLACK									
4	REED	SUS	1	Ag-Plated									
3	WATERPROOF PAD	RUBBER	1	BLACK									
2	COVER	PPA	1	BLACK									
1	BUTTON	PPA	1	BLACK									
NO.	PART NAME	MATERIAL	QTY	FINISHING	TITLE: TACT SWITCH MODEL: TC-06121FS-043E UNIT : MM SCALE: 1:1 ROHS COMPLIANT				DWN	CHK'D	APPD	PRO.AGL:	REV :A0
					HAOYU(HONGKONG)LIMITED 皓宇(香港)有限公司								