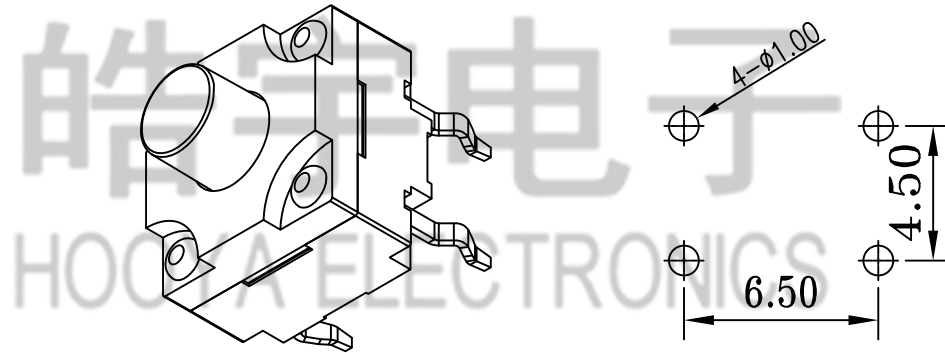
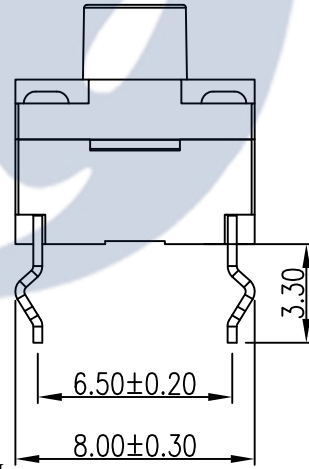


H	
6.5	7.0
7.5	8.0
8.5	9.0
9.5	10.0
10.5	11.0
11.5	12.0

主要技术规格:

1. 额定值: 50mA DC12V
2. 接触电阻:  $\leq 50m\Omega$
3. 操作力:  $250 \pm 40gf$
4. 行程:  $0.35 \pm 0.1mm$
5. 绝缘电阻:  $\geq 100M\Omega$
6. 抗电强度: 250V 50HZ 1Min.
7. 寿命: 100,000 Cycles
8. 防水等级: IP67
9. 防银迁移: 60V, 85°C, 90%RH/60H



PCB. 焊接图

操作力:  $E=250 \pm 50gf$

8	INSIDE	PPA	1	BLACK	TOLERANCE							
7	WATERPROOF MEMBRANE		1	YELLOW	UNLESS SPECIFIED							
6	TERMINAL	BRASS	4	Ag-Plated	UP TO 5mm: $\pm 0.1$	ANGULAR	1					
5	CASE	PPA	1	BLACK	ABOVE 5mm: $\pm 0.2$	$\pm 1^\circ$	NO	DATE	REVISIONS		BY	APPD
4	REED	SUS	1	Ag-Plated	TITLE: TACT SWITCH			UNIT: MM	ROHS	DWN		
3	WATERPROOF PAD	RUBBER	1	BLACK	MODEL: TC-00108FS-095E			SCALE: 1:1	COMPLIANT	CHK'D		
2	COVER	PPA	1	BLACK	HAOYU(HONGKONG)LIMITED 皓宇(香港)有限公司					APPD		
1	BUTTON	PPA	1	BLACK								
NO.	PART NAME	MATERIAL	QTY	FINISHING						PRO.AGL:		REV :A0