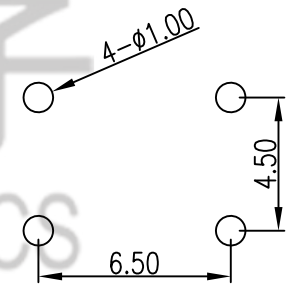
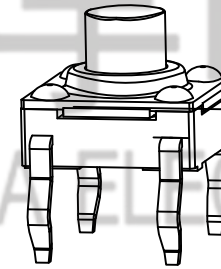
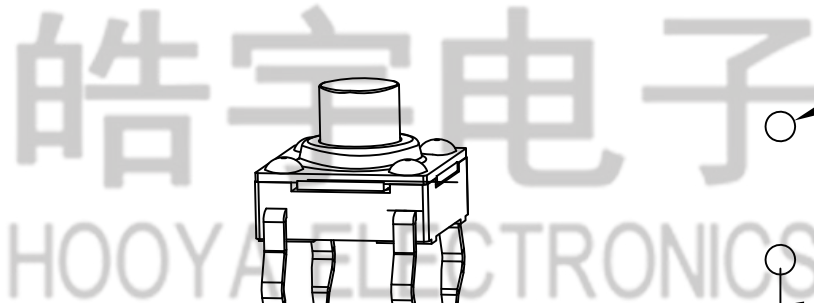
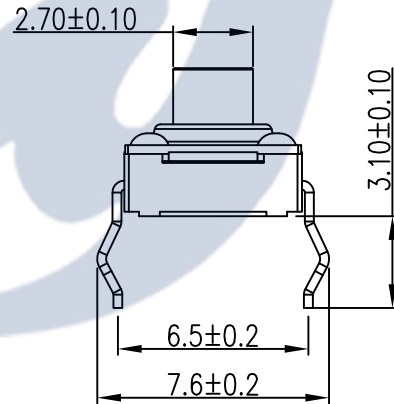


电路图

H	
4.3	4.5
5.0	



PCB. 焊接图

主要技术规格:

1. 额定值: 50mA DC12V
2. 接触电阻: ≤50mΩ
3. E: (作力: 250±30gf)
4. 行程: 0.30±0.1mm
5. 绝缘电阻: ≥100MΩ
6. 抗电强度: 250V 50HZ 1Min.
7. 寿命: 100,000 Cycles
8. 防水等级: IP67
9. 防银迁移: 60V, 85°C, 90%RH/60H

操作力: E=250 ± 50gf

					TOLERANCE					
					UNLESS SPECIFIED					
6	TERMINAL	BRASS	4	Ag-Plated	UP TO 5mm: ±0.1	ANGULAR	1			
5	CASE	PPA	1	BLACK	ABOVE 5mm: ±0.2	±1°	NO	DATE	REVISIONS	BY APPD
4	REED	SUS	1	Ag-Plated	TITLE: TACT SWITCH			UNIT: MM	ROHS COMPLIANT	DWN
3	WATERPROOF PAD	RUBBER	1	BLACK	MODEL: TC-00104FSA-043E			SCALE: 1:1	CHK'D	
2	COVER	SUS	1		HAOYU(HONGKONG)LIMITED 皓宇(香港)有限公司			APPD		
1	BUTTON	PPA	1	BLACK				PRO.AGL:	REV: A0	
NO.	PART NAME	MATERIAL	QTY	FINISHING						REV: A0