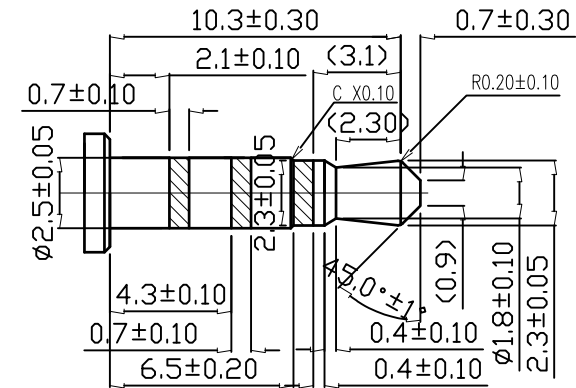
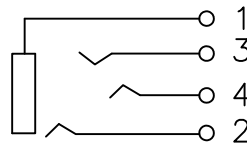


PCB LAYOUT TOP VIEW



$\phi 2.50\text{mm}$ 4 POLE PLUG DETAIL DRAWING



CIRCUIT DIAGRAM



	G-Switch Electronic (HongKong) CO.,Ltd.			
	DESIGN 陈锋枫	DATE 2016.05.29	TITLE:	
	CHECKED	DATE	PJ-2013-16S	
	APPROVED	DATE		
	http://www.dg-switch.com		REV.: X1	SCALE: 4:1
TEL:0769-82388879		SIZE: A4	SHEET: 1/1	

No.	PART NAME	QTY	MATERIAL (THICK, COLOR)	REMARK
④	HOUSING PH-PJ-2533-L3	1	PA-9T (Black)	
③	TERMINAL MT-PJ-2013-4Q1S	1	PHOSPHOR BRONZE t=0.20	Ag-Plated
②	TERMINAL MT-PJ-2013-2Q1S	2	PHOSPHOR BRONZE t=0.20	Ag-Plated
①	TERMINAL MT-PJ-2013-1Q1S	1	PHOSPHOR BRONZE t=0.20	Ag-Plated