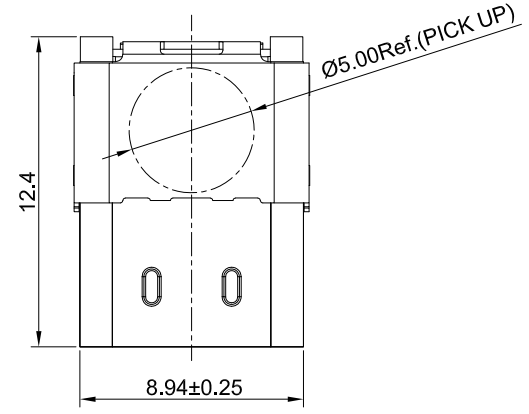
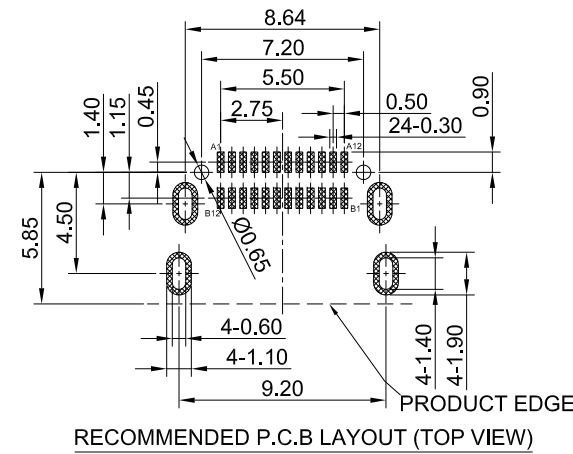
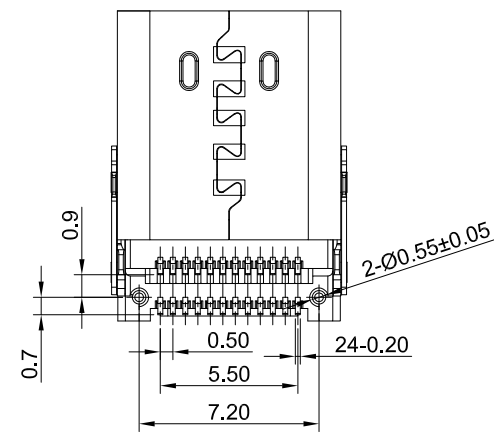


SECTION A-A

G-Switch USB-C Specification:

1. CURRENT RATING: 5A
2. VOLTAGE: 20V
3. TEMPERATURE RANGE: -55 °C ~ 85 °C
4. CONTACT RESISTANCE: 40 MEGOHMS MAX
5. INSULATION RESISTANCE: 100 MEGOHMS MIN
6. INSERTION FORCE : 5N~20N
7. UNMATING FORCE: 8N~20N
8. DURABILITY: 10,000 CYCLES



A1	A2	A3	A4	A5	A6	A7	A8	A9	A10	A11	A12		
GND	TX1+	TX1-	VBUS	CC1	D+	D-	SBU1	VBUS	RX2-	RX2+	GND		
GND	RX1+	RX1-	VBUS	SBU2	D-	D+	CC2	VBUS	TX2-	TX2+	GND		
B12	B11	B10	B9	B8	B7	B6	B5	B4	B3	B2	B1		
3	SHELL					STAINLESS STEEL							
2	CONTACT					COPPER ALLOY							
1	INSULATOR					HIGH TEMPERATURE PLASTIC UL 94 V-0							
NO.	PARTS					MATERIAL							



品赞科技®
b-Switch
 Unless otherwise specified, Tolerance:
 X. ±0.30
 X.x ±0.20
 X.xx ±0.15
 X.xxx ±0.10
 Angles ±3°

G-Switch Electronic (HongKong) CO.,Ltd.

DESIGN Yu Chen	DATE 2022.07.07	Molde code:	
CHECKED	DATE	GT-USB-7068A	
APPROVED	DATE		
http://www.dg-switch.com		REV.: X1	SCALE: 4:1
TEL:0769-82388879		UNIT: mm	
		SIZE: A4	SHEET: 1/1