

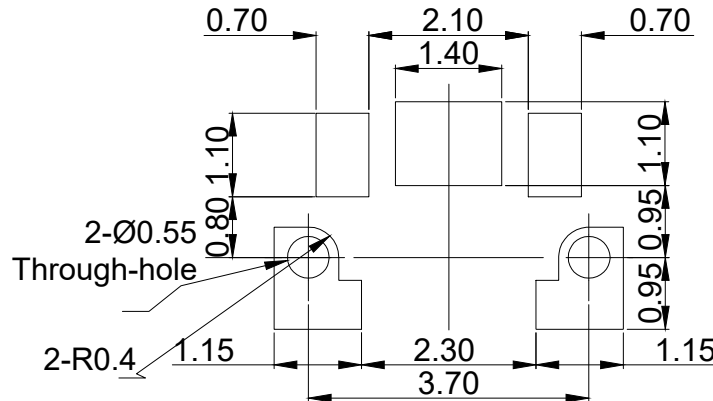
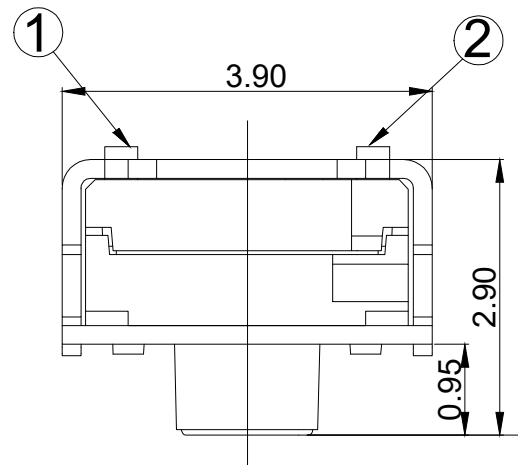
**GT-TC173B-H029-L1**

**G-SWITCH**

**Operating Force**  
A=160gf  
B=250gf

**Switch Height (mm)**  
H029=2.9mm

**Switch lifetime (Force)**  
L1=100,000 Cycles



P.C.B LAND DIMENSION

**G-Switch Specification:**

Operating temperature range: -40°C to +85°C  
 Rating: 50mA, 12V DC  
 Insulation resistance: 100MΩ min. 100V DC  
 Dielectric strength: 250V AC for 1 min  
 Contact resistance: 100mΩ max.  
 Travel: 0.15±0.05mm



CIRCUIT DIAGRAM



Unless otherwise specified, Tolerance:  
 X. ±0.30  
 X.x ±0.20  
 X.xx ±0.15  
 X.xxx ±0.10  
 Angles ±3°

**G-Switch Electronic (HongKong) CO., Ltd.**

DESIGN FengFengChen	DATE 2019.05.29	Molde code:	
CHECKED	DATE	GT-TC173B-H029-L1	
APPROVED	DATE		
<a href="http://www.dg-switch.com">http://www.dg-switch.com</a>		REV.: X1	SCALE: 4:1
TEL:0769-82388879		UNIT: mm	
SIZE: A4	SHEET: 1/1		