

GT-TC126B-H043-L1

G-SWITCH

Operating Force

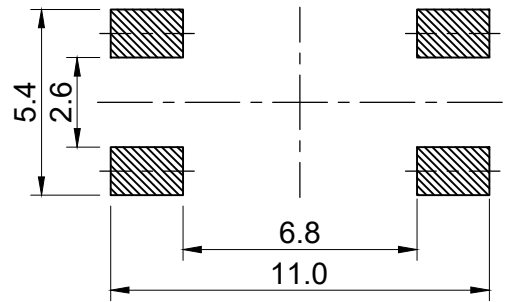
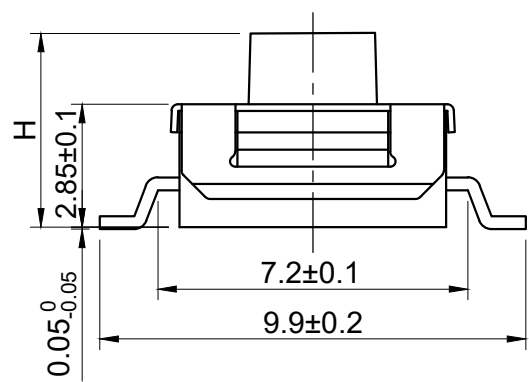
- A=160gf
- B=250gf
- D=350gf
- F=320gf
- G=400gf
- H=600gf

Switch Height (mm)

- H031=3.1mm
- H034=3.4mm
- H035=3.5mm
- H043=4.3mm
- H050=5.0mm
- H052=5.2mm

Switch lifetime (Force)

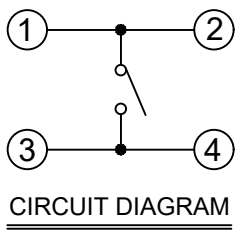
- L1=100,000 Cycles(D)
- L3=300,000 Cycles(A, B)
- L5=500,000 Cycles(A, B)



P.C.B LAND DIMENSION

G-Switch Specification:

Operating temperature range: -40°C to +85°C
 Rating: 50mA, 12V DC
 Insulation resistance: 100MΩ min. 100V DC
 Dielectric strength: 250V AC for 1 min
 Contact resistance: 100mΩ max.
 Travel: 0.35±0.1mm



G-Switch Electronic (HongKong) CO.,Ltd.

Unless otherwise specified, Tolerance:
 X. ±0.30
 X.x ±0.20
 X.xx ±0.15
 X.xxx ±0.10
 Angles ±3°

DESIGN FengFengChen	DATE 2019.05.29	Molde code:	
CHECKED	DATE	GT-TC126B-H043-L1	
APPROVED	DATE		
http://www.dg-switch.com		REV.: X1	SCALE: 4:1
TEL:0769-82388879		SIZE: A4	SHEET: 1/1

