

GT-TC100C-H050-L1

G-SWITCH

Operating Force

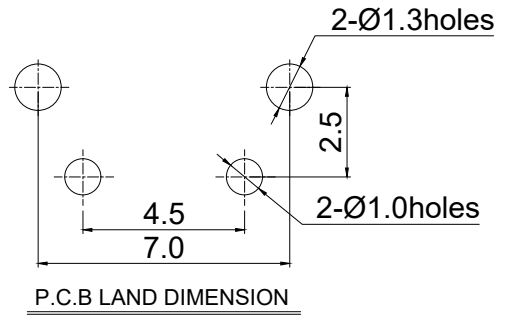
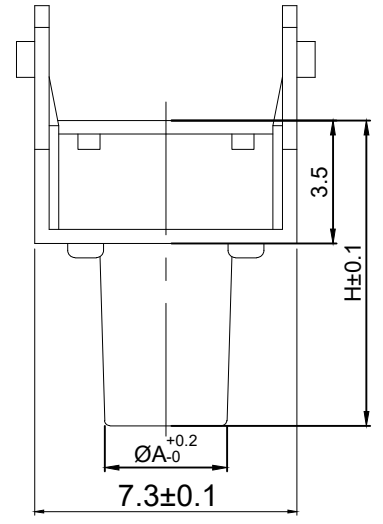
- A=160gf
- B=250gf
- C=100gf
- D=70gf
- E=130gf
- F=320gf
- G=400gf

Switch lifetime (Force)

- L05=50,000 Cycles
- L1=100,000 Cycles
- L3=300,000 Cycles
- L5=500,000 Cycles

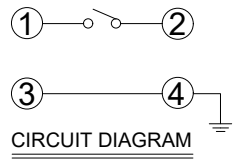
Switch Height (mm)

- H043=4.3(A3.5) H050=5.0(A3.5)
- H055=5.5(A3.5) H060=6.0(A3.5)
- H065=6.5(A3.5) H070=7.0(A3.3)
- H080=8.0(A3.3) H085=8.5(A3.3)
- H090=9.0(A3.3) H095=9.5(A3.0)
- H100=10.0(A3.0) H105=10.5(A3.0)
- H110=11.0(A3.0) H115=11.5(A3.0)
- H120=12.0(A3.0) H125=12.5(A3.0)
- H130=13.0(A3.0) H135=13.5(A3.0)
- H140=14.0(A3.0) H145=14.5(A3.0)
- H150=15.0(A3.0) ...



G-Switch Specification:

Operating temperature range: -40°C to +85°C
 Rating: 50mA, 12V DC
 Insulation resistance: 100MΩ min. 100V DC
 Dielectric strength: 250V AC for 1 min
 Contact resistance: 100mΩ max.
 Travel: 0.25±0.1mm



G-Switch Electronic (HongKong) CO.,Ltd.

Unless otherwise specified, Tolerance:
 X. ±0.30
 X.x ±0.20
 X.xx ±0.15
 X.xxx ±0.10
 Angles ±3°

| | |
|---|-----------------|
| DESIGN FengFengChen | DATE 2021.11.12 |
| CHECKED | DATE |
| APPROVED | DATE |
| http://www.dg-switch.com | |
| TEL:0769-82388879 | |

| | | |
|----------------------------------|------------|----------|
| Molde code: GT-TC100C-H050-L1 | | |
| REV.: X1 | SCALE: 4:1 | UNIT: mm |
| SIZE: A4 | SHEET: 1/1 | |