

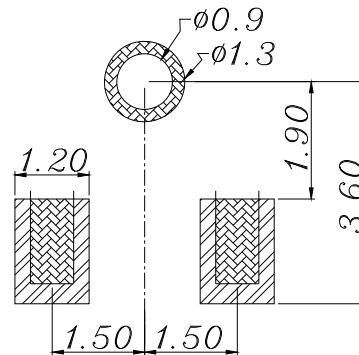
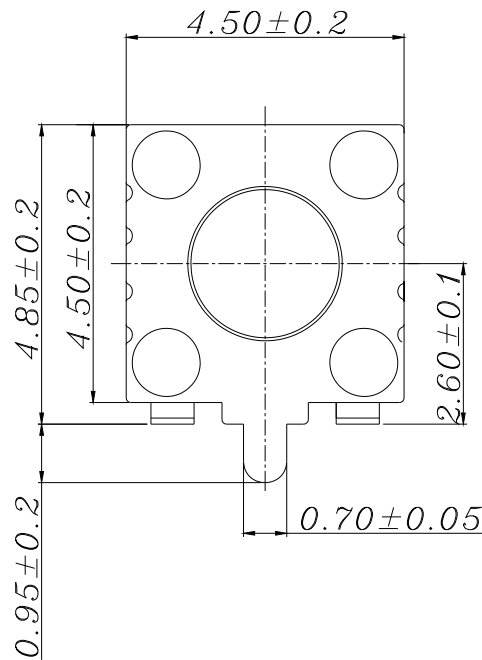
### GT-TC072X-HXXX-LX

**G-SWITCH**

**Operating Force**  
 A=160gf  
 B=250gf  
 C=100gf

**Switch Height (mm)**  
 H038=3.8mm  
 H043=4.3mm

**Switch lifetime (Force)**  
 L1=100,000 Cycles



### PCB PLERING PLAN



### CIRCUIT DIAGRAM



	G-Switch Electronic (HongKong) CO.,Ltd.		
	DESIGN FengFengChen	DATE 2019.05.29	Molde code:
Unless otherwise specified, Tolerance:	CHECKED	DATE	GT-TC072X-HXXX-LX
X. ±0.30	APPROVED	DATE	
X.x ±0.20	<a href="http://www.dg-switch.com">http://www.dg-switch.com</a>		REV.: X1
X.xx ±0.15	TEL:0769-82388879		SCALE: 4:1
X.xxx ±0.10			UNIT: mm
Angles ±3°			SIZE: A4
			SHEET: 1/1

### G-Switch Specification:

Operating temperature range -30 to+85  
 Rating 50mA.12V DC  
 Insulation resistance: 100MΩ min.100V DC  
 Dielectric strength 250V AC for 1 min  
 Contact resistance: 100m Ω max.  
 Travel:0.20±0.1mm