

### GT-TC045X-HXXX-LXX

**G-SWITCH**

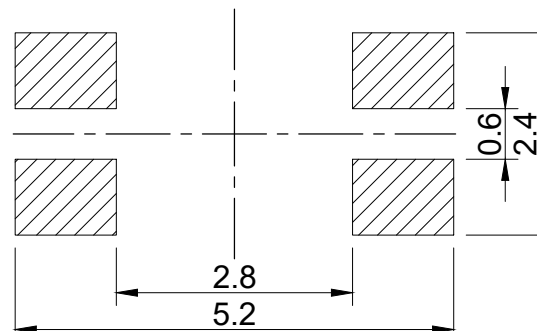
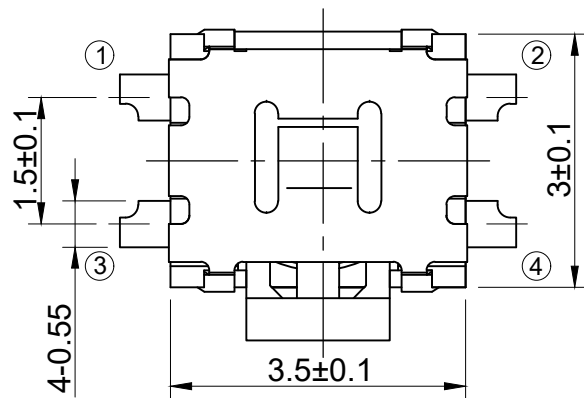
**Operating Force**

A=160gf  
B=250gf  
C=220gf

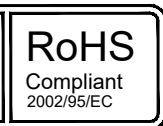
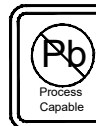
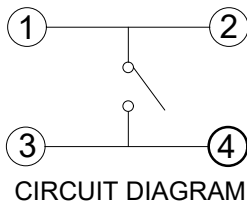
**Switch lifetime (Force)**  
A=Base With Pilot  
N=Non Pilot

**Switch Height (mm)**  
H036=3.6mm

**Switch lifetime (Force)**  
L1=100,000 Cycles



**P.C.B LAND DIMENSION**



### G-Switch Electronic (HongKong) CO.,Ltd.

Unless otherwise specified, Tolerance:  
X. ±0.30  
X.x ±0.20  
X.xx ±0.15  
X.xxx ±0.10  
Angles ±3°

DESIGN FengFengChen	DATE 2019.05.29	Molde code:	
CHECKED	DATE	GT-TC045X-HXXX-LXX	
APPROVED	DATE		
<a href="http://www.dg-switch.com">http://www.dg-switch.com</a>		REV.: X1	SCALE: 4:1
TEL:0769-82388879		UNIT: mm	
SIZE: A4	SHEET: 1/1		

**G-Switch Specification:**

Operating temperature range: -40°C to +85°C  
Rating: 50mA.12V DC  
Insulation resistance: 100MΩ min.100V DC  
Dielectric strength: 250V AC for 1 min  
Contact resistance: 100m Ω max.  
Travel: 0.25±0.1mm