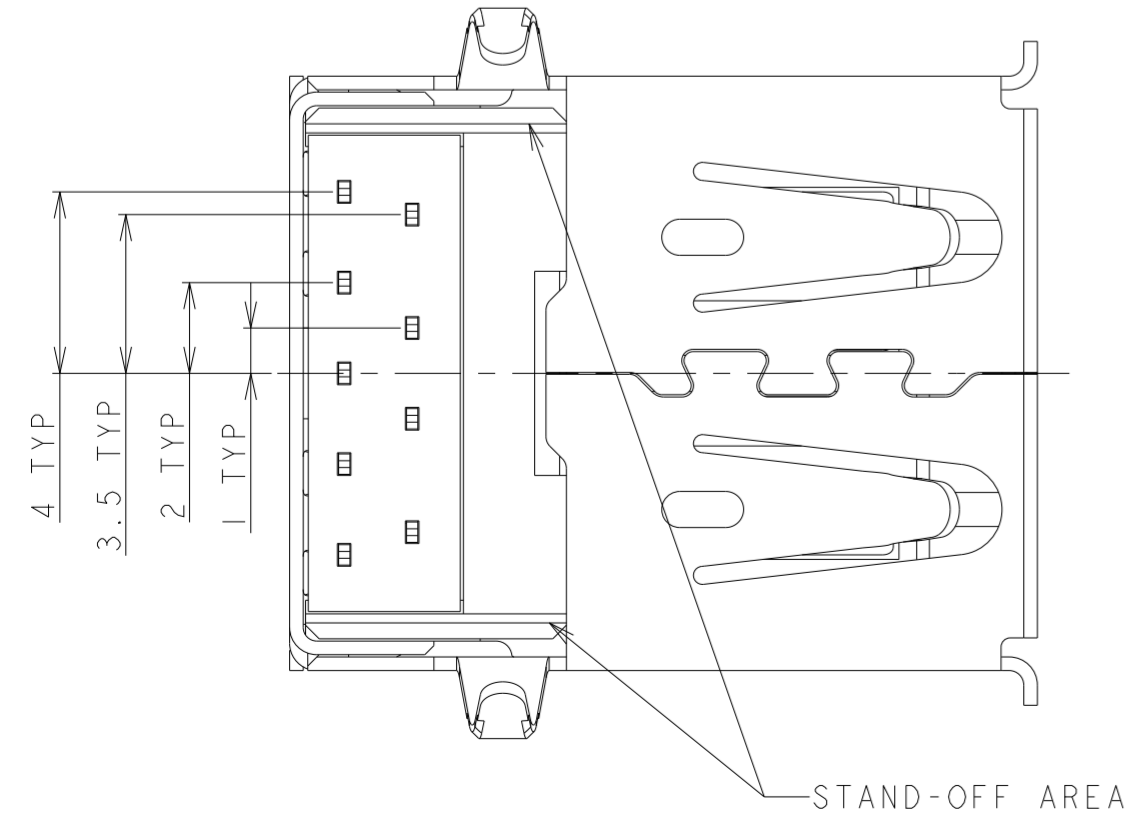
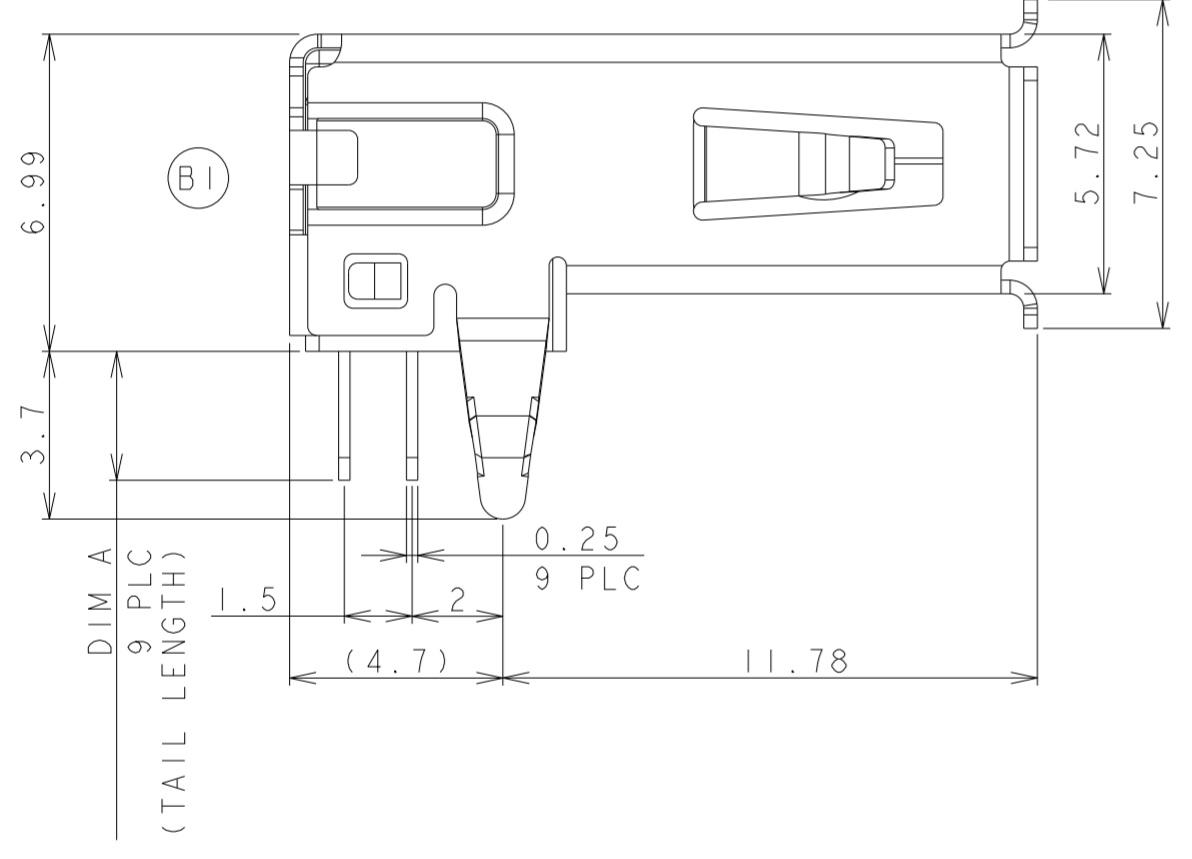
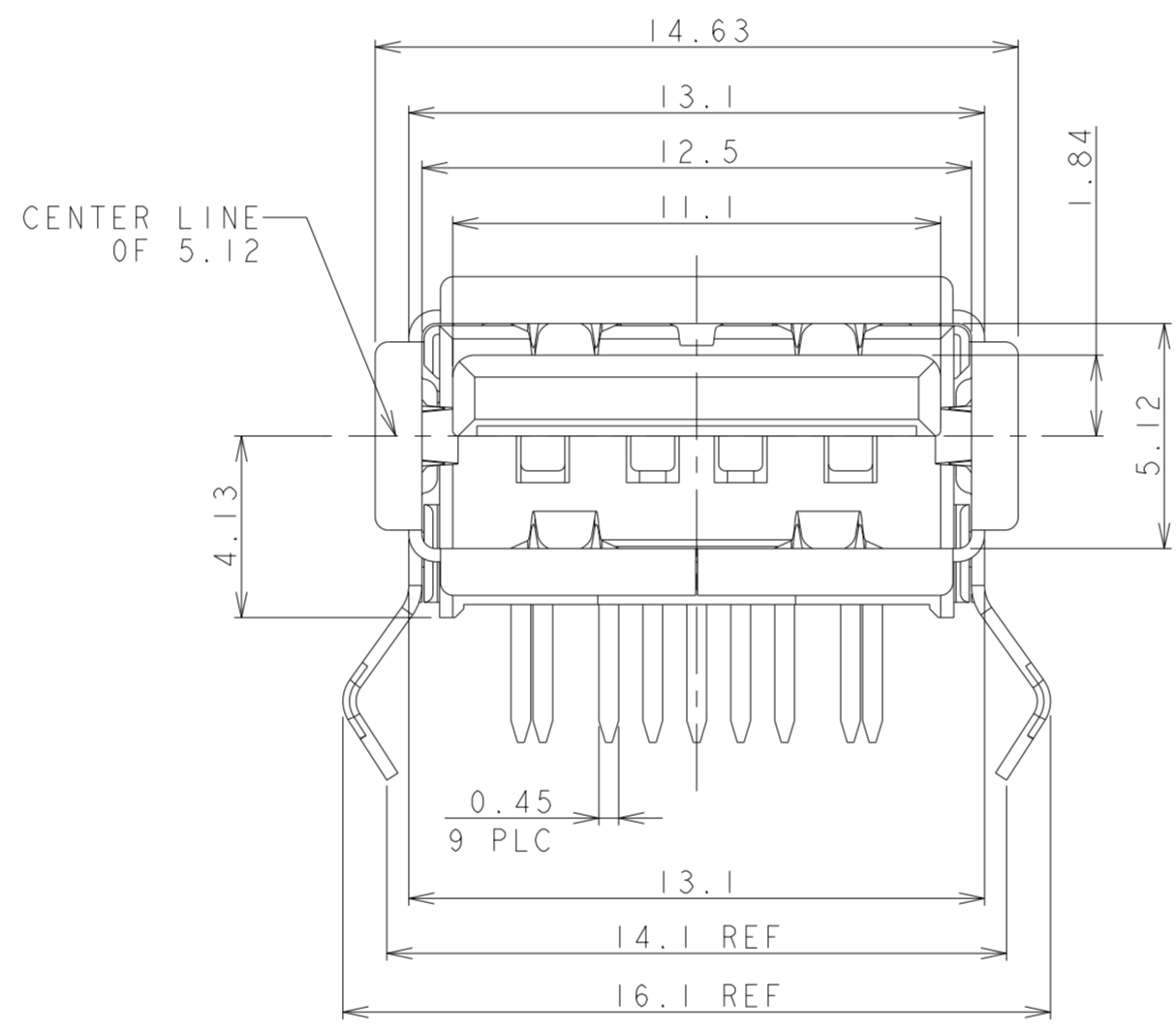
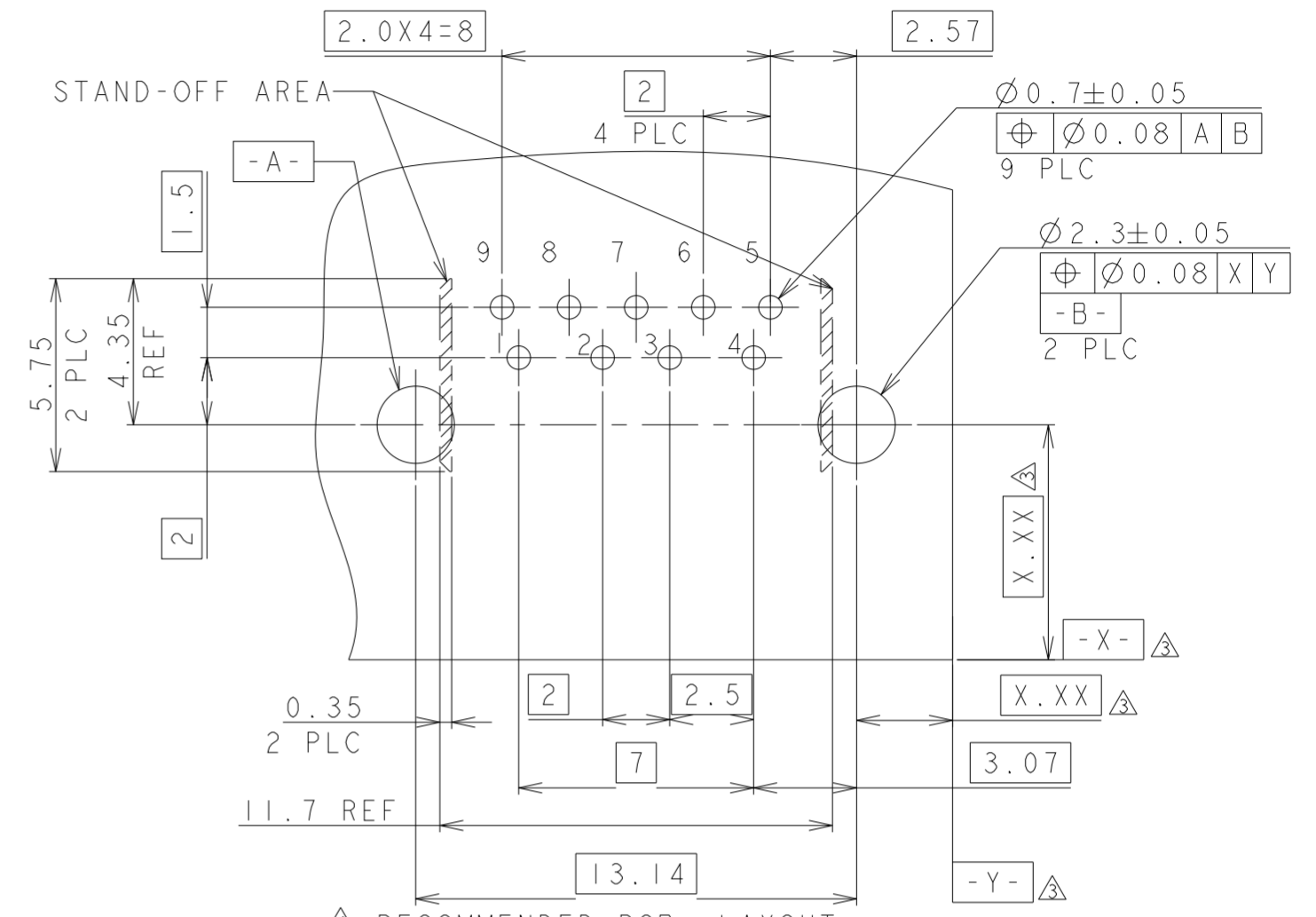
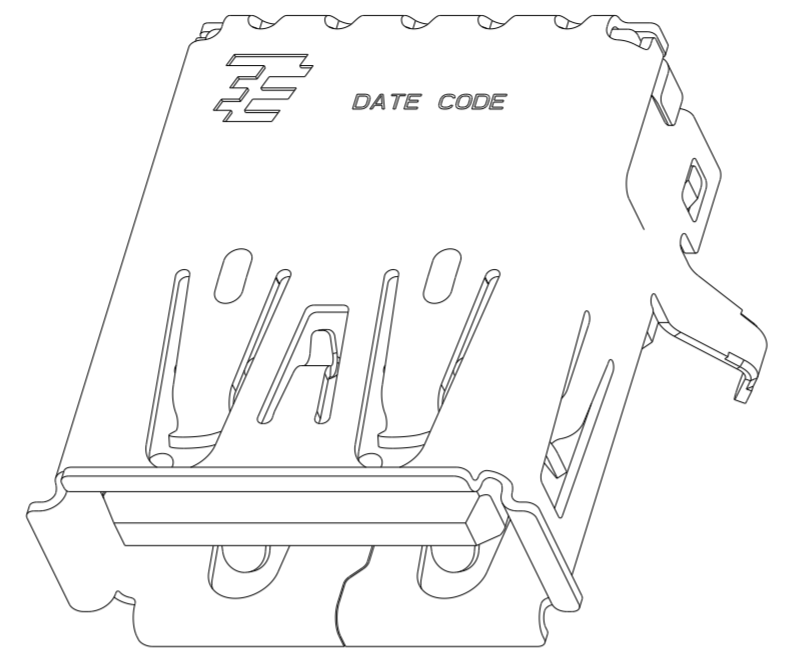
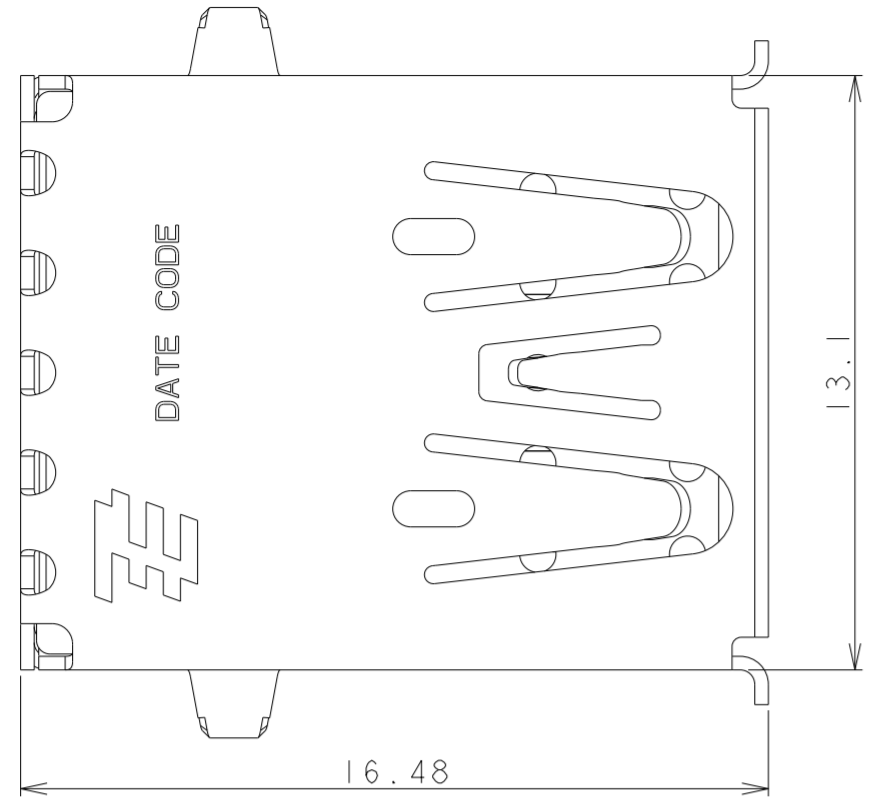


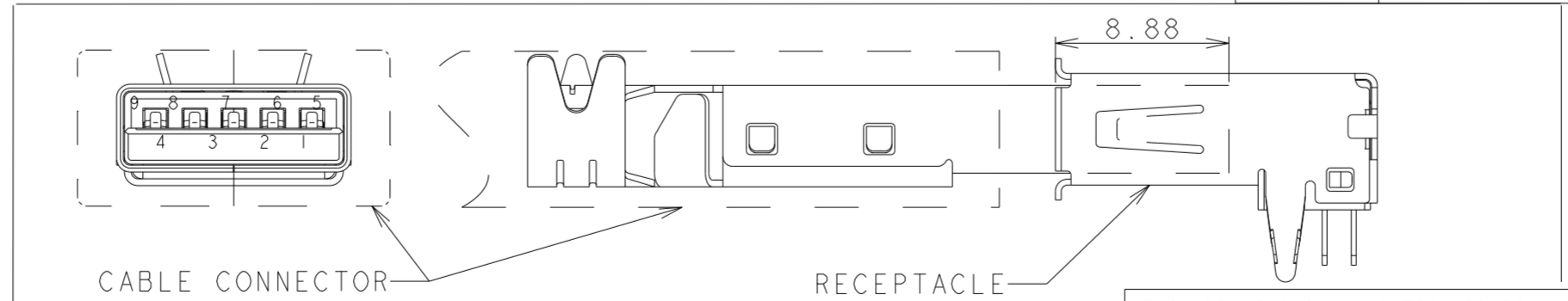
THIS DRAWING IS UNPUBLISHED. RELEASED FOR PUBLICATION 20
 © COPYRIGHT 20 ALL RIGHTS RESERVED.

LOC		DIST		REVISIONS			
P	LTR	DESCRIPTION	DATE	DWN	APVD		
ES	00						
	B	REVISED PER ECR-14-012319	18SEP2014	F.L	J.L		
	B1	REVISED PER ECR-15-014919	14OCT2015	T.Z	H.W		
	B3	REVISED PER ECR-17-010413	20JUL2017	T.Z	H.W		
	C	REVISED PER ECN-21-112090	06AUG2021	AK	SZ		



NOTE:
 △ MATERIAL:
 (B2) SHELL: STAINLESS STEEL
 CONTACT: COPPER ALLOY.
 HOUSING: THERMOPLASTIC, BLUE, UL94-HB.
 △ PLATING:
 CONTACT: GOLD FLASHED OVER 0.76um MIN Pd-Ni PLATING ON MATING AREA, 2.54um MIN MATTE TIN ON SOLDER TAILS, 1.27um MIN NICKEL UNDER PLATING.
 SHELL: TIN OVER NICKEL PLATING
 △ DATUM AND BASIC DIMENSIONS ESTABLISHED BY CUSTOMER
 △ RECOMMENDED PC BOARD THICKNESS OF 1.60.
 △ PLATING:
 CONTACT: 0.76um MIN GOLD PLATING ON MATING AREA, 2.54um MIN. MATTE TIN ON SOLDER TAILS, 1.27um MIN NICKEL UNDER PLATING.
 SHELL: TIN OVER NICKEL PLATING
 △ THIS PART IS PRELIMINARY.
 △ MATERIAL:
 (B2) SHELL: STAINLESS STEEL.
 CONTACT: COPPER ALLOY.
 HOUSING: THERMOPLASTIC, BLUE, UL94V-0.
 8. PIN ASSIGNMENT:

PIN NO.	1	2	3	4	5	6	7	8	9
SIGNAL NAME	VBUS	D-	D+	GND	STDA_SSRX-	STDA_SSRX+	GND_DRAIN	STDA_SSTX-	STDA_SSTX+
REMARK	USB 2.0 CONTACT PIN				USB 3.0 CONTACT PIN				



2.22	△ OR △	△	1932258-5
2.84	△	△	1-1932258-2
2.84	△	△	1932258-2
2.84	△	△	1-1932258-1
2.84	△ OR △	△	1932258-1
DIM A	FINISH	MATERIAL	PART NUMBER

THIS DRAWING IS A CONTROLLED DOCUMENT.

DIMENSIONS: mm	TOLERANCES UNLESS OTHERWISE SPECIFIED: 0 PLC ±0.25 1 PLC ±0.25 2 PLC ±0.25 3 PLC ± 4 PLC ± ANGLES ±3° FINISH	DWN: FRANCS, LEE 19SEP2010 CHK: MARTIN, LEE 19SEP2010 APVD: STEVEN, YAO 19SEP2010 PRODUCT SPEC: 108-115001 APPLICATION SPEC: 501-115002 WEIGHT: - Customer Drawing	NAME: STEVEN, YAO SIZE: A2 CAGE CODE: 0779 DRAWING NO: C-1932258 RESTRICTED TO: - SCALE: 2:1 SHEET: 1 OF 1 REV: C
----------------	---	--	--

STE TE Connectivity
 USB 3.0 TYPE A RECEPTACLE STANDARD TYPE