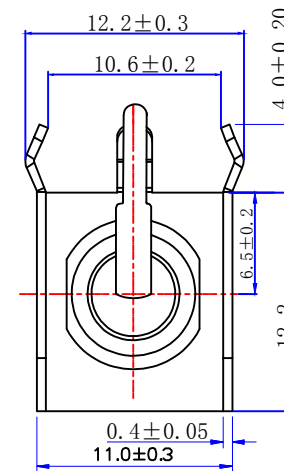
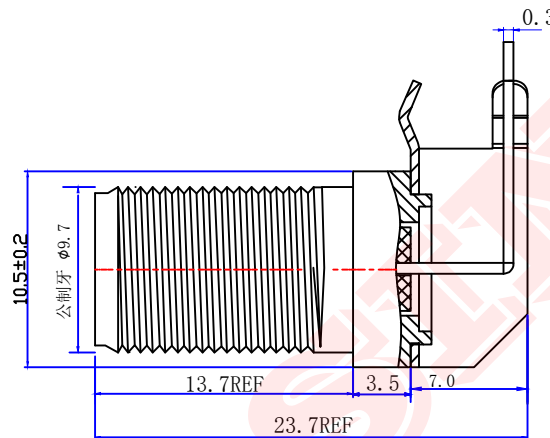
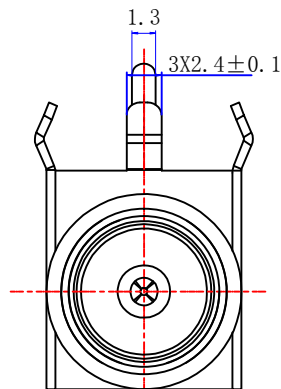


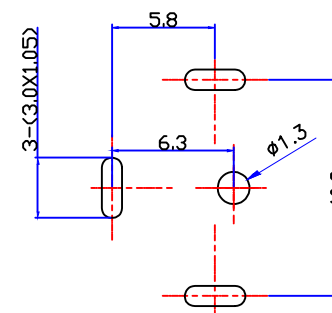


Product NO.		DOSIN-803-0456		
REV	DESCRIPTION	DWN	DATE	APPROVEN
A	First issue	W. cheng	2020/05/16	John kine
B	14.7修改为13.7,10.0修改为12.2	W. cheng	2020/06/15	John kine



**Specification:**

- VSWR:1.3MAX
- Frequency range:DC~3G
- Working Voltage:500V rms @ sea level
- Insulation resistance:5000 Ohms min
- Temperature range:-55°C TO +155°C
- Relative temperature:≤95%(40° C±2° C)
- Drawings products are in line with ROHS standards.



Recommended P.C.B. Layoue

1	BODY-00001-NI-0	Brass	NICKEL	1
2	PIN-00001-0	Brass	Tin plating	1
3	Insulator-00001-0	PPS	BROWN	1
4	Fixed foot	Brass	NICKEL	1
5				
6				
7				
8				
9				
10				
NO	Component Number	Material	Finish	QTY

NOTE:	Tolerance	0-6 ±0.2 6-30 ±0.3 30-120 ±0.5 Angular ±2°
DRAWN W. cheng	View	
CHECKED	UNIT	MM
APPROVALS John	SCALE	1:1

<b>Dosin Industrial(H.K)Co.Ltd</b> 东莞市德索五金电子制品有限公司 <b>Dosin Hardware Electronics Co.,Ltd</b>		E-mail:dosin2005@163.com dosin2005@dosing-china.com Web:http://www.china-guan.com TEL:(0086)769-81153906 FAX:(0086)769-81875836	
Name: F JACK CONNECTOR			
SIZE A	Product NO. DOSIN-803-0456公制	REV A	
DateTime 2020/05/16	CAD FILE D/company drawings/BD	SHEET: 1 OF 1	