

General Description

SY8705B is a high efficiency step down regulator capable of driving 3A white LED from up to 30V input. It integrates the low R_{ON} MOSFET and internal compensation. The 1MHz switching frequency allows the use of very small inductor.

Ordering Information

SY8705

└─ Temperature Code
└─ Package Code
└─ Optional Spec Code

Ordering Number	Package type	Note
SY8705BFCC	SO8E	3A

Features

- Wide Input Range: 2.5-30 V
- 1 MHz Switching Frequency
- Very Low R_{ON} : 100m Ω
- Enable and Dimming Control Available
- 20kHz~1MHz Wide Dimming Frequency Range
- Compact Package: SO8E
- RoHS Compliant and Halogen Free

Applications

- Flash Light
- Display Cabinet Lamp
- LED Sign

Typical Applications

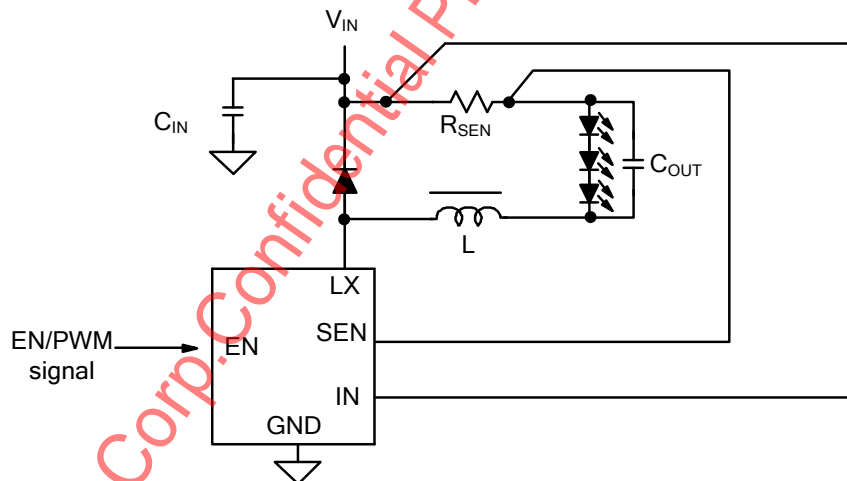
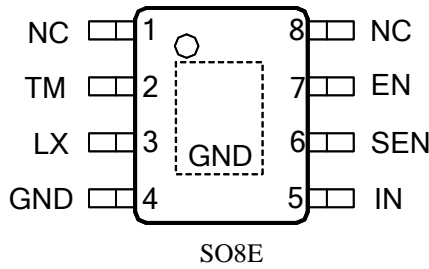


Figure 1. Schematic diagram

Pinout (top view)



Top Mark: BSRxyz (device code: BSR, *x=year code, y=week code, z=lot number code*)

Pin Name	SO8E	Pin Description
IN	5	Input pin. Decouple this pin to GND pin with 1uF ceramic cap. Also used as the positive current sense pin.
SEN	6	Negative Current Sense Pin.
GND	4	Ground pin
LX	3	Inductor node.
EN	7	Enable and dimming control. Pull high to turn on IC. The recommend dimming frequency range is 20kHz~1MHz.
TM	2	Test mode pin. Ground this pin in the real application.

Absolute Maximum Ratings (Note 1)

Supply Input Voltage	-----	33V
LX Voltage	-----	-0.3V ^(*) to 33V ^(*)
SEN	-----	$V_{IN} \pm 0.7V$
All other pins	-----	4V
Power Dissipation, PD @ TA = 25 °C SO8E,	-----	3.3W
Package Thermal Resistance (Note 2)		
θ_{JA}	-----	30 °C/W
θ_{JC}	-----	10 °C/W
Junction Temperature Range	-----	125 °C
Lead Temperature (Soldering, 10 sec.)	-----	260 °C
Storage Temperature Range	-----	-65 °C to 150 °C
(*) LX Voltage tested down to -3V<20ns		
(**) LX Voltage tested up to +36V<20ns		

Recommended Operating Conditions (Note 3)

IN, LX, EN	-----	2.5V to 30V
SEN	-----	$V_{IN} \pm 0.5V$
All other pins	-----	0-3.6V
Junction Temperature Range	-----	-40 °C to 125 °C
Ambient Temperature Range	-----	-40 °C to 85 °C

Electrical Characteristics

($V_{IN} = 5V$, $I_{OUT} = 100mA$, $T_A = 25^\circ C$ unless otherwise specified)

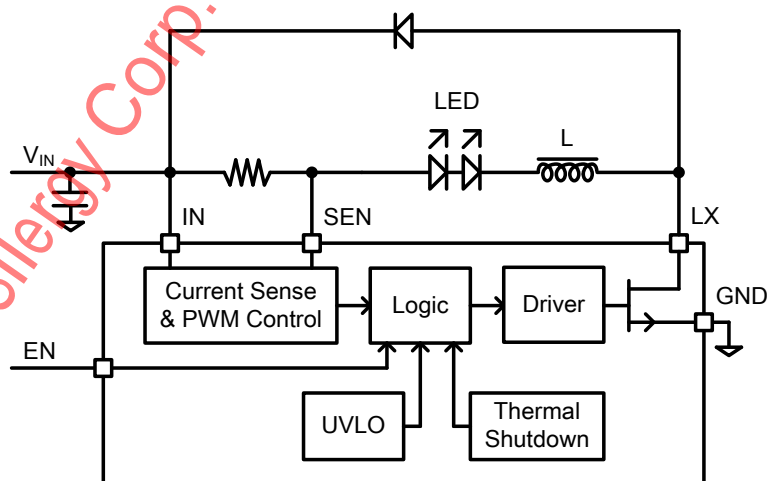
Parameter	Symbol	Test Conditions	Min	Typ	Max	Unit
Input Voltage Range	V_{IN}		2.5		30	V
Shutdown Current	I_{SHDN}	EN=0		5	10	μA
Low Side Main FET R_{ON}	$R_{DS(ON)1}$		90	100	135	m Ω
Main FET Current Limit	I_{LIM1}		4			A
Switching Frequency	F_{SW}		0.8	1	1.2	MHz
Current Sense Limit	V_{IN-SEN}		96	100	104	mV
10% Current Sense Limit	$V_{IN-SEN_{10\%}}$	$D_{PWM} = 10\%$ $F_{PWM} = 50KHz$ Guarantee by design	6	10	14	mV
EN Rising Threshold	V_{ENH}		1.5			V
EN Falling Threshold	V_{ENL}				0.4	V
IN UVLO Rising Threshold	$V_{IN_{UVLO}}$				2.5	V
UVLO Hysteresis	$V_{UVLO_{HYS}}$			0.1		V
Thermal Shutdown Temperature	T_{SD}			150		$^\circ C$
Max Duty Cycle				100		%
Min Duty Cycle				10		%

Note 1: Stresses listed beyond “Absolute Maximum Ratings” may cause permanent damage to the device. These are for stress ratings. Functional operation of the device at these or any other conditions beyond those indicated in the operational sections of the specifications is not implied. Exposure to absolute maximum rating conditions may remain possibility to affect device reliability.

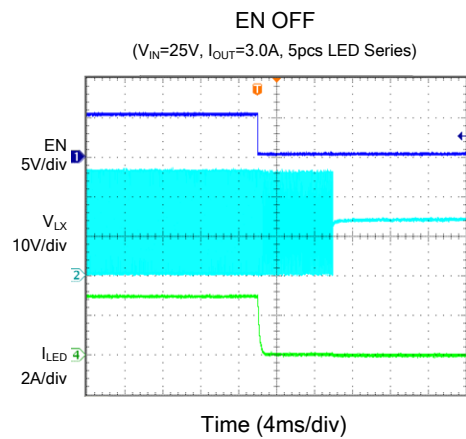
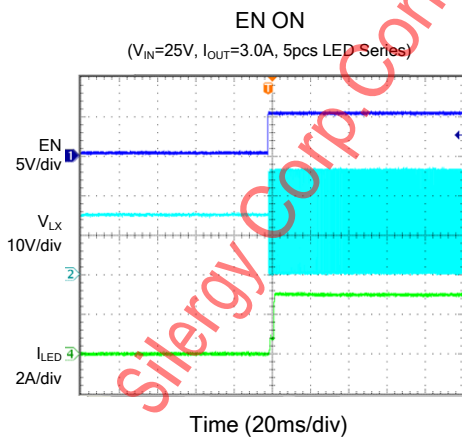
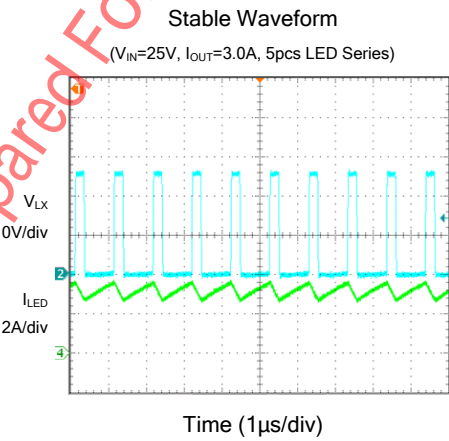
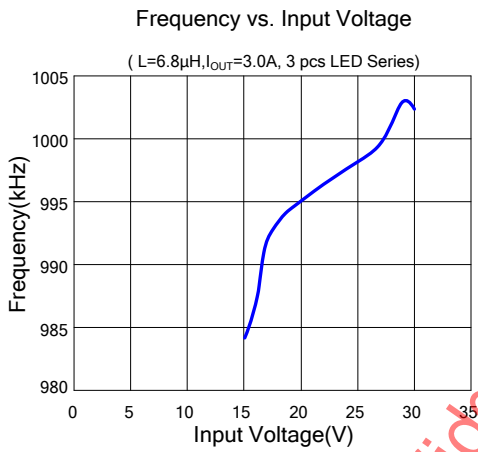
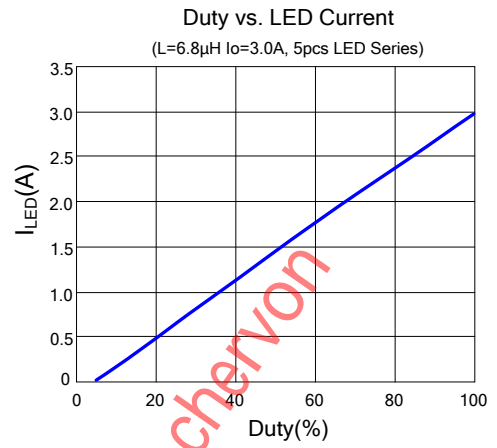
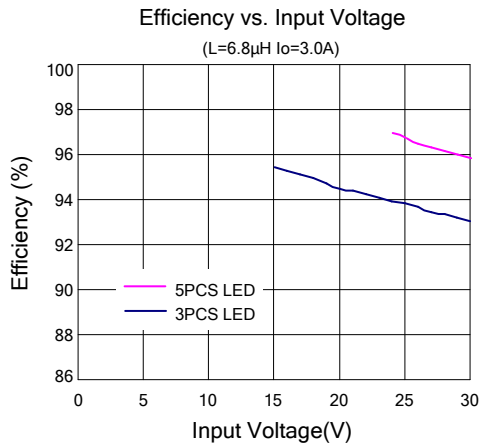
Note 2: θ_{JA} is measured in the natural convection at $T_A = 25^\circ C$ on a low effective single layer thermal conductivity test board of JEDEC 51-3 thermal measurement standard.

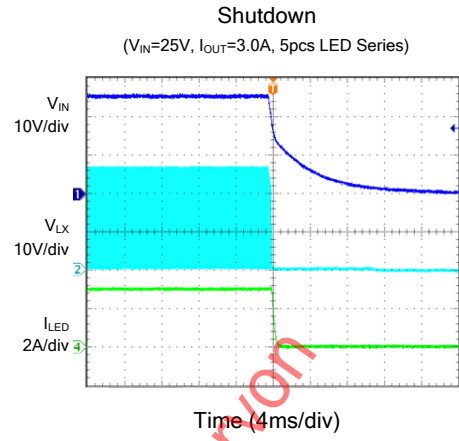
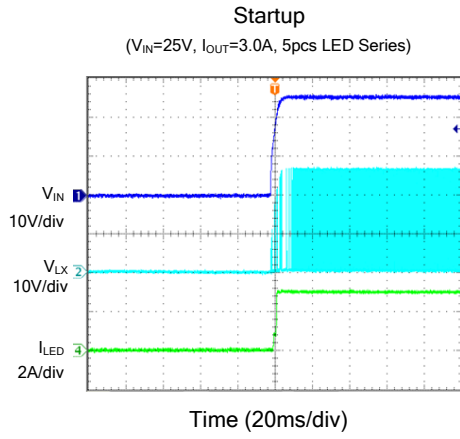
Note 3. The device is not guaranteed to function outside its operating conditions

Block Diagram



Typical Operation Characteristics





Silergy Corp. Confidential Prepared For cherron

Operation

SY8705B is a floating buck regulator IC that integrates the PWM control, power MOSFET on the same die to minimize the switching transition loss and conduction loss. With ultra low $R_{DS(ON)}$ power switches and proprietary PWM control, this regulator IC can achieve the high efficiency and the high switch frequency simultaneously to minimize the external inductor and capacitor size, and thus achieving the minimum solution footprint.

Applications Information

Because of the high integration in the IC, the application circuit based on this IC is rather simple. Only input capacitor C_{IN} , output capacitor C_{OUT} , output inductor L and current sense resistor R_{SEN} need to be selected for the targeted applications specifications.

Current sense resistor R_{SEN} :

Choose R_{SEN} to program the proper output Current:

$$I_{LED}(A) = \frac{0.1(V)}{R_{SEN}(\Omega)}$$

Input capacitor C_{IN} :

The ripple current through input capacitor is calculated as:

$$I_{CIN_RMS} = I_{OUT} \cdot \sqrt{D(1-D)}$$

A typical X7R or better grade ceramic capacitor with suitable capacitance should be chosen to handle this ripple current well. To minimize the potential noise problem, place this ceramic capacitor really close to the IN and GND pins. Care should be taken to minimize the loop area formed by C_{IN} , and IN/GND pins.

Output capacitor C_{OUT} :

The output capacitor is selected to handle the output current ripple noise requirements. For the best performance, it is recommended to use X7R or better grade ceramic capacitor greater than 1uF capacitance.

Output inductor L :

There are several considerations in choosing this inductor.

- 1) Choose the inductance to provide the desired ripple current. It is suggested to choose the ripple current to be about 40% of the maximum output current. The inductance is calculated as:

$$L = \frac{V_{OUT}(1 - V_{OUT}/V_{IN,MAX})}{F_{SW} \times I_{OUT,MAX} \times 40\%}$$

where F_{sw} is the switching frequency and $I_{OUT,MAX}$ is the LED current.

The SY8705B regulator IC is quite tolerant of different ripple current amplitude. Consequently, the final choice of inductance can be slightly off the calculation value without significantly impacting the performance.

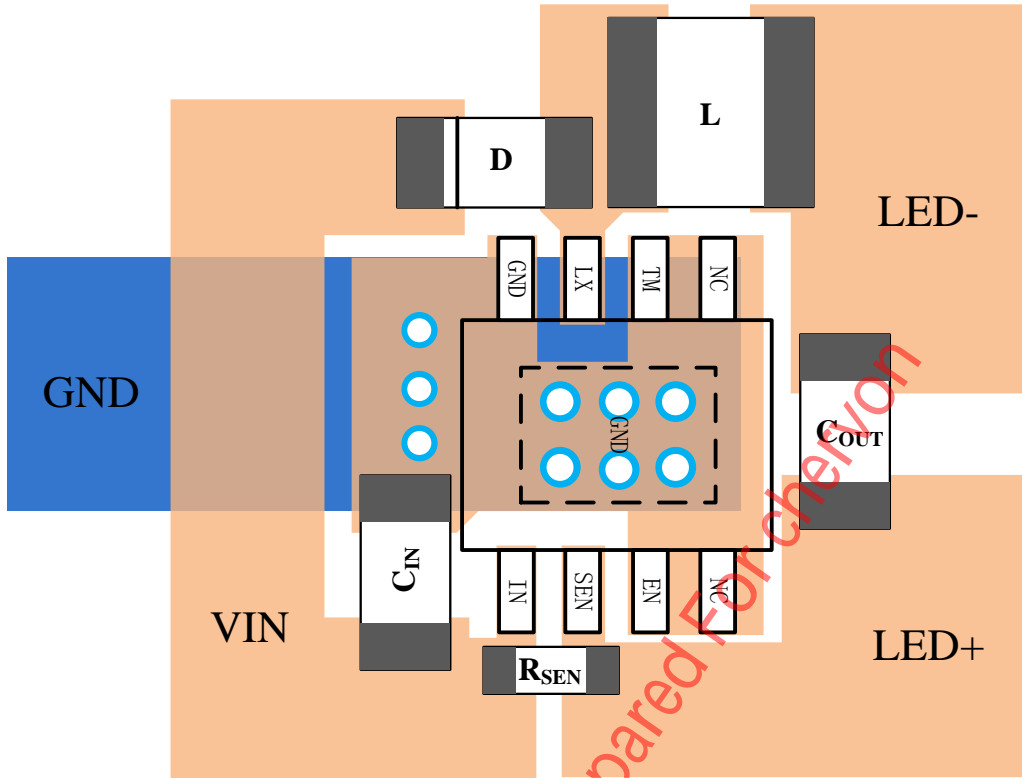
- 2) The saturation current rating of the inductor must be selected to be greater than the peak inductor current under full load conditions.

$$I_{SAT, MIN} > I_{OUT, MAX} + \frac{V_{OUT}(1 - V_{OUT}/V_{IN,MAX})}{2 \cdot F_{SW} \cdot L}$$

Layout Design:

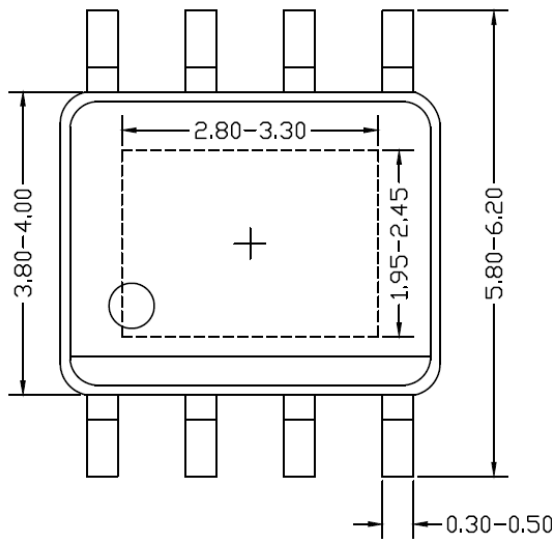
The layout design of SY8705B regulator is relatively simple. For the best efficiency and minimum noise problems, we should place the following components close to the IC: C_{IN} , L , C_{OUT} and R_{SEN} .

- 1) It is desirable to maximize the PCB copper area connecting to GND pin to achieve the best thermal and noise performance. If the board space allowed, a ground plane is highly desirable.
- 2) C_{IN} must be close to Pins IN and GND. The loop area formed by C_{IN} and GND must be minimized.
- 3) The PCB copper area associated with LX pin must be minimized to avoid the potential noise problem.

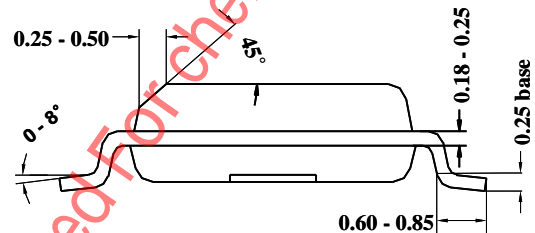


Silergy Corp. Confidential Prepared For Chevron

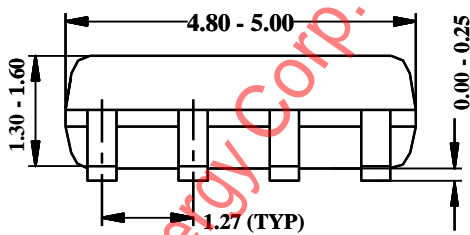
S08E Package Outline & PCB layout



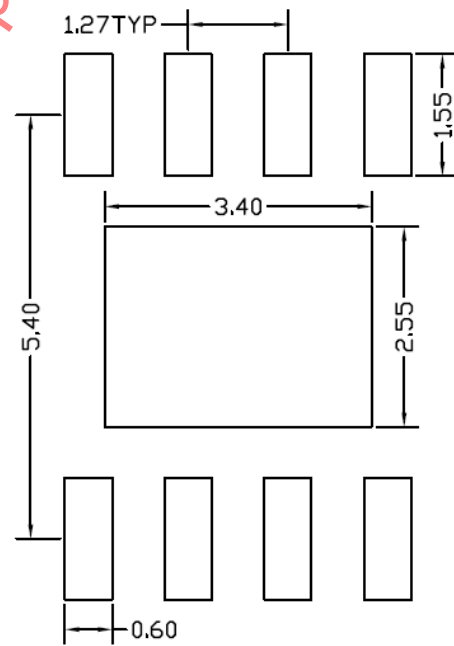
Top view



Side view



Front view

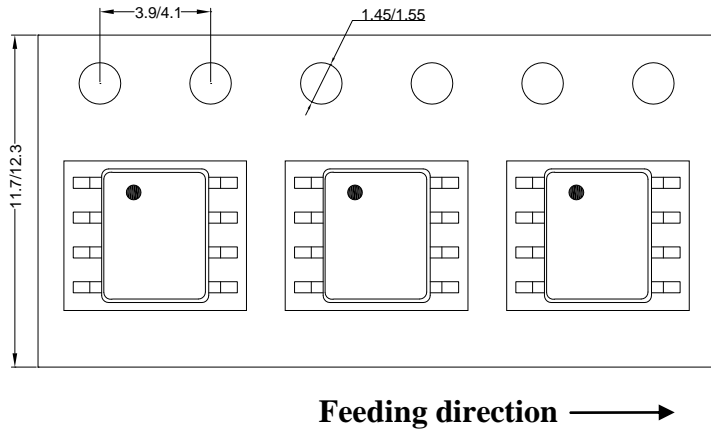


**Recommended PCB Layout
(Reference Only)**

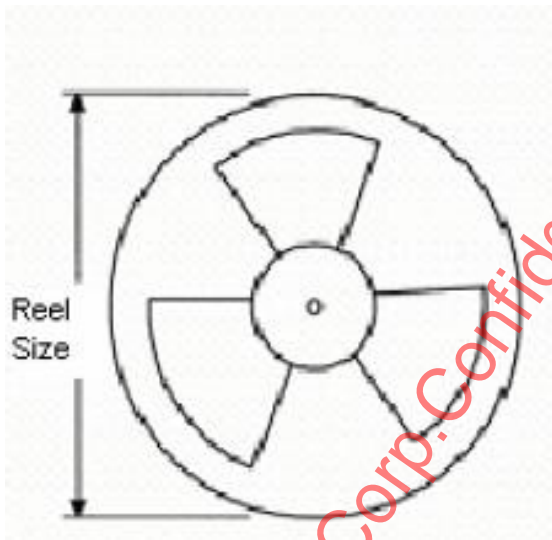
Notes: All dimension in millimeter and exclude mold flash & metal burr.

Taping & Reel Specification

1. SO8E taping orientation



2. Carrier Tape & Reel specification for packages



Package types	Tape width (mm)	Pocket pitch(mm)	Reel size (Inch)	Trailer length(mm)	Leader length (mm)	Qty per reel
SO8E	12	8	13"	400	400	2500

3. Others: NA

IMPORTANT NOTICE

- 1. Right to make changes.** Silergy and its subsidiaries (hereafter Silergy) reserve the right to change any information published in this document, including but not limited to circuitry, specification and/or product design, manufacturing or descriptions, at any time and without notice. This document supersedes and replaces all information supplied prior to the publication hereof. Buyers should obtain the latest relevant information before placing orders and should verify that such information is current and complete. All semiconductor products are sold subject to Silergy's standard terms and conditions of sale.
- 2. Applications.** Application examples that are described herein for any of these products are for illustrative purposes only. Silergy makes no representation or warranty that such applications will be suitable for the specified use without further testing or modification. Buyers are responsible for the design and operation of their applications and products using Silergy products. Silergy or its subsidiaries assume no liability for any application assistance or designs of customer products. It is customer's sole responsibility to determine whether the Silergy product is suitable and fit for the customer's applications and products planned. To minimize the risks associated with customer's products and applications, customer should provide adequate design and operating safeguards. Customer represents and agrees that it has all the necessary expertise to create and implement safeguards which anticipate dangerous consequences of failures, monitor failures and their consequences, lessen the likelihood of failures that might cause harm and take appropriate remedial actions. Silergy assumes no liability related to any default, damage, costs or problem in the customer's applications or products, or the application or use by customer's third-party buyers. Customer will fully indemnify Silergy, its subsidiaries, and their representatives against any damages arising out of the use of any Silergy components in safety-critical applications. It is also buyers' sole responsibility to warrant and guarantee that any intellectual property rights of a third party are not infringed upon when integrating Silergy products into any application. Silergy assumes no responsibility for any said applications or for any use of any circuitry other than circuitry entirely embodied in a Silergy product.
- 3. Limited warranty and liability.** Information furnished by Silergy in this document is believed to be accurate and reliable. However, Silergy makes no representation or warranty, expressed or implied, as to the accuracy or completeness of such information and shall have no liability for the consequences of use of such information. In no event shall Silergy be liable for any indirect, incidental, punitive, special or consequential damages, including but not limited to lost profits, lost savings, business interruption, costs related to the removal or replacement of any products or rework charges, whether or not such damages are based on tort or negligence, warranty, breach of contract or any other legal theory. Notwithstanding any damages that customer might incur for any reason whatsoever, Silergy' aggregate and cumulative liability towards customer for the products described herein shall be limited in accordance with the Standard Terms and Conditions of Sale of Silergy.
- 4. Suitability for use.** Customer acknowledges and agrees that it is solely responsible for compliance with all legal, regulatory and safety-related requirements concerning its products, and any use of Silergy components in its applications, notwithstanding any applications-related information or support that may be provided by Silergy. Silergy products are not designed, authorized or warranted to be suitable for use in life support, life-critical or safety-critical systems or equipment, nor in applications where failure or malfunction of an Silergy product can reasonably be expected to result in personal injury, death or severe property or environmental damage. Silergy assumes no liability for inclusion and/or use of Silergy products in such equipment or applications and therefore such inclusion and/or use is at the customer's own risk.
- 5. Terms and conditions of commercial sale.** Silergy products are sold subject to the standard terms and conditions of commercial sale, as published at <http://www.silergy.com/stdterms>, unless otherwise agreed in a valid written individual agreement specifically agreed to in writing by an authorized officer of Silergy. In case an individual agreement is concluded only the terms and conditions of the respective agreement shall apply. Silergy hereby expressly objects to and denies the application of any customer's general terms and conditions with regard to the purchase of Silergy products by the customer.
- 6. No offer to sell or license.** Nothing in this document may be interpreted or construed as an offer to sell products that is open for acceptance or the grant, conveyance or implication of any license under any copyrights, patents or other industrial or intellectual property rights. Silergy makes no representation or warranty that any license, either express or implied, is granted under any patent right, copyright, mask work right, or other intellectual property right. Information published by Silergy regarding third-party products or services does not constitute a license to use such products or services or a warranty or endorsement thereof. Use of such information may require a license from a third party under the patents or other intellectual property of the third party, or a license from Silergy under the patents or other intellectual property of Silergy.

For more information, please visit: www.silergy.com

© 2018 Silergy Corp.

All Rights Reserved.