

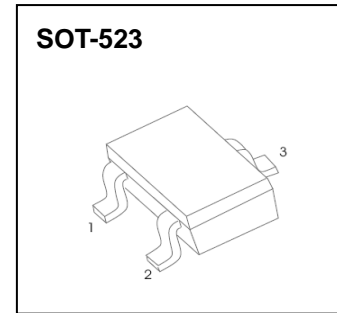


## SOT-523 Plastic-Encapsulate Diodes

### MMBD4448HT/HTA/HTC/HTS SWITCHING DIODE

#### FEATURES

- Fast Switching Speed
- For General Purpose Switching Applications
- High Conductance



MMBD4448HT	MMBD4448HTA	MMBD4448HTC	MMBD4448HTS
MARKING:A'	MARKING:A6	MARKING:A7	MARKING:AB

Solid dot = Green molding compound device, if none, the normal device.

#### Maximum Ratings and Electrical Characteristics, Single Diode @T<sub>a</sub>=25 °C

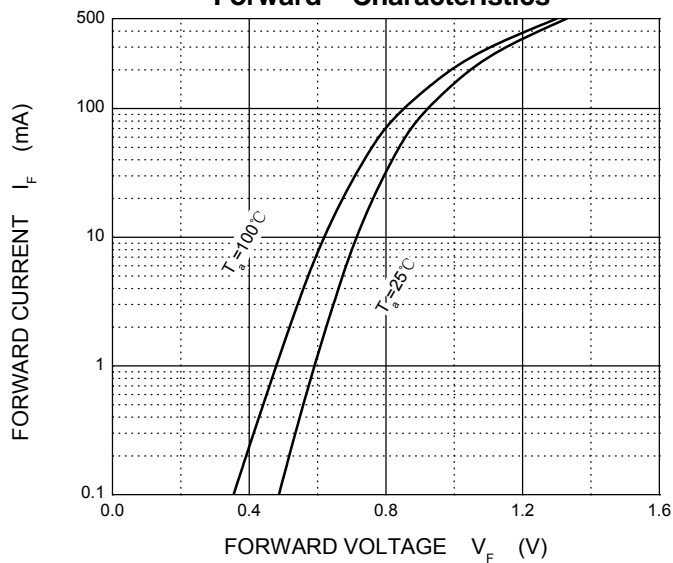
Parameter	Symbol	Limit	Unit
Non-Repetitive Peak Reverse Voltage	V <sub>RM</sub>	100	V
Peak Repetitive Peak Reverse Voltage	V <sub>RRM</sub>	80	V
Working Peak Reverse Voltage	V <sub>RWM</sub>		
DC Blocking Voltage	V <sub>R</sub>		
RMS Reverse Voltage	V <sub>R(RMS)</sub>	57	V
Forward Continuous Current	I <sub>FM</sub>	500	mA
Average Rectified Output Current	I <sub>O</sub>	250	mA
Non-Repetitive Peak Forward Surge Current @t=8.3ms	I <sub>FSM</sub>	2.0	A
Power Dissipation	P <sub>d</sub>	150	mW
Thermal Resistance from Junction to Ambient	R <sub>θJA</sub>	833	°C/W
Operation Junction and Storage Temperature Range	T <sub>J</sub> , T <sub>STG</sub>	-55 ~+150	°C

#### Electrical Ratings @T<sub>a</sub>=25°C

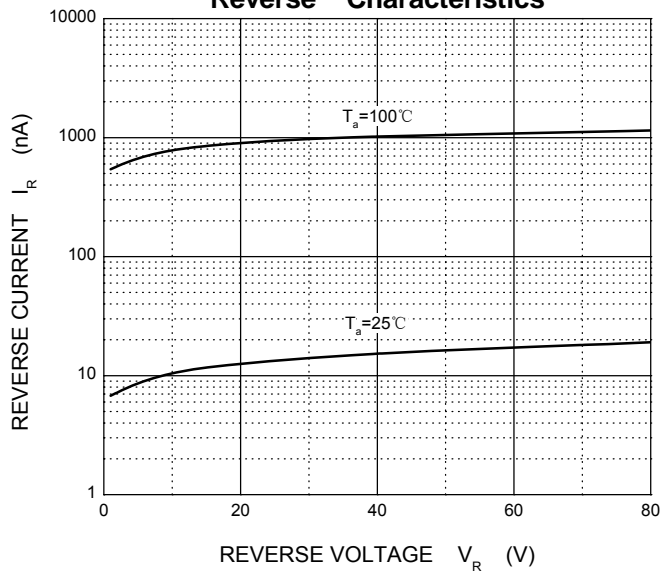
Parameter	Symbol	Min	Typ	Max	Unit	Conditions
Reverse breakdown voltage	V <sub>R</sub>	80			V	I <sub>R</sub> =2.5 μA
Forward voltage	V <sub>F1</sub>	0.62		0.72	V	I <sub>F</sub> =5mA
	V <sub>F2</sub>			0.855	V	I <sub>F</sub> =10mA
	V <sub>F3</sub>			1.0	V	I <sub>F</sub> =100mA
	V <sub>F4</sub>			1.25	V	I <sub>F</sub> =150mA
Reverse current	I <sub>R1</sub>			0.1	μA	V <sub>R</sub> =70V
	I <sub>R2</sub>			25	nA	V <sub>R</sub> =20V
Capacitance between terminals	C <sub>T</sub>			3.5	pF	V <sub>R</sub> =6V, f=1MHz
Reverse recovery time	t <sub>rr</sub>			4	ns	I <sub>F</sub> =I <sub>R</sub> =10mA I <sub>rr</sub> =0.1X I <sub>R</sub> , R <sub>L</sub> =100Ω

# Typical Characteristics

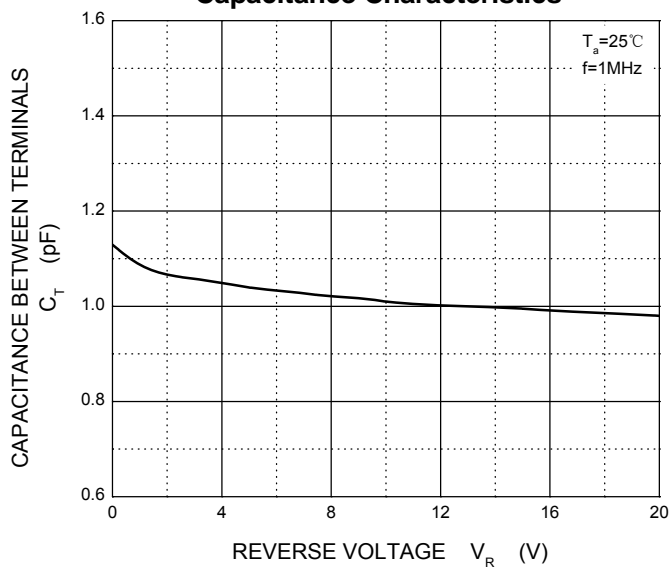
### Forward Characteristics



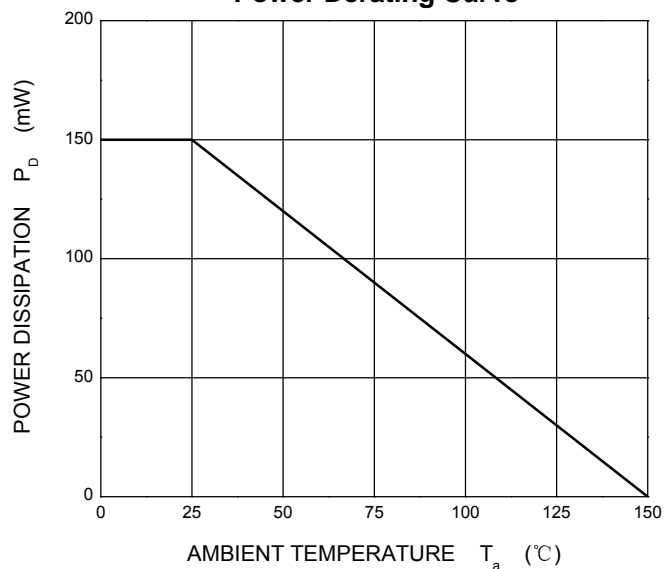
### Reverse Characteristics



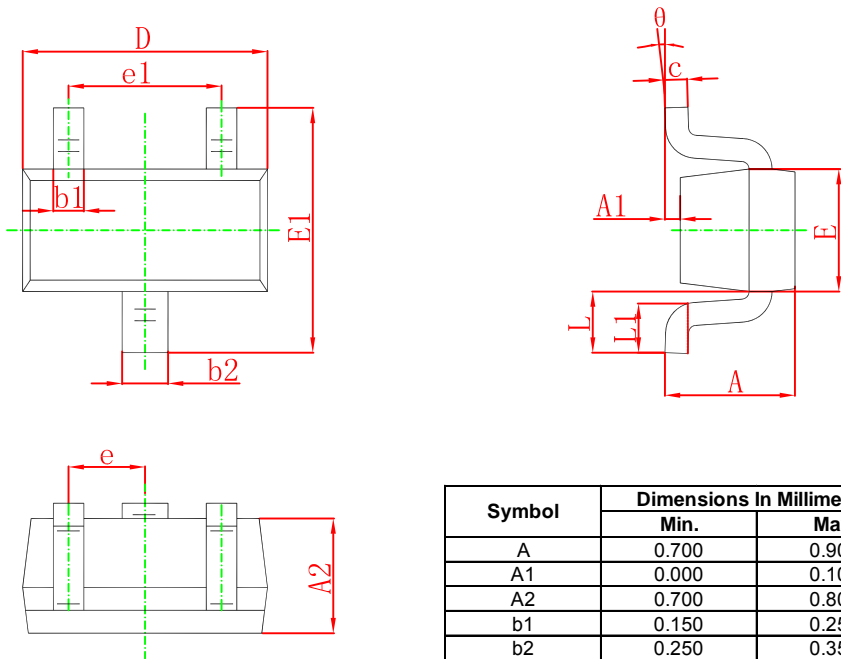
### Capacitance Characteristics



### Power Derating Curve



## SOT-523 Package Outline Dimensions



Symbol	Dimensions In Millimeters		Dimensions In Inches	
	Min.	Max.	Min.	Max.
A	0.700	0.900	0.028	0.035
A1	0.000	0.100	0.000	0.004
A2	0.700	0.800	0.028	0.031
b1	0.150	0.250	0.006	0.010
b2	0.250	0.350	0.010	0.014
c	0.100	0.200	0.004	0.008
D	1.500	1.700	0.059	0.067
E	0.700	0.900	0.028	0.035
E1	1.450	1.750	0.057	0.069
e	0.500 TYP.		0.020 TYP.	
e1	0.900	1.100	0.035	0.043
L	0.400 REF.		0.016 REF.	
L1	0.260	0.460	0.010	0.018
θ	0°	8°	0°	8°

## SOT-523 Suggested Pad Layout



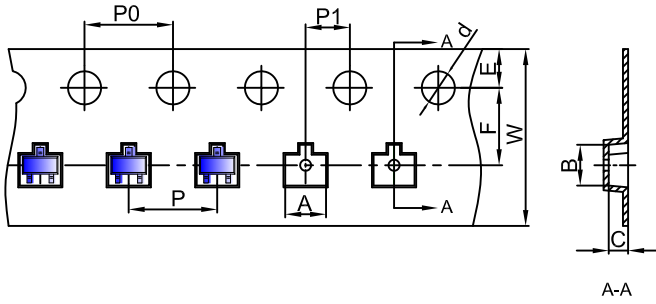
- Note:
1. Controlling dimension: in millimeters.
  2. General tolerance:  $\pm 0.05\text{mm}$ .
  3. The pad layout is for reference purposes only.

### NOTICE

JSCJ reserves the right to make modifications, enhancements, improvements, corrections or other changes without further notice to any product herein. JSCJ does not assume any liability arising out of the application or use of any product described herein.

# SOT-523 Tape and Reel

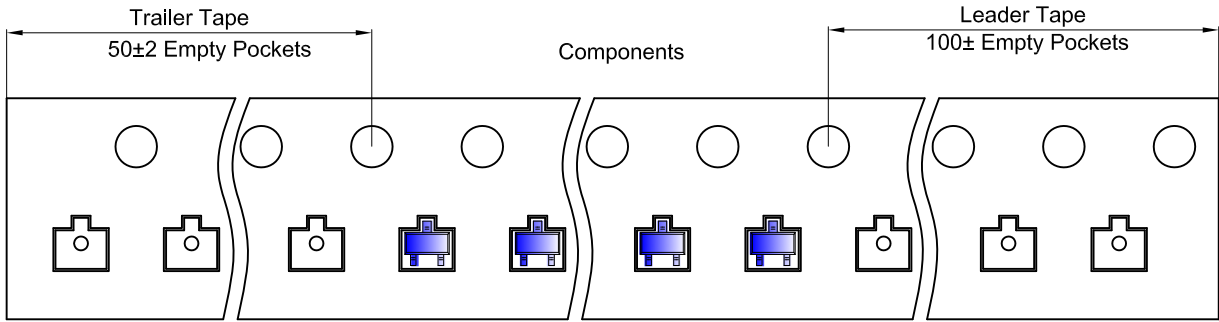
## SOT-523 Embossed Carrier Tape



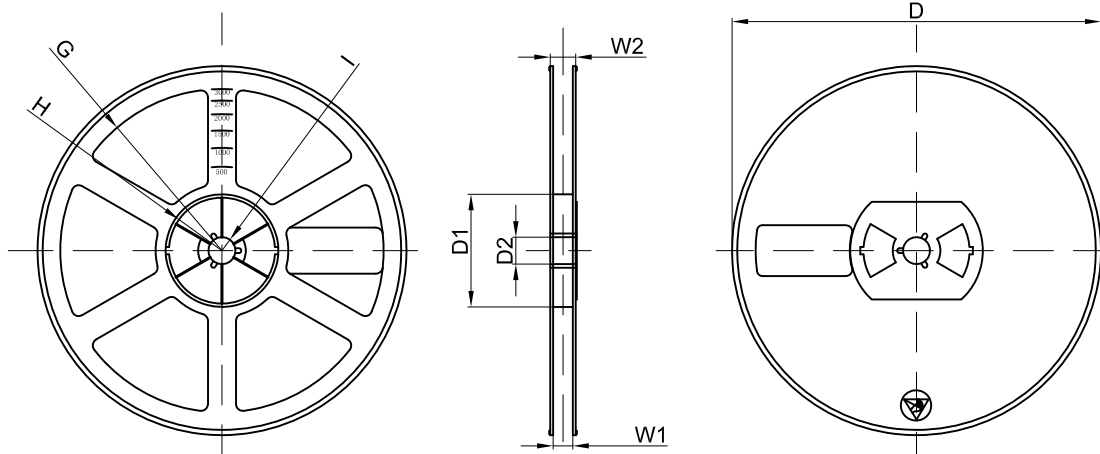
**Packaging Description:**  
 SOT-523 parts are shipped in tape. The carrier tape is made from a dissipative (carbon filled) polycarbonate resin. The cover tape is a multilayer film (Heat Activated Adhesive in nature) primarily composed of polyester film, adhesive layer, sealant, and anti-static sprayed agent. These reeled parts in standard option are shipped with 3,000 units per 7" or 17.8cm diameter reel. The reels are clear in color and is made of polystyrene plastic (anti-static coated).

Dimensions are in millimeter										
Pkg type	A	B	C	d	E	F	P0	P	P1	W
SOT-523	1.85	1.85	0.875	Ø1.50	1.75	3.50	4.00	4.00	2.00	8.00

## SOT-523 Tape Leader and Trailer



## SOT-523 Reel



Dimensions are in millimeter								
Reel Option	D	D1	D2	G	H	I	W1	W2
7" Dia	Ø178.00	54.40	13.00	R78.00	R25.60	R6.50	9.50	12.30

REEL	Reel Size	Box	Box Size(mm)	Carton	Carton Size(mm)	G.W.(kg)
3000 pcs	7 inch	45,000 pcs	203×203×195	180,000 pcs	438×438×220	