

ABB/ABB-A

6.3Ø x 32 mm

Super Fast-Acting Fuse



Agency Approvals

| Agency | Ampere Rating |
|--|---------------|
| Recognized Component for Canada and US | 1A - 30A |

Interrupting Rating

1A - 20A: 200 amperes at 500V AC/DC

20.1A - 30A: 100 amperes at 500V AC/DC

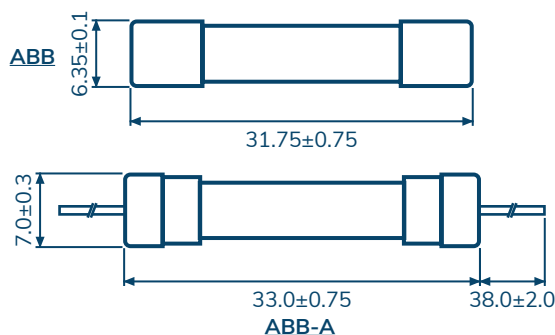
Product Characteristics

| | |
|------------------------------|--|
| Operating Temperature | -55 °C to 125 °C |
| Material | Body: Ceramic / Caps: Nickel Plated Brass |
| Leads Wire | Ø0.8 mm 12A and less. Ø1.0 mm for rating above 13A to 14A. Ø1.2 mm for rating above 15A. |

Packaging

| Packaging Option | Quantity |
|------------------|--|
| Bulk | ABB: 500 pcs / box ABB-A: 250 pcs / box |

Mechanical Dimensions (mm)



Electrical Characteristics

| Ampere Rating | Opening Time | | |
|---------------|--------------|---------|---------|
| | 1 In | 1.35 In | 2.5 In |
| | MIN | MAX | MAX |
| 1A - 15A | 4 hr | 120 sec | 0.2 sec |
| 15.1A - 30A | 4 hr | 300 sec | 3 sec |

| Catalog Number | Ampere Rating (A) | Voltage Rating (V) | Nominal Cold Resistance (Ohms) | Nominal Melting I ² t (A ² sec.) |
|------------------|-------------------|--------------------|--------------------------------|--|
| ABB / ABB-A 001 | 1A | 500V | 0.2399 | 1.1952 |
| ABB / ABB-A 1.60 | 1.6A | | 0.1149 | 2.3454 |
| ABB / ABB-A 002 | 2A | | 0.0840 | 3.8160 |
| ABB / ABB-A 005 | 5A | | 0.0503 | 12.667 |
| ABB / ABB-A 6.30 | 6.3A | | 0.0337 | 31.910 |
| ABB / ABB-A 010 | 10A | | 0.0195 | 98.280 |
| ABB / ABB-A 012 | 12A | | 0.0133 | 164.20 |
| ABB / ABB-A 015 | 15A | | 0.0108 | 253.53 |
| ABB / ABB-A 020 | 20A | | 0.0067 | 464.40 |
| ABB / ABB-A 025 | 25A | | 0.0041 | 1512.0 |
| ABB / ABB-A 030 | 30A | | 0.0036 | 1986.1 |