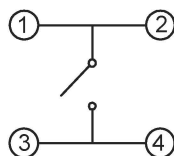


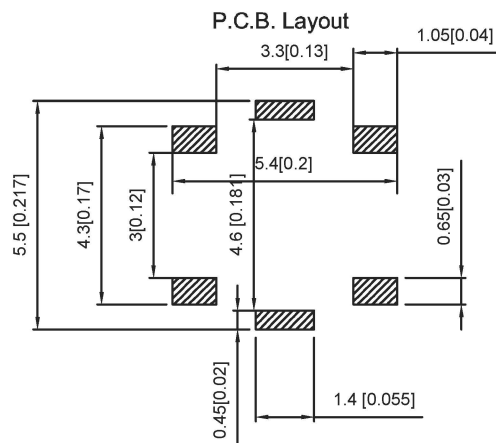
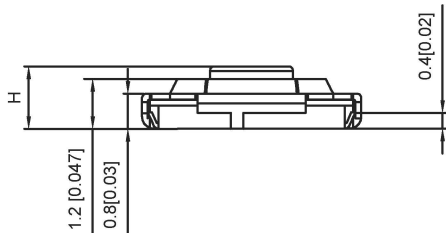
Circuit Diagram



Code-x	H
A	1.5
B	1.6
C	1.7
D	2.0
E	2.5
F	3.0
G	3.5
H	4.0
I	4.3
J	4.5
K	5.0

SPECIFICATION

Contact Rating: 50mA, 12V DC
 Contact Resistance: 100mΩ max
 Insulation Resistance: 100mΩ min. 500V DC
 Dielectric Strength: 250V AC/1minute
 Travel: 0.25mm
 Operating Temp: -30°C ~ +85°C
 Storage Temp: -30°C ~ +80°C



PAPT NO	TS-1187E-X-X-X
Operating Force	A:100gf B:160gf C:260gf
Height	Code-x
Keystake	A:PA46 B:Brass

⑤	Terminal	—	4	Brass (0.30t)	Plating silvering	—
④	Contact	—	1	F.ag/Sus	Natural	—
③	Base	—	1	Lcp	—	—
②	Cover	—	1	Brass	Plating Nickel	—
①	Keystake	—	1	Brass	—	—
ITEM	PAPT NAMF	TER,NO	QTY	MATERIAL	FINISHING	REMARK

广东星坤科技股份有限公司

生效日期

文件工程章

REVISIONS	DESCRIPTION	DATE	REVISED	APPROVED	UNSPECIFIED TOLERANCES

DSND		DATE		SCALE: N/A	MODEL TYPE: TACT SWITCH	
DWN		DATE		VIEW:	PART NO.:	
CHKD		DATE		UNIT: mm/in	DWG NO.: TS-1187E-X-X-X	
APPD		DATE		SIZE: A4		
XKB INDUSTRIAL PRECISION CO., LIMITED				WEIGHT	SHEET	REVISION
				1.0g	1/1	A0