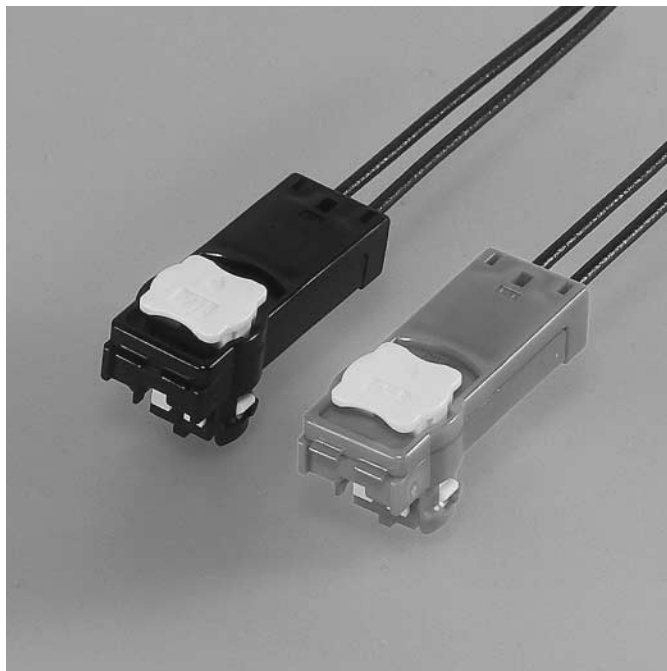


# SQS CONNECTOR

## Squib connectors



This connector for air-bag has intelligent CPA, which allows locking the connector, incomplete mating detection and release of short-circuit at the same time.

### Features

#### ●Mating

Intelligent CPA adopted. It enables the connector to be locked securely and prevents incomplete mating on the assembly line resulting in improved connector retention force.

#### ●Terminal construction

It is designed to prevent the deformation of the contact part when processing wire harness by protecting the contact part of each terminal with a box.

#### ●Scooping (kojiri) preventive construction

Using a shunt ring with a countermeasure for scooping (kojiri), the resistance to scooping (kojiri) insertion and withdrawal is improved.

#### ●Noise suppression

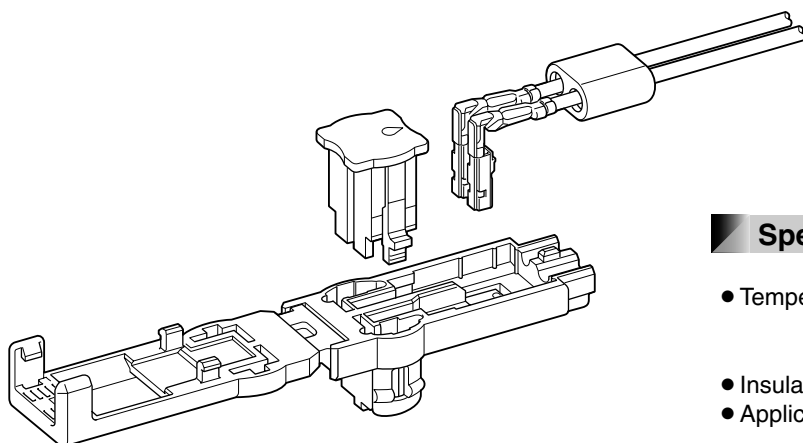
Ferrite core provides simple and reliable noise suppression characteristics.

#### ●Two types of CPA housing

1A type: Normal type

2A type: CPA housing has the jig tool insertion part in a tail part in order to easily connector disassembly operation with a jig tool such as drivers.

- \* They are selectable by usage and installed place of connector.
- \* Contact JST for details.



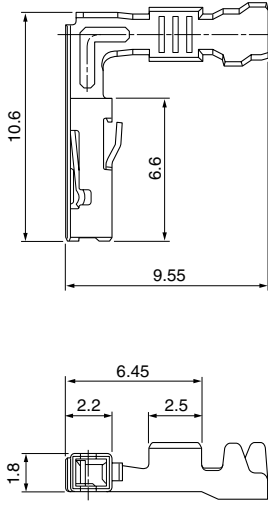
### Specifications

- Temperature range:  $-30^{\circ}\text{C}$  to  $+80^{\circ}\text{C}$   
(including temperature rise in applying electrical current)
- Insulation resistance: 100 M $\Omega$  min.
- Applicable wire: 0.3 mm<sup>2</sup> to 0.5 mm<sup>2</sup>

- \* Compliant with ELV/RoHS.
- \* Contact JST for details.

# SQS CONNECTOR

## Female terminal

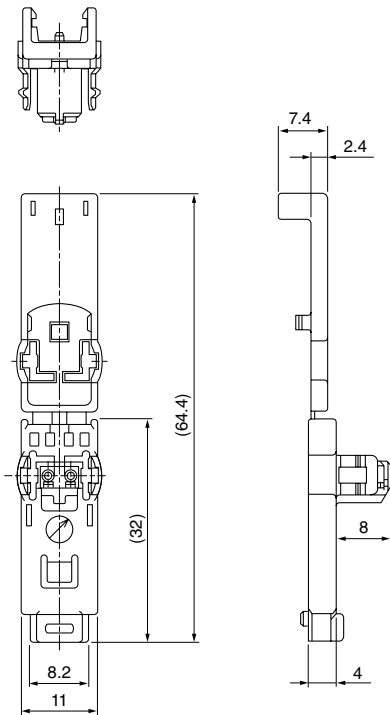


Model No.	Applicable wire range		Q ty/reel
	Conductor (mm <sup>2</sup> )	Insulation O.D. (mm)	
<b>SQS-A03GF-P-P</b>	0.3 to 0.5	1.0 to 1.6	6,500
<b>SQS-A03GI-P-P</b>	0.3 to 0.5	1.0 to 1.6	6,500

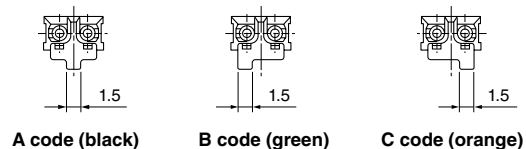
### Material and Finish

GF: Copper alloy, nickel-undercoated,  
Contact area; gold-plated (0.4 μm min.)  
GI: Copper alloy, nickel-undercoated,  
Contact area; gold-plated (0.8 μm min.)

## Female housing



### • Keying figure



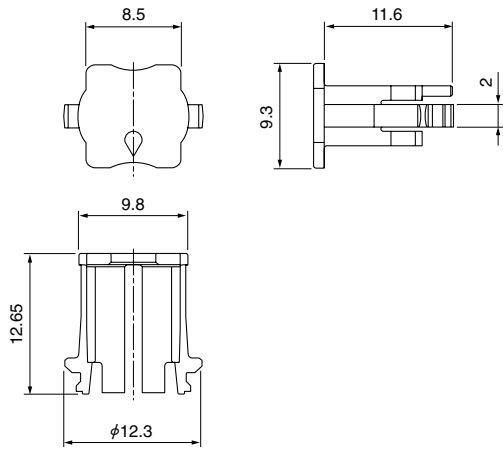
Circuits	Model No.	Keying figure	Q ty/box	Color
2	<b>SQSR-02H-1A-K</b>	A code	1,000	Black
	<b>SQSR-02H-1B-M</b>	B code	1,000	Green
	<b>SQSR-02H-1C-D</b>	C code	1,000	Orange

### Material

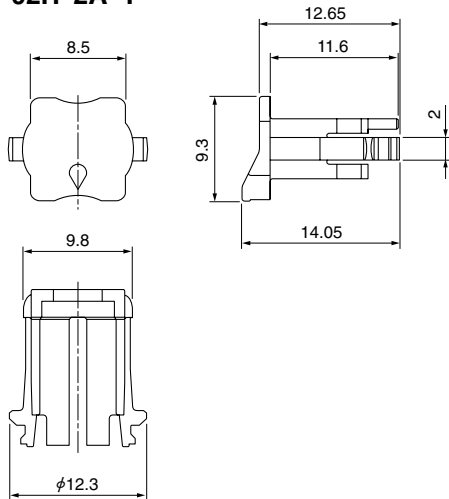
PBT

## CPA housing

### • SQSC-02H-1A-Y

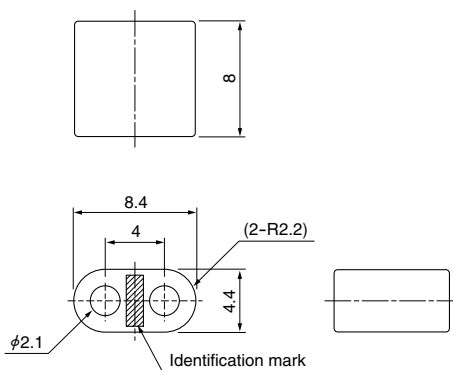


### • SQSC-02H-2A-Y



Circuits	Model No.	Q ty/box	Color
2	<b>SQSC-02H-1A-Y</b>	2,000	Yellow
	<b>SQSC-02H-2A-Y</b>	2,000	Yellow
Material			
Glass-filled PBT			

## Ferrite



Circuits	Model No.	Q ty/box
2	<b>SQSF-02-1A</b>	3,000

## Crimping machine, Applicator

Strip terminal	Crimping machine	Crimp applicator MKS-L	
		Dies	Crimp applicator with dies
<b>SQS-A03GF-P-P</b>	AP-K2N	MK/SQS-A03-P	APLMK SQS-A03-P
<b>SQS-A03GI-P-P</b>			

Note: When crimping operation is conducted using an applicator and die set other than the above, JST cannot guarantee the performance of the terminal.