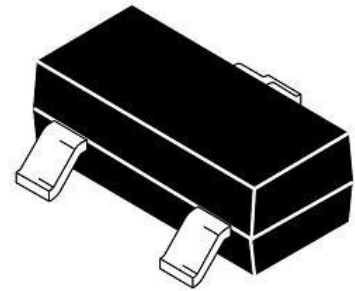


APPLICATIONS

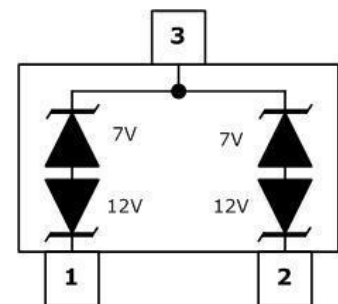
- Protection of RS-485 transceivers with extended common-mode range.
- Security systems.
- Automatic Teller Machines.
- HFC systems.
- Networks.



SOT-23

MECHANICAL CHARACTERISTICS

- JEDEC SOT-23 Package.
- Molding Compound Flame mability Rating: UL 94V-O.
- Weight 8.0 Milligrams (Approximate).
- Quantity Per Reel: 3000pcs.
- Reel Size: 7inch.
- Lead Finish: Lead Free.



PIN CONFIGURATION

IEC COMPATIBILITY

- IEC61000-4-2(ESD) ±15KV(air), ±8KV(contact).
- IEC61000-4-4(EFT) 40A (5/50_{ns}).
- IEC61000-4-5(Lightning) 12A (8/20_{μs}).

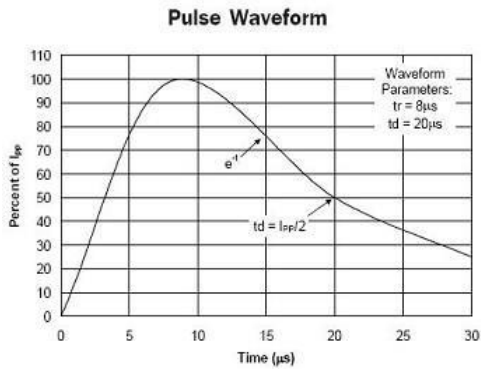
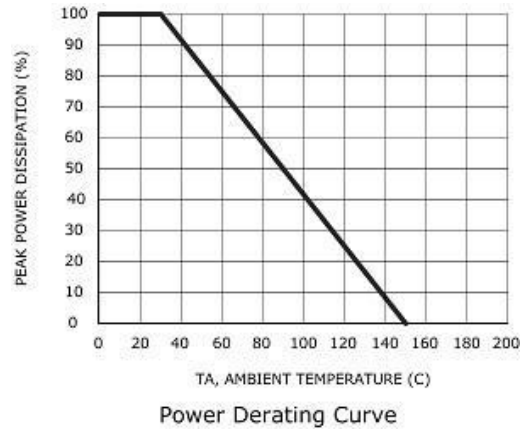
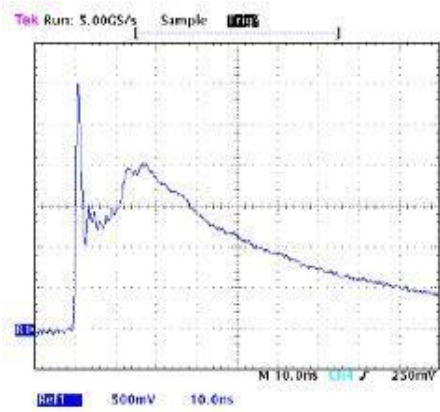
FEATURES

- 400 Watts Peak Pulse Power per Line (tp=8/20_{μs}).
- Protect two +12V to -7V lines.
- Low clamping voltage.
- RoHS Compliant.

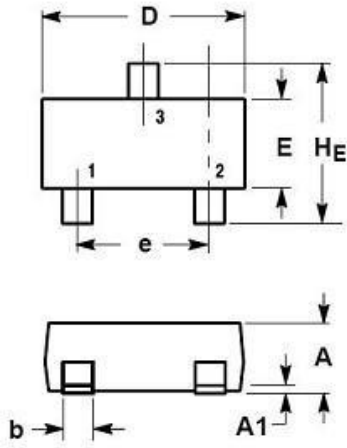
DEVICE CHARACTERISTICS

MAXIMUM RATINGS (@25°C Unless Otherwise Specified)			
PARAMETER	SYMBOL	VALUE	UNITS
Peak Pulse Power (tp=8/20 _{μs} waveform)	P _{PP}	400	Watts
Lead Soldering Temperature	T _L	260(10sec)	°C
Operating Temperature Range	T _J	-55 to + 150	°C
Storage Temperature Range	T _{STG}	-55 to + 150	°C

ELECTRICAL CHARACTERISTICS PER LINE (@25°C Unless Otherwise Specified)										
PART NUMBER	DEVICE MARKING		VRWM	VB	IT	VC	VC		IR	CT
			(V) (max.)	(V) (min.)	(mA)	@5A (max.)	(max.)(@A)		(μ A) (max.)	(pF) (typ)
SM712	712	Pin 3 to Pin 1/ Pin2	7	7.5	1	10	12	17	10	55
		Pin 1/ Pin2 to Pin3	12	13.3	1	20	26	17	1	55



SOT-23 PACKAGE OUTLINE & DIMENSIONS



DIM	MILLIMETERS			INCHES		
	MIN	NOM	MAX	MIN	NOM	MAX
A	0.89	1.00	1.11	0.035	0.040	0.044
A1	0.01	0.06	0.10	0.001	0.002	0.004
b	0.37	0.44	0.50	0.015	0.018	0.020
c	0.09	0.13	0.18	0.003	0.005	0.007
D	2.80	2.90	3.04	0.110	0.114	0.120
E	1.20	1.30	1.40	0.047	0.051	0.055
e	1.78	1.90	2.04	0.070	0.075	0.081
L	0.35	0.54	0.69	0.014	0.021	0.029
HE	2.10	2.40	2.64	0.083	0.094	0.104

SOLDERING FOOTPRINT

