

**承 认 书**  
**SPECIFICATION FOR APPROVAL**

客 户Customer: \_\_\_\_\_

产品名称Project: FPC排线 \_\_\_\_\_

规格型号Part No: AB03A0100000038A \_\_\_\_\_

贵公司承认印 Approval signatures

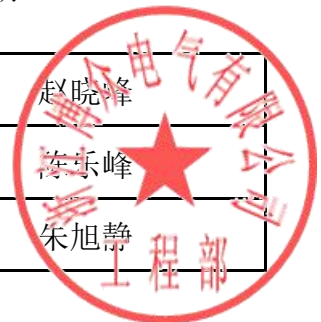
| 料 号/Part No. | 签 章/Signatures |
|--------------|----------------|
|              |                |

Send us a copy of reference, thank you!

日期 Date:

地址: 浙江省乐清市虹桥镇仙垟陈工业区  
Add: Xianyangchen Industry Zone Hongqiao  
Yueqing Zhejiang  
电话/Tel: 86-0577-57573366  
传真/Fax: 86-0577-57573373  
Http://www.cnbozhong.com  
Alibaba: Http://dezhimei.cn.alibaba.com

|             |     |
|-------------|-----|
| 拟制/Drawn    | 赵晓峰 |
| 审核/Check    | 陈东峰 |
| 批准/Approved | 朱旭静 |



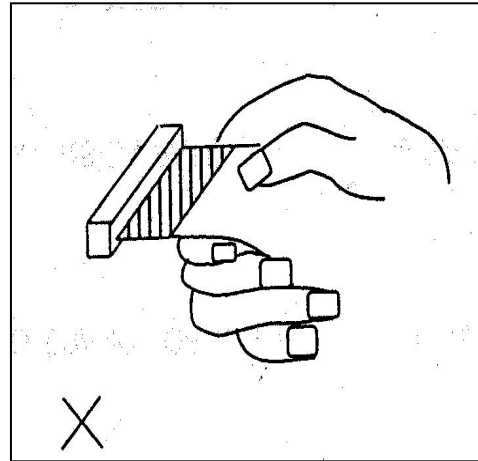
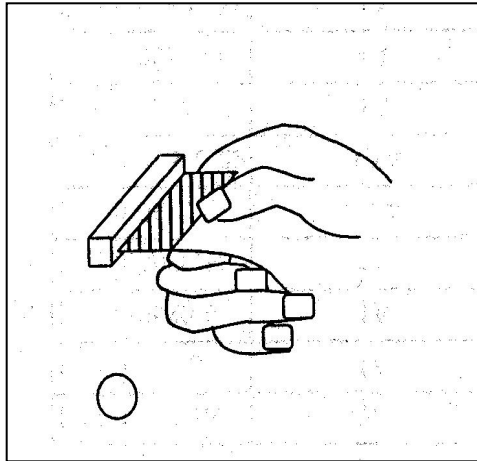


# MATERIAL SPECIFICATION

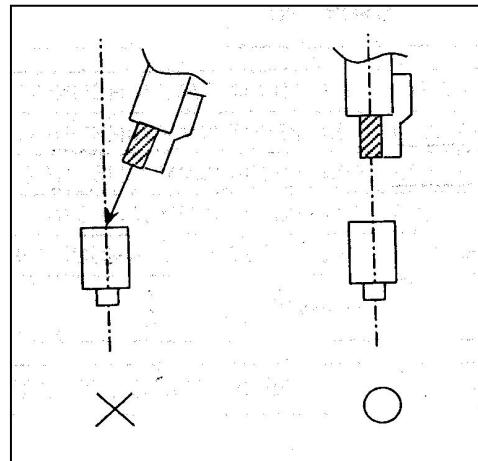
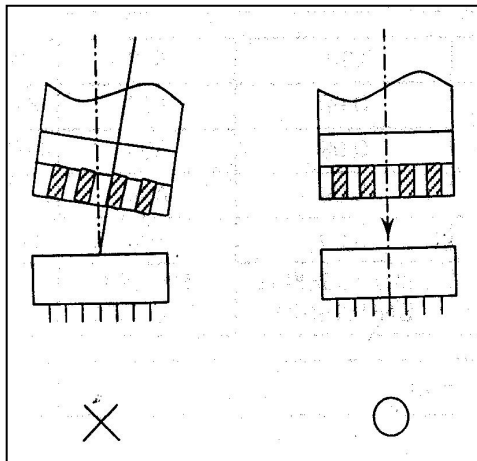
| PRODUCT                                       | FLEXIBLE FLAT CABLE  |   |                               |                                     |                                |   |
|---|--|---|-------------------------------|-------------------------------------|--------------------------------|---|
| UL STYLE NO.                                  | VOLTAGE RATING   | OPERATING TEMPERATURE                         | UL FILE NO.                   | MARKING                             |                                |   |
| <input type="checkbox"/> AWM 2896             | 30V  | 80°C  |                               | AWM 2896 80°C VW-1                  |                                |   |
| <input checked="" type="checkbox"/> AWM 20624 | 60V  | 80°C  |                               | AWM 20624 80°C VW-1                 |                                |   |
| <input type="checkbox"/> AWM 20706            | 60V  | 105°C   |                               | AWM 20706 105°C VW-1                |                                |   |
| CONDUCTOR                                     | SIZE (Ct×Cw)   | RATED CURRENT                                 | RESISTANCE                    | REMARKS                             |                                |   |
|   | <input type="checkbox"/> 0.1X1.27  | 2A  | 0.17Ω/M                       | * TIN PLATED COPPER WIRE            |                                |   |
|   | <input type="checkbox"/> 0.1X0.8   | 2A  | 0.27Ω/M                       | : 99.994% PURE COPPER               |                                |   |
|   | <input type="checkbox"/> 0.1X0.7   | 2A  | 0.33Ω/M                       | * TOLERANCE OF THICKNESS            |                                |   |
|   | <input type="checkbox"/> 0.1X0.65  | 2A  | 0.35Ω/M                       | : ±0.005                            |                                |   |
|   | <input type="checkbox"/> 0.1X0.5   | 1A  | 0.42Ω/M                       | * TOLERANCE OF WIDTH                |                                |   |
|   | <input type="checkbox"/> 0.1X0.3   | 1A  | 0.70Ω/M                       | : ±0.03                             |                                |   |
|   | <input type="checkbox"/> 0.05X0.8  | 1A  | 0.53Ω/M                       | * EXTENSION RATE                    |                                |   |
|   | <input type="checkbox"/> 0.05X0.65   | 1A  | 0.63Ω/M                       | : OVER THAN 15%                     |                                |   |
|   | <input type="checkbox"/> 0.05X0.6  | 1A  | 0.65Ω/M                       | * STRAIN STRENGTH                   |                                |   |
|   | <input type="checkbox"/> 0.035X0.8   | 1A  | 0.83Ω/M                       | : OVER THAN 13Kgf/mm <sup>2</sup>   |                                |   |
|   | <input type="checkbox"/> 0.035X0.7   | 1A  | 0.60Ω/M                       | * PLATING THICKNESS                 |                                |   |
|   | <input type="checkbox"/> 0.035X0.65  | 1A  | 0.96Ω/M                       | : 0.075 μ 以上                        |                                |   |
|   | <input checked="" type="checkbox"/> 0.035X0.3  | 0.5A  | 1.89Ω/M                       |                                     |                                |   |
|   | <input type="checkbox"/> 0.022X0.32  | 0.5A  | 3.18Ω/M                       |                                     |                                |   |
|   | <input type="checkbox"/> 0.1X0.5 (PBW)   | 0.5A  | 2.80Ω/M                       | * TIN PLATED PHOSPHORUS BRONZE WIRE |                                |   |
| LEAD FREE <input checked="" type="checkbox"/> |  |   | GOLD <input type="checkbox"/> |                                     |                                |   |
| INSULATION FILM                               | NO.  | BASE FILM                                     | ADHESIVE                      | TOTAL THICKNESS                     | REMARK                         | COLOR   |
|   | <input type="checkbox"/> 1   | PET 25μm                                      | 35μm                          | 60μm                                | REGULAR                        | <input type="checkbox"/> WHITE <input type="checkbox"/> BLACK |
|   | <input checked="" type="checkbox"/> 2  | PET 19μm                                      | 24μm                          | 43μm                                | SUPER FLEX                     | <input checked="" type="checkbox"/> WHITE                     |
|   | <input type="checkbox"/> 3   | PET 12μm                                      | 25μm                          | 37μm                                | ULTRA FLEX                     | <input type="checkbox"/> WHITE                                |
| DECA FREE <input type="checkbox"/>            |  |   |                               |                                     |                                |   |
| SUPPORTING TAPE                               | NO.  | BASE FILM                                     | ADHESIVE                      | TOTAL THICKNESS                     | COLOR                          |   |
|   | <input type="checkbox"/> 1   | PET 125μm                                     | 35μm                          | 160μm                               | <input type="checkbox"/> WHITE | <input type="checkbox"/> BLUE                                 |
|   | <input checked="" type="checkbox"/> 2  | PET 190μm                                     | 35μm                          | 225μm                               | <input type="checkbox"/> WHITE | <input checked="" type="checkbox"/> BLUE                      |
|   | <input type="checkbox"/> 3   | PET 215μm                                     | 35μm                          | 250μm                               | <input type="checkbox"/> WHITE | <input type="checkbox"/> BLUE                                 |
|   | <input type="checkbox"/> 4   | PET 250μm                                     | 35μm                          | 285μm                               | <input type="checkbox"/> WHITE | <input type="checkbox"/> BLUE                                 |
| EMI SHIELD                                    | ALUMINIUM FOIL [    um]    COPPER FOIL [    um]    FABRIC TAPE [    um]    LAMINATION [    um] |   |                               |                                     |                                |   |
| DOUBLE SIDE TAPE                              |  |   |                               |                                     |                                |   |
| DIELECTRIC VOLTAGE WITHSTAND TEST             |  |   | AC 500V/10mA 1分钟              |                                     |                                |   |
| INSULATION RESISTANCE TEST                    |  |   | DC 500V/100Ω/M                |                                     |                                |   |
| AGING   |  |   | 85°C/96 HR                    |                                     |                                |   |
| FLEXIBILITY                                   | GENERAL  | 10,000 Min (R5×240/Min×40mm/Reciprocating)    |                               |                                     |                                |   |
|   | FLEX   | 100,000 Min (R5×240/Min×40mm/Reciprocating)   |                               |                                     |                                |   |
|   | SUPER  | 3,000,000 Min (R5×240/Min×40mm/Reciprocating) |                               |                                     |                                |   |
|   | ULTRA  | 6,000,000 Min (R5×240/Min×40mm/Reciprocating) |                               |                                     |                                |   |
| FLAMMABILITY                                  |  | PASS UL VW-1                                  |                               |                                     |                                |   |

## Matters that demand special attention :

- \* When insert to connector, please insert straight correctly with Joiner's supporting-tape.



- \* When insert to connector, please avoid excessive force.



- \* After insert to connector, shall be not bend at supporting-tape excessive because Joiner is broken

