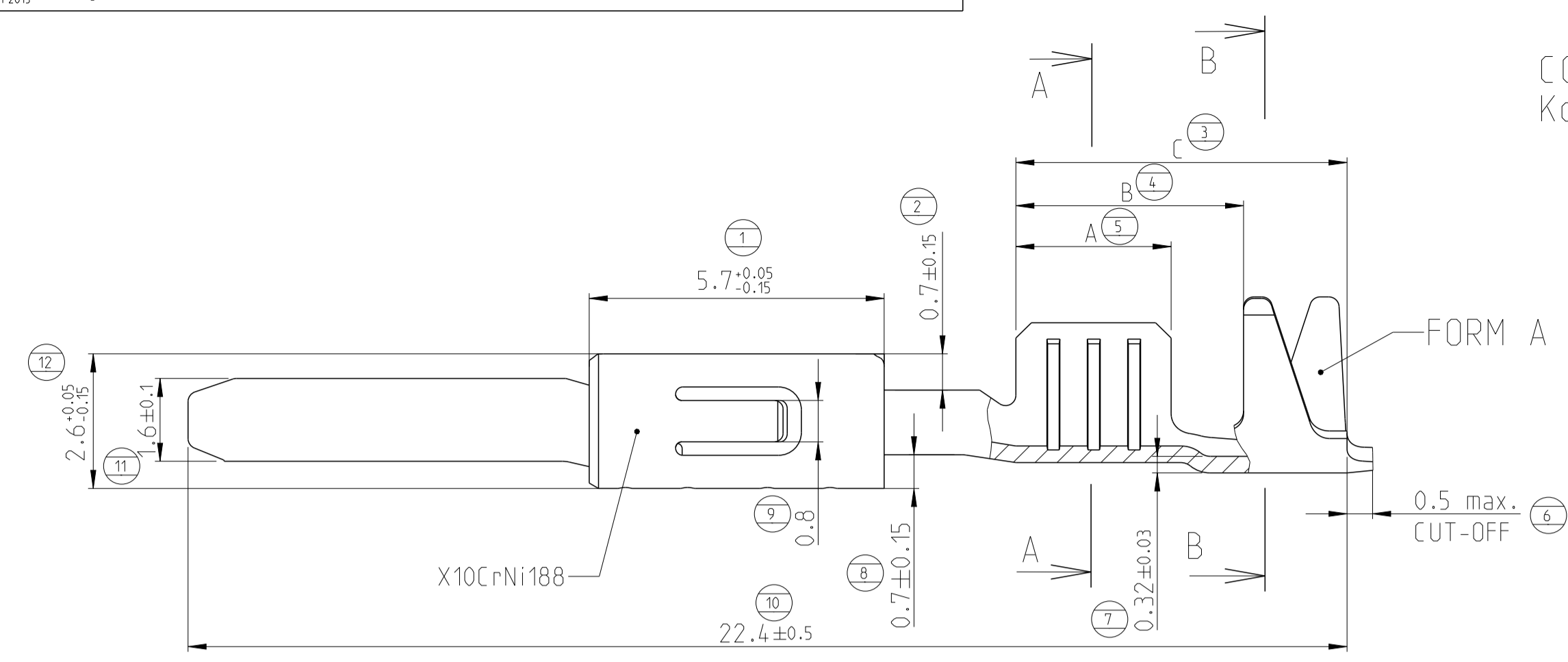
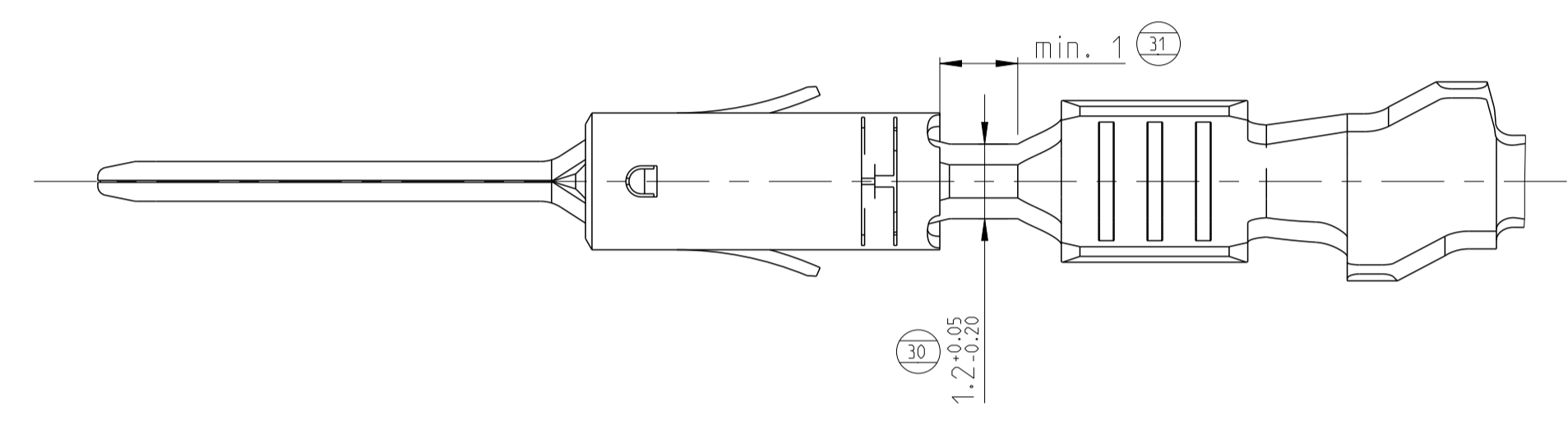
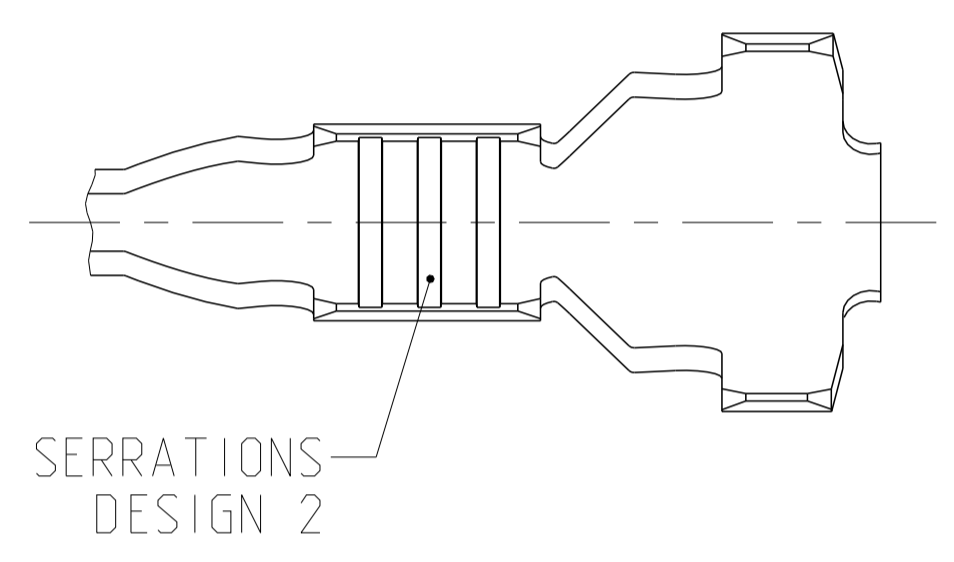
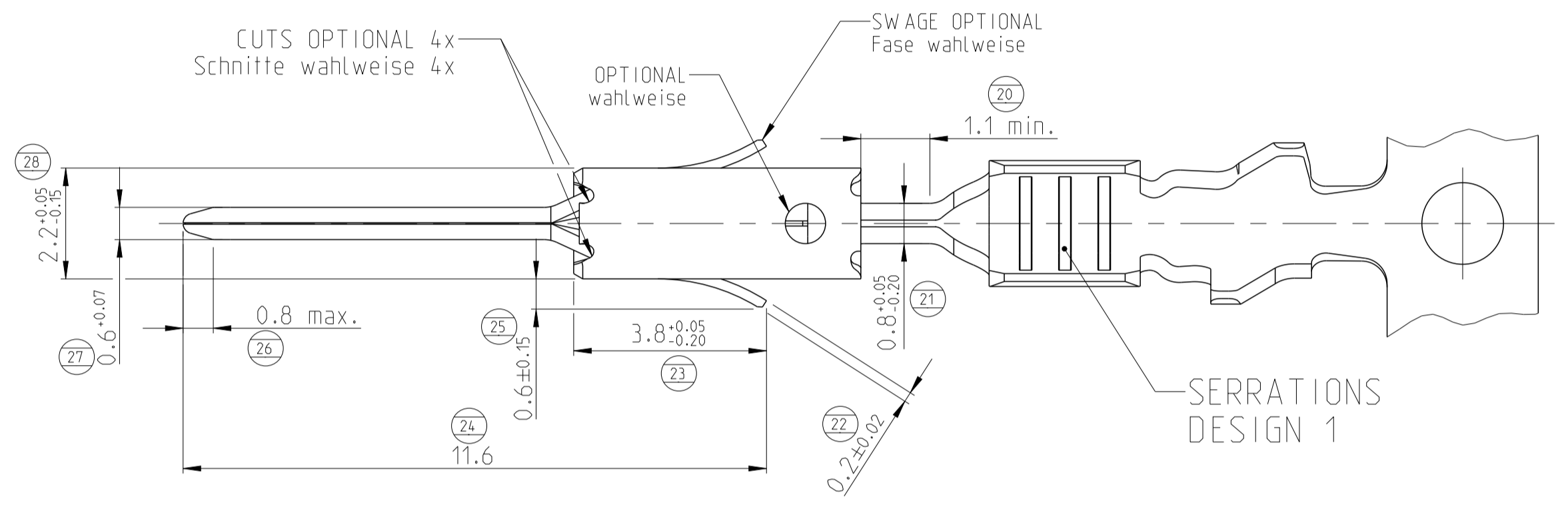
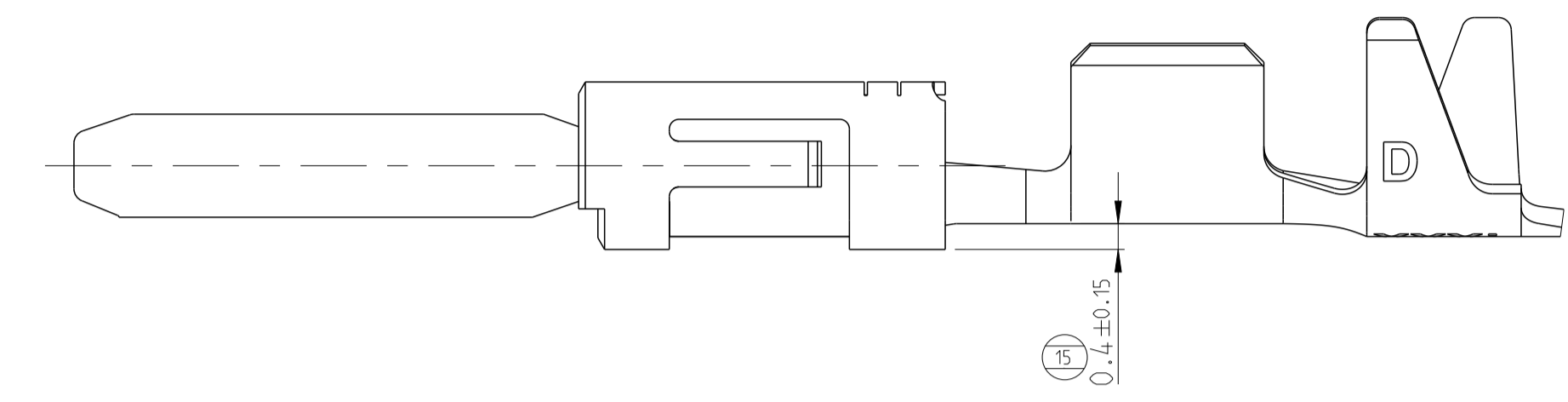


REVISIONS				
P.	LTN	DESCRIPTION	DATE	APPV
A18	ECR-16-006173		04MAY2016	MB JK
A19	ECR-16-009404		22SEP2016	MB JK
A20	ECR-17-005648		21OCT2017	MB PST
A21	ECR-18-014391		24SEP2018	SCK RP

CONTACTS FOR FLR-CABLE
 Kontakte fuer FLR-Leitung

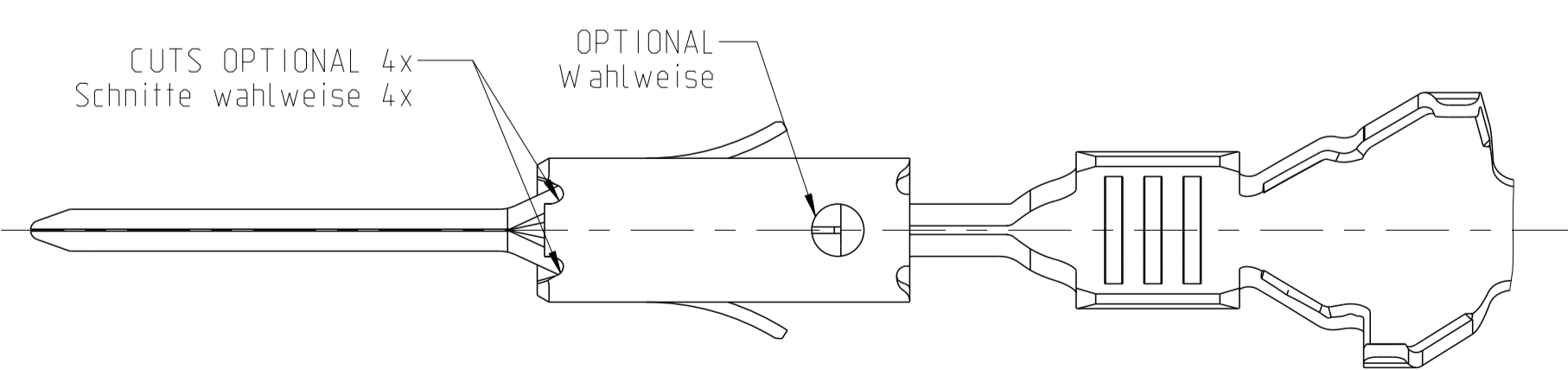
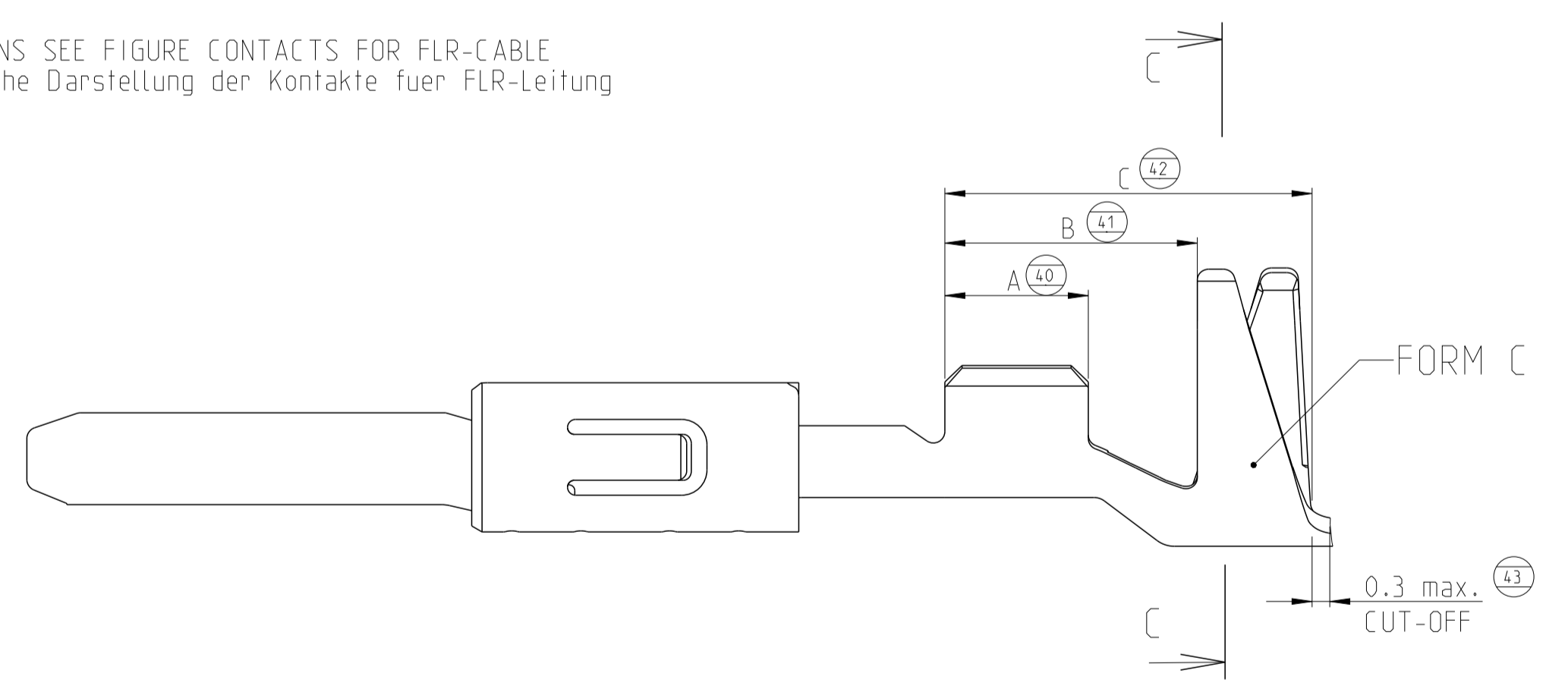


DESIGN 963898 / 963900 / 963904
 Ausfuehrung 963898 / 963900 / 963904

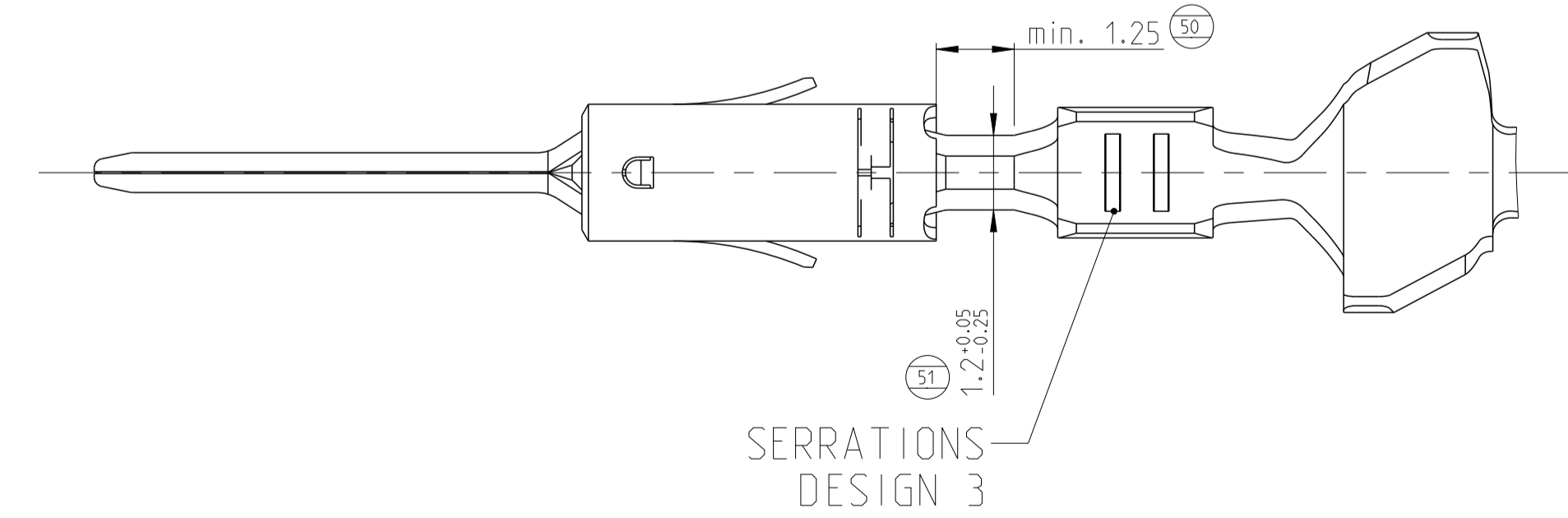
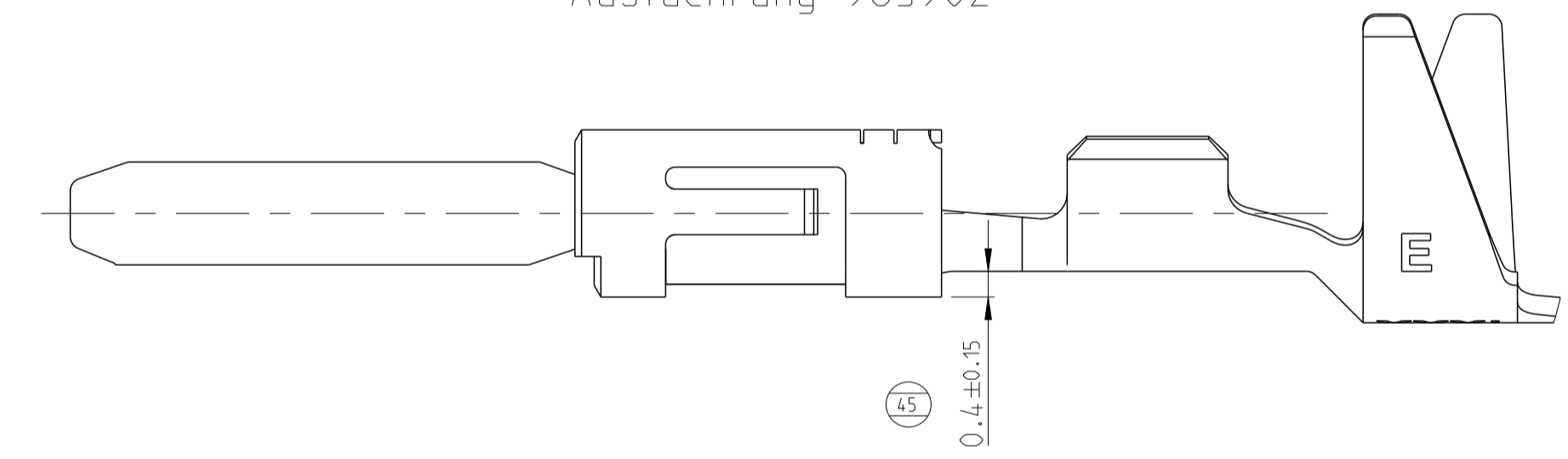


CONTACTS FOR SINGLE WIRE SEALING SYSTEM:
 FLR- AND FLK-CABLE
 Kontakte fuer Einzeldichtung-System:
 FLR- und FLK-Leitung

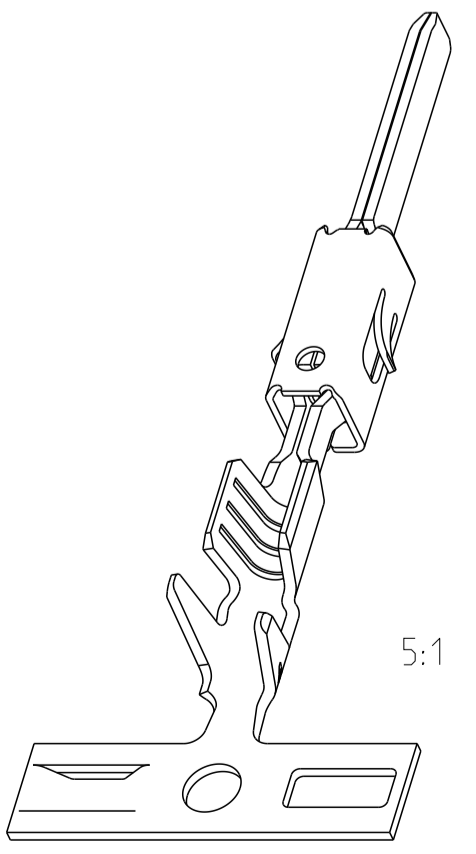
DIMENSIONS SEE FIGURE CONTACTS FOR FLR-CABLE
 Masse siehe Darstellung der Kontakte fuer FLR-Leitung



DESIGN 963902
 Ausfuehrung 963902

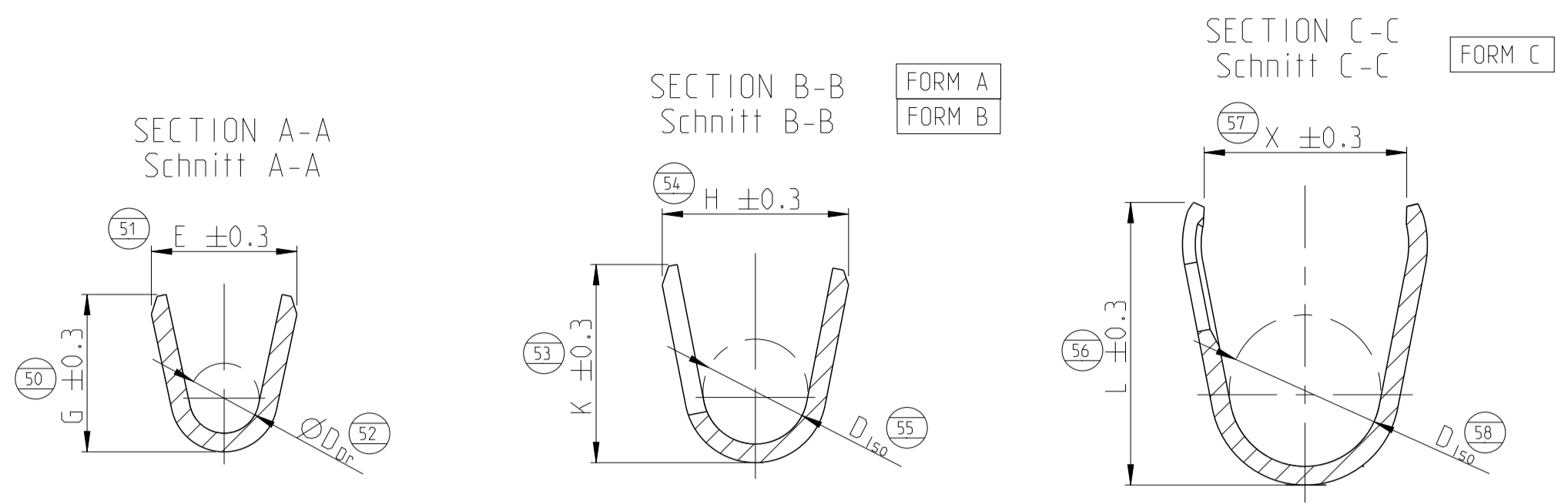


SERRATIONS DESIGN 3



THIS DRAWING IS A CONTROLLED DOCUMENT.		OWN: T. Bertsch 11JUN1997	TE Connectivity
DIMENSIONS: mm		CHK: U. Muenk 11JUN1997	
TOLERANCES UNLESS OTHERWISE SPECIFIED: ±0.2		APPV: M. Bleicher 02MAR2011	NAME: PRODUCT GROUP DRAWING TAB 1.6 x 0.6 Flachstecker 1.6 x 0.6
MATERIAL: SEE TABLE sheet 2 siehe Tabelle		FINISH: SEE TABLE sheet 2 siehe Tabelle	
WEIGHT: -		SIZE: 116-18082	RESTRICTED TO: A1
CUSTOMER DRAWING		SCALE: 10:1	SHEET: 1 OF 2

REVISIONS				
P.	LTN	DESCRIPTION	DATE	APPV
-	-	SEE SHEET 1	-	-



- 1 CONTACT AREA SELECTIVE GOLD 0.8µm MIN. OVER NICKEL.
WIRE CRIMP AREA ELECTRO TIN PLATED 1µm MIN. OVER NICKEL
Kontaktzone selectiv vergoldet 0.8µm min. ueber Ni
Drahtcrimpbereich gal. verzinkt 1µm min. ueber Ni
- 2 FOR DOUBLE- AND SINGLE TERMINATION
fuer Doppel- und Einzelanschlaege
- 3 SINGLE WIRE SEAL TO BE SELECTED ACCORDING TO INSULATION-DIA
ACCORDING TO APPLICATION SPECIFICATION 114-18082
Auswahl der Eubzeldichtung entsprechend dem Isolationsdurchmesser nach
Verarbeitungsspezifikation 114-18082
- 4 TIN PLATED
vorverzinkt
- 5 CONTACT AREA SELECTIVE SILVER 3µm MIN. OVER NICKEL.
WIRE CRIMP AREA ELECTRO TIN PLATED 1.5µm MIN. OVER NICKEL
Kontaktzone selectiv versilbert 3µm min. ueber Ni
Drahtcrimpbereich gal. verzinkt 1.5µm min. ueber Ni
- 6 DIFFERENT TOOL DETAILS
FUNCTION AND HANDLING WITH ALL DETAILS CONTINUOUSLY
SUPPLY AFTER AVAILABILITY
Verschiedene Werkzeugausfuehrungen
Funktion und Handhabung bei allen Ausfuehrungen gleich
Lieferung nach Verfuegbarkeit

SINGLE WIRE SEAL / Einzelichtungssystem	TE ORDER-NO.	REV	DESIGN SERRATIONS	MATERIAL	SURFACE	DGB	INSULATION	SEE / siehe SECTION A-A Schnitt A-A	SEE / siehe SECTION B-B / C-C Schnitt B-B / C-C	HAND TOOL	INSERT	A	B	C	X	TE ORDER-NO.	CRIMP DATA AND CRIMP TOOL						
								E = 2.8 G = 3.0 D _{Dr} = 1.4	L = 4.9 D _{ISO} = 2.9														
UNSEALED / ungedichtet	1703278-5	A	1	CuSn4	5	1.5	1.95 - 2.4	E = 2.8 G = 3.0 D _{Dr} = 1.4	L = 4.9 D _{ISO} = 2.9	169400-0 539635-1	539960-1	-	3.0	4.4	6.4	3.6	SEE APPLICATION SPECIFICATION 114-18082 siehe Verarbeitungsspezifikation 114-18082						
	1703278-2	A	1	CuFe2	4	0.5 - 1.0	1.4 - 2.1	E = 2.5 G = 2.7 D _{Dr} = 1.2	L = 4.8 D _{ISO} = 2.7									539612-1 539663-2	3.0	4.4	6.4	3.3	
	2-964269-2	A	1	CuFe2	5																		
	964269-5	A	1	CuSn4	5																		
	964269-3	E	1	CuSn4	1	0.5 - 1.0	1.4 - 2.1	E = 2.6 G = 2.8 D _{Dr} = 1.2	H = 4.5 K = 4.8 D _{ISO} = 2.7									539651-2	3.0	4.6	7.0	-	
	964269-2	D	1	CuFe2	4																		
	963904-3	G	1	CuSn4	1																		
	963904-2	F	1	CuFe2	4	0.35	1.15 - 1.6	E = 2.4 G = 2.3 D _{Dr} = 1.0	L = 4.8 D _{ISO} = 2.6									539663-2	2.5	4.4	6.4	3.3	
	963904-1	F	1	CuSn4	4																		
	2141884-5	A	2	CuSn4	5																		
	2141884-3	B	2	CuSn4	1	0.2 - 0.5	1.15 - 1.6	E = 2.1 G = 2.1 D _{Dr} = 0.8	X = 4.3 L = 4.8 D _{ISO} = 2.6									539612-1 539663-2	2.5	4.4	6.4	3.3	
	2-2141884-2	A	2	CuFe2	5																		
	2141884-2	A	2	CuFe2	4																		
	969028-5	A	3	CuSn4	5	0.2 - 0.5	1.15 - 1.6	E = 2.1 G = 2.1 D _{Dr} = 0.8	H = 4.5 K = 4.8 D _{ISO} = 2.7									539651-2	2.5	4.6	7.0	-	
	969028-3	E	3	CuSn4	1																		
	969028-2	D	3	CuFe2	4																		
	963902-3	E	3	CuSn4	1	0.2 - 0.5	1.15 - 1.6	E = 2.1 G = 2.1 D _{Dr} = 0.8	H = 3.5 K = 3.9 D _{ISO} = 1.9									169400-0 539635-1	-	3.0	4.4	6.4	-
	963902-2	D	3	CuFe2	4																		
963902-1	D	3	CuSn4	4																			
1241846-5	A	1	CuSn4	5	1.5	2.2 - 2.4	E = 2.5 G = 2.8 D _{Dr} = 1.2	H = 3.7 K = 3.9 D _{ISO} = 1.8	-	-	3.0	4.6	6.2	-									
1241846-3	B	1	CuSn4	1																			
1241846-2	A	1	CuFe2	4																			
1241846-1	A	1	CuSn4	4	0.5 - 1.0	1.4 - 2.1	E = 2.5 G = 2.7 D _{Dr} = 1.2	H = 3.2 K = 3.4 D _{ISO} = 1.8	539612-1 539663-2	3.0	4.4	6.4	-										
969079-3	C	1	CuSn4	1																			
969079-2	B	1	CuFe2	4																			
964267-4	A	1	CuSn4	5	0.5 - 1.0	1.4 - 2.1	E = 2.6 G = 2.8 D _{Dr} = 1.2	H = 3.2 K = 3.4 D _{ISO} = 1.8	539651-2	3.0	4.6	7.0	-										
964267-3	D	1	CuSn4	1																			
964267-2	C	1	CuFe2	4																			
964267-1	C	1	CuSn4	4	0.5 - 1.0	1.4 - 2.1	E = 2.1 G = 2.1 D _{Dr} = 0.8	H = 2.9 K = 2.9 D _{ISO} = 1.4	539651-2	2.5	4.6	7.0	-										
963900-4	E	1	CuSn4	1																			
963900-3	E	1	CuSn4	1																			
963900-2	D	1	CuFe2	4	0.2 - 0.5	1.15 - 1.6	E = 2.4 G = 2.3 D _{Dr} = 1.0	H = 2.9 K = 2.9 D _{ISO} = 1.4	539633-2	2.5	4.4	6.4	-										
963900-1	D	1	CuSn4	4																			
963898-3	E	3	CuSn4	1																			
963898-2	D	3	CuFe2	4	0.2 - 0.35	1.15 - 1.6	E = 2.1 G = 2.1 D _{Dr} = 0.8	H = 2.9 K = 2.9 D _{ISO} = 1.4	539612-1 539663-2	2.5	4.4	6.4	-										
963898-1	D	3	CuSn4	4																			
2141882-3	B	2	CuSn4	1																			
2141882-2	A	2	CuFe2	4	0.2 - 0.35	1.15 - 1.6	E = 2.1 G = 2.1 D _{Dr} = 0.8	H = 2.9 K = 2.9 D _{ISO} = 1.4	-	-	2.5	4.4	6.4	-									
964265-5	A	3	CuSn4	5																			
964265-3	D	3	CuSn4	1																			
964265-2	C	3	CuFe2	4																			

THIS DRAWING IS A CONTROLLED DOCUMENT.		OWN: T. Bertsch 11JUN1997		TE Connectivity
DIMENSIONS: mm		CHK: U. Muenk 11JUN1997		NAME: PRODUCT GROUP DRAWING
TOLERANCES UNLESS OTHERWISE SPECIFIED: ±0.2		APPV: M. Bleicher 02MAR2011	PRODUCT SPEC	
MATERIAL: SEE TABLE sheet 2		FINISH: SEE TABLE sheet 2	APPLICATION SPEC	
WEIGHT: -		SIZE: A1	CAGE CODE	DRAWING NO
CUSTOMER DRAWING		SCALE: 10:1	SHEET: 2 OF 2	REV: A21