

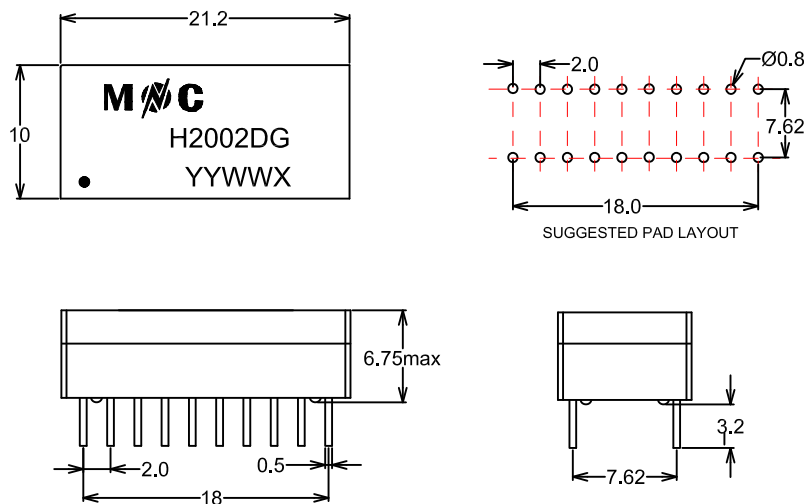
- Meets IEEE 802.3 & ANSI X3.263 Standards.
- RoHS Compliant.
- 10/100 Base-T, Through-Hole Type .
- Operating temperature range: 0°C to +70°C.



Electrical Specifications @25°C

Part Number	OCL(μ H Min) @100KHz,0.2V With 8mA DC Bias	Turns Ratio ($\pm 5\%$)	Insertion Loss (dB Max)	Return Loss (dB Min)			Cross talk (dB Min)		CMRR (dB Min) 0.5-100MHz	HI-POT (Vrms)
				0.5-100MHz	0.5-30MHz	30.1-60MHz	60.1-80MHz	0.5-40MHz		
H2002DG	350	1CT:1CT	-1.1	-18	-18+20*log(f/30)	-12	-35	-33+20*log(f/50)	-30	1500

MECHANICAL



Unless otherwise specified all tolerances are: ± 0.25 in mm

SCHEMATICS

