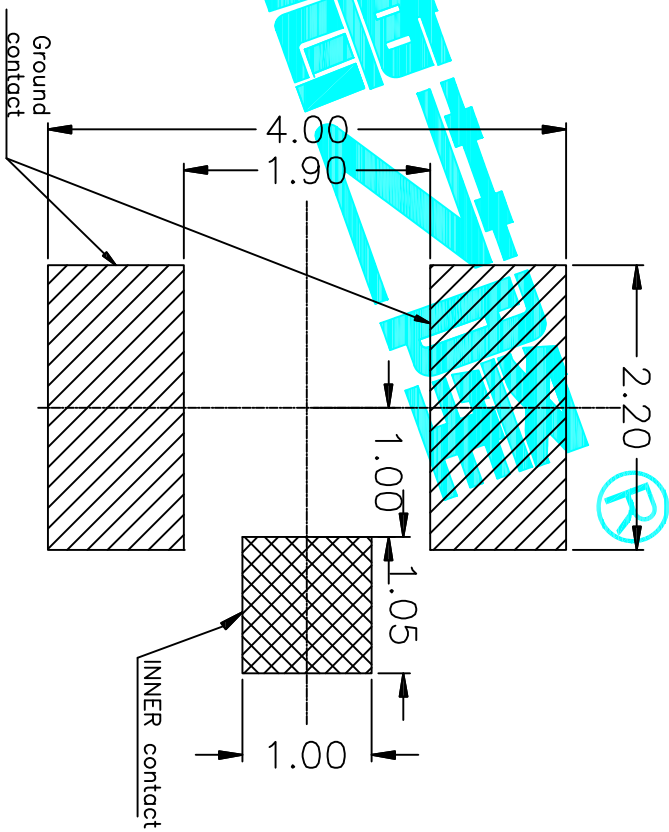
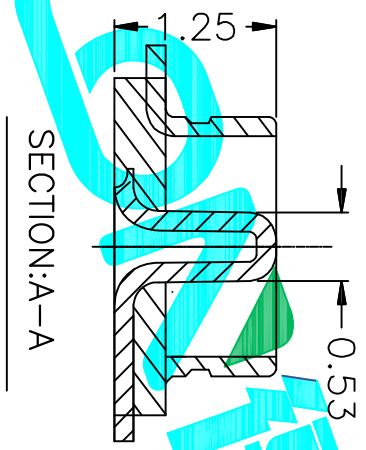
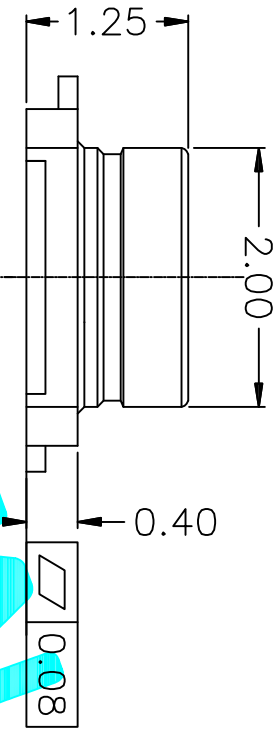
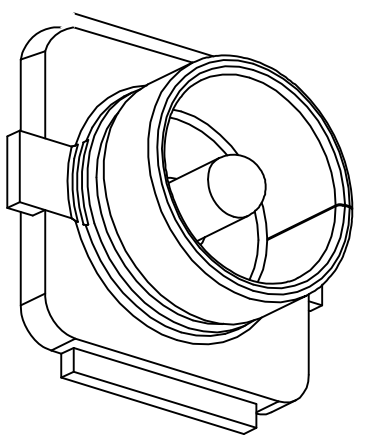
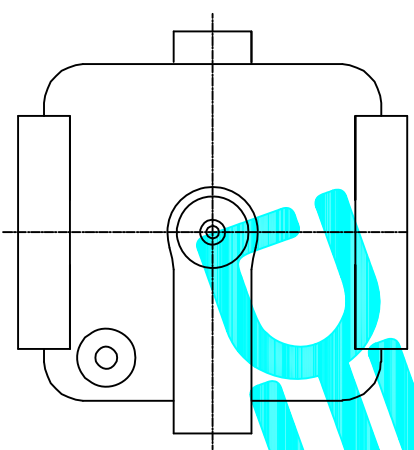


- NOTE:
1. ELECTRICAL CHARACTERISTICS:
 - 1.1 CURRENT RATING: 0.5A MAX.
 - 1.2 IMPEDANCE: 50OHM NOMINAL.
 2. MECHANICAL CHARACTERISTICS:
 - 2.1 OPERATING TEMP. -40°C~90°C
 - 2.2 VEMR UP TO 3GHZ: 1.3MAX.
3GHZ TO 6GHZ: 1.4MAX.
 - 2.3 DURABILITY: 300CYCLES



PCB Layout (Pattern side)



ECN NO.	REV.	DATE.	DESCRIPTION.	CHANGE.	CHECK.	APPRO.
	A		NEW			

APPROVALS		DATE	DEALON 德之隆® ELECTRONICS CO., LTD	
DRAWN	G.M.Chen	2015/5/22	RF CONNECTOR	
CHECKED			RF-IPEX03-01	
TOLERANCES ARE		30~40L ±0.30	ANGLE	±2°
		10~30 ±0.20	UNIT: mm	SCALE: 1:1
		5~10 ±0.15	DRAWING NO.	SHEET 1 OF 1
		~5 ±0.10		PROJ.