



**E-NETTR**

10/100/1000Base-T DUAL Port Transformer Module

**P/N: H4806P-R**

- \* Designed to meet IEEE802.3at requirement
- \* Lead-Free & Designed to meet RoHS requirement
- \* Designed to meet IR255°C peak requirement
- \* primary inductance 350uH Min with 8mA DC Bias
- \* Operating temperature range -40°C to +85°C
- \* Storage temperature range:-40°C to +85°C
- \* Power over Ethernet (POE) Magnetics, 720mA current capability

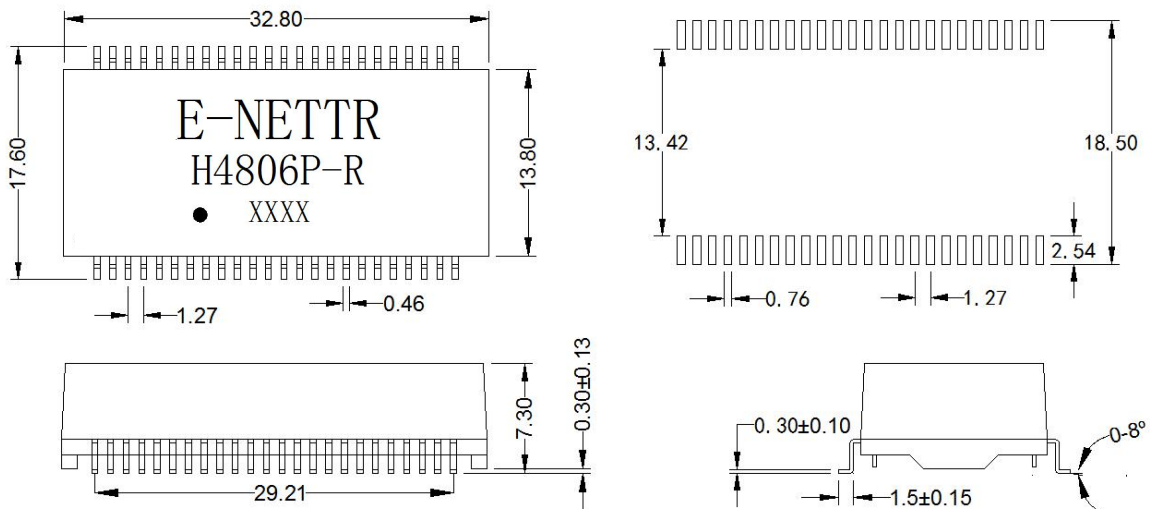
**Electrical Specifications@25°C**

Part Number	Turn Ratio (±3%)	OCL(uH Min) @ 100KHz/0.1V with 8mA DC Bias	L.L (uH Max)	C <sub>w/w</sub> (pF Max)	DCR (Ω Max)	Hi-Pot (Vrms MIN)
H4806P-R	1CT:1CT	350	0.5	28	1.1	AC 1500/1mA

**Continue**

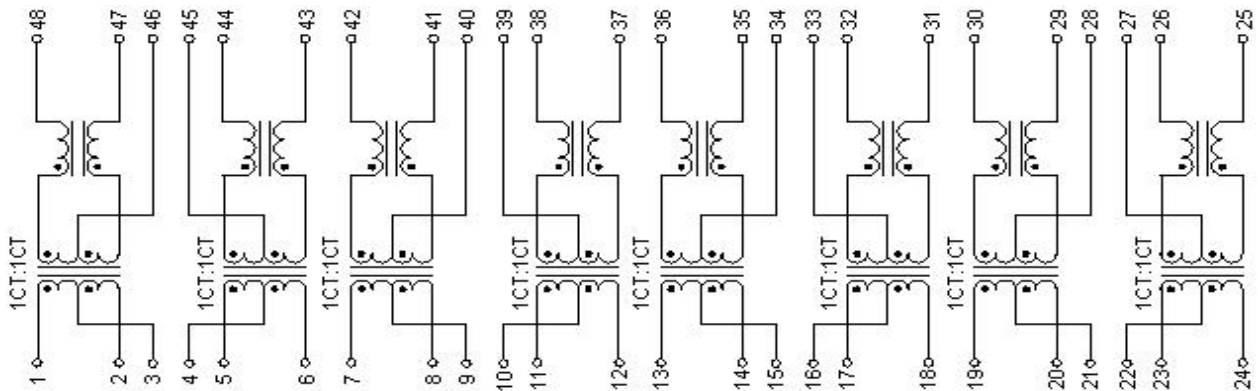
Part Number	Insertion Loss 0.3~100MHZ (dB Max)	Return Loss (dB Min)					Cross Talk (dB Min)			DCMR (dB Min)		
		0.3-30MHz	40MHz	50MHz	60-80MHz	80- 100MHz	30MHz	60MHz	100MHz	30MHz	60MHz	100MHz
H4806P-R	-1.0	-18	-14.4	-13.1	-12	-10	-40	-35	-30	-40	-35	-30

**Mechanical**



Dimensions: mm  
 Unless otherwise specified tolerances: xx.xo ± 0.25mm  
 o.xx ± 0.05mm

**Schematics**



东莞市祥星电子有限公司

地址：东莞市石碣镇横滘科技中路第三工业区

Miss yang:13694998066

Mr Li:15013501940

TEL:0769-86384669

FAX:0769-81813600

Http://www.e-nettr.com

[xxing.guang@163.com](mailto:xxing.guang@163.com)