



E-NETTR 10/100/1000 BASE-T Transformer Module

P/N: H2458G

- * Designed to meet IEEE802.3ab requirement
- * Lead-Free & Designed to meet RoHS requirement
- * Designed to meet IR 255°C peak Requirement.
- * Single Port for NIC Application
- * Operating temperature range: 40°C to +85°C
- * Storage temperature range: 40°C to +85°C

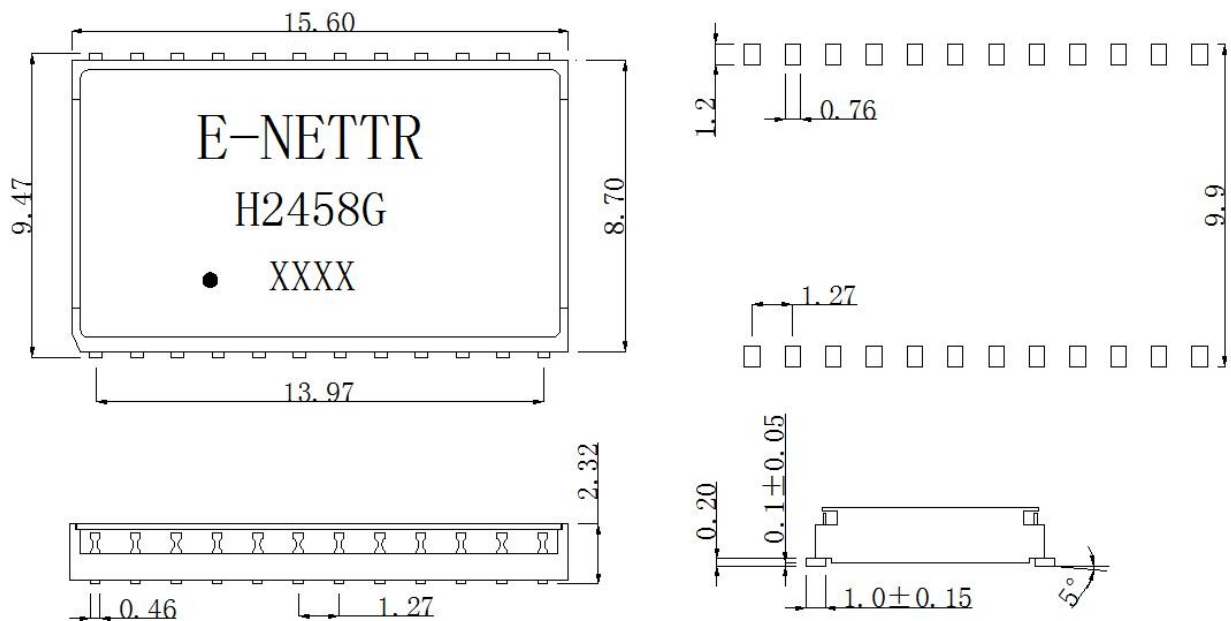
Electrical Specifications@25° C

Part Number	Turn Ratio	OCL(uH Min) @ 100KHz/0.1V	L.L (uH Max)	C _{w/w} (pF Max)	DCR (Ω Max)	Hi-Pot (Vrms MIN)
H2458G	1CT:1CT	350	0.5	28	1.2	AC 1500/1mA/1S

Continue

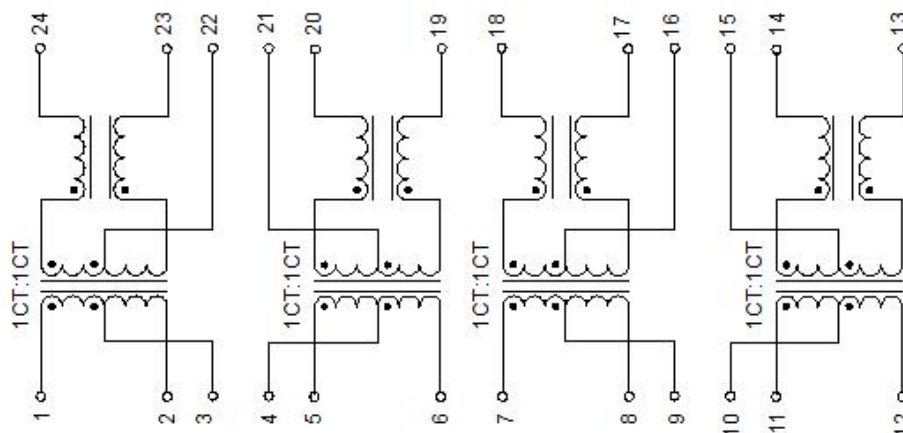
Part Number	Insertion Loss 0.3~100MHZ (dB Max)	Return Loss (dB Min)				Cross Talk (dB Min)		DCMR (dB Min)		
		0.3-30MH	40MHz	50MHz	60-100MHz	30MHz	60- 100MHz	30MHz	60MHz	80-100MHz
H2458G	-1.1	-18	-14.4	-13.1	-12	-35	-32	-40	-35	-30

Mechanical



Unless otherwise specified tolerances: xx.xo ± 0.25mm
o.xx ± 0.05mm

Schematic



东莞市祥星电子有限公司

地址：东莞市石碣镇横滘科技中路第三工业区

TEL:0769-86384669

FAX:0769-81813600

Miss yang:13694998066

Mr Li:15013501940

Http://www.e-nettr.com

xxing.guang@163.com