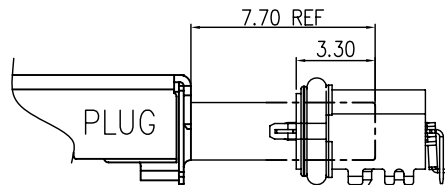
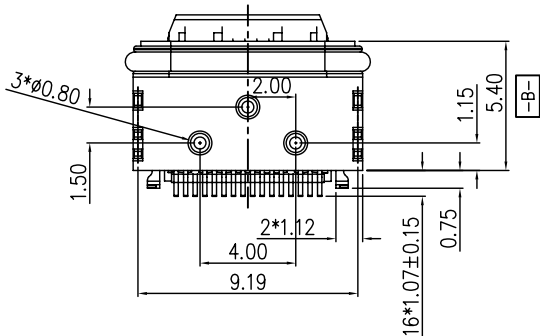
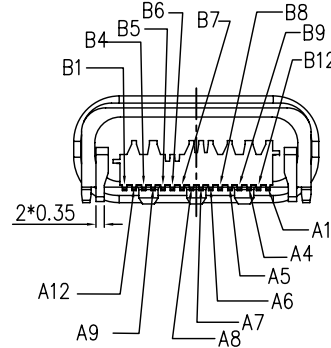
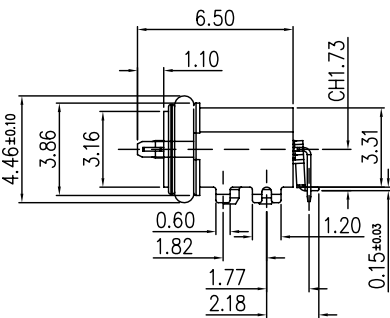
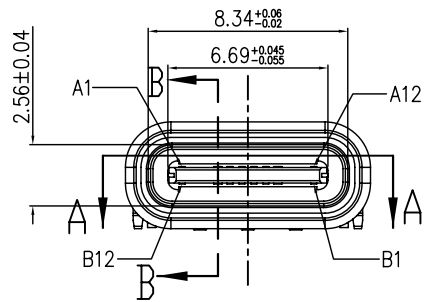


TABLE				
ITEM	PART NAME	QTY	MATERIAL	REMARK
1	SHELL	1PCS	STAINLESS	NICKEL PLATED 50u" MIN. OVER ALL
2	INSERT HOUSING	1PCS	PA10T	UL94V-0
3	Mid-PLATE	1PCS	STAINLESS	NI PLATED 50u" MIN. OVER ALL
4	TOP CONTACT	1SET	COPPER ALLOY	SEE NOTES
5	BOTTOM CONTACT	1SET	COPPER ALLOY	
6	RUBBER RING	1PCS	SILICA GEL	BLACK



MATING INTERFACE

NOTES:

1.ELECTRICAL:

1.1.CONTACT CURRENT RATING 5.0A FOR VBUS AND GND(PINS A4 A9 B4 B9)

1.2. INSULATION RESISTANCE:

100 MEGAOHMS MIN. AT 250VDC.

1.3.DIELECTRIC WITHSTANDING VOLTAGE: 100VAC MIN.

1.4.LOW CONTACT RESISTANCE:

INITIAL 40mΩ MAX.

AFTER 50mΩ MAX.

2. MECHANICAL CHARACTERISTICS:

2.1.INSERTION FORCE:5N~20N.

2.2.EXTRACTION FORCE:

8N~20N FORM 1 TO 1000CYCLES.

6~20N FORM 1001 TO 10000CYCLES.

2.3.DURABILITY:10,000 MATING CYCLES

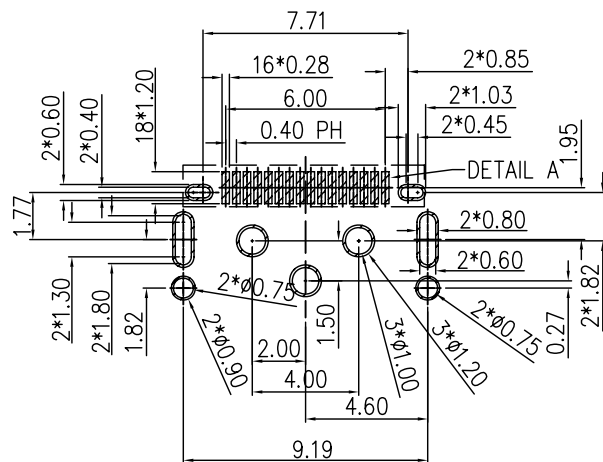
2.4.OPERATING TEMPERATURE:-55°C TO +85°C

3. COPLANARITY:0.08MAX.

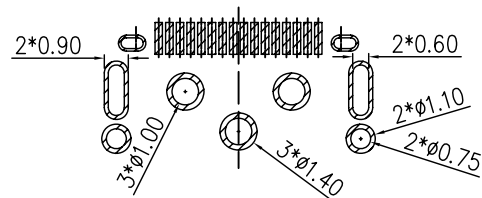


深圳市华宇创精密电子有限公司

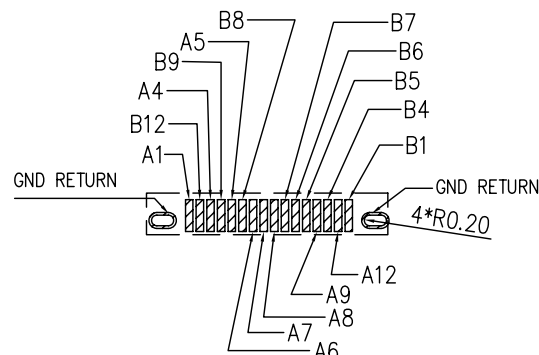
TOLERANCE: X.X ±0.30 X.XX ±0.25 X.XXX ±0.15 X' ±2' X.X' ±0.5'	DRAWN BY : 陈一鸣	DATE : 2014-02-23	PART NAME: 防水USB TYPE C 板上型16P L6.5 电流5A
	CHECKED BY: 马跃	DATE : 2014-02-23	PART NO. HYCW212-USBC16-650B
UNIT: mm [inch] SCALE:1:1 SIZE: A4	APPROVED BY: 邱敏	DATE : 2014-02-23	DRAW NO: HYC-USB190704115
			SHEET NO. 1 OF 1



RECOMMENDED PCB LAYOUT  
GENERAL TOLERANCE ±0.05



RECOMMENDED STENCIL LAYOUT  
TOLERANCE±0.05



DETAIL A  
SCALE 1:1

PIN	SIGNAL NAME	PIN	SIGNAL NAME
A1	GND	B12	GND
A2	/	B11	/
A3		B10	
A4	VBUS	B9	VBUS
A5	CC1	B8	SBU2
A6	Dp1	B7	Dn2
A7	Dn1	B6	Dp2
A8	SBU1	B5	CC2
A9	VBUS	B4	VBUS
A10	/	B3	/
A11		B2	
A12	GND	B1	GND

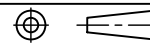


深圳市华宇创精密电子有限公司

TOLERANCE:

X.X ±0.30  
X.XX ±0.25  
X.XXX ±0.15

X' ±2' X.X' ±0.5'



UNIT: mm [inch]

SCALE:1:1 SIZE: A4

DRAWN BY :

陈一鸣

DATE :

2014-02-23

PART NAME:

防水USB TYPE C 板上型16P L6.5 电流5A

CHECKED BY:

马跃

DATE :

2014-02-23

PART NO.

HWCW212-USBC16-650B

MOLD NO.

APPROVED BY:

邱敏

DATE :

2014-02-23

DRAW NO:

HYC-USB190704115

SHEET NO.

1 OF 1