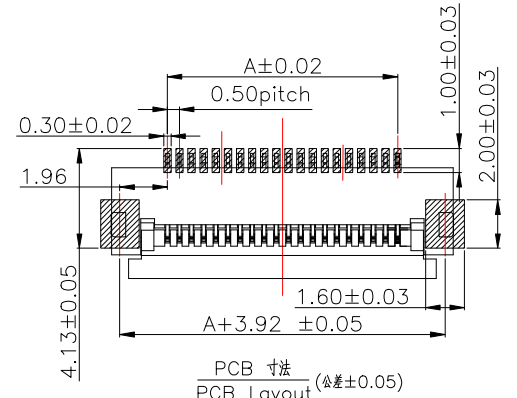
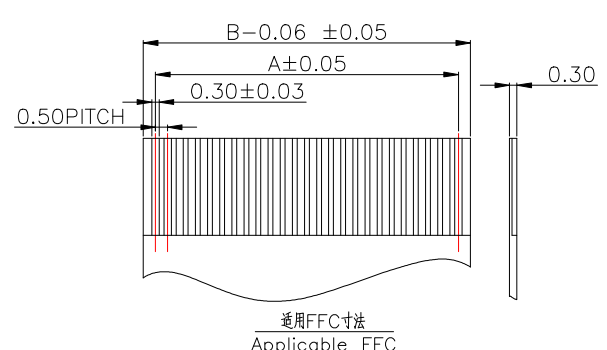
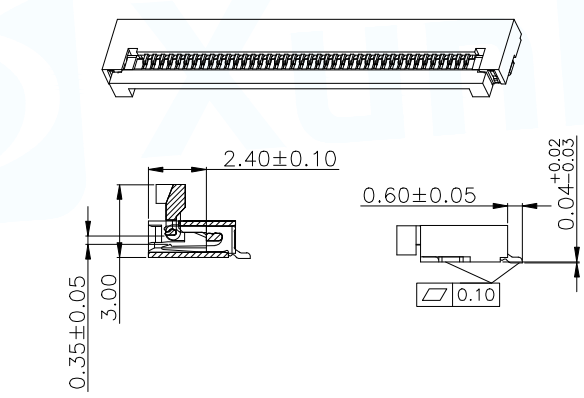
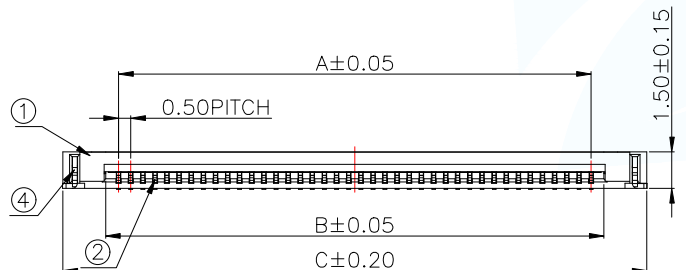
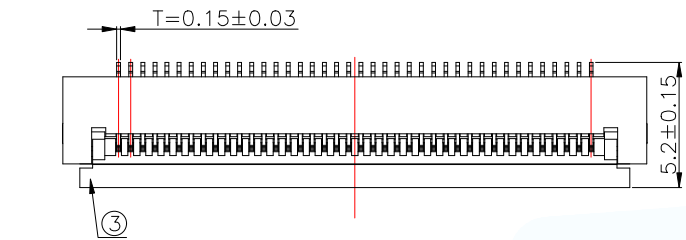


4	0.5mm间距卧贴1.5高翻盖式—焊片	PhosphorBronze T=0.20MM	镀锡	2 PCS	
3	0.5mm间距卧贴1.5高翻盖式—锁扣	LCP	黑色	1 PCS	
2	0.5mm间距卧贴1.5高翻盖式—PIN	PhosphorBronze T=0.15MM	镀锡/镀金	N PCS	
1	0.5mm间距卧贴1.5高翻盖式—底座	LCP	米色	1 PCS	
序号	品名	材料规格	电镀方式/颜色	使用数量	备注

NOTES:

额定电流 Current rating: 0.5A
 额定电压 Voltage rating: 50V
 耐电压 Withstand voltage: 500V AC/minute
 接触电阻 Contact resistance :≤40mΩ
 绝缘电阻 Insulation resistance: 100MΩ MIN
 工作温度 Working temperature: -25℃ ~ +85℃

Part No	Pin	A	B	C	Part No	Pin	A	B	C
FPC-0.5FX-4PWBH15	4	1.50	2.56	6.10	FPC-0.5FX-33PWBH15	33	16.00	17.06	20.60
FPC-0.5FX-5PWBH15	5	2.00	3.06	6.60	FPC-0.5FX-34PWBH15	34	16.50	17.56	21.10
FPC-0.5FX-6PWBH15	6	2.50	3.56	7.10	FPC-0.5FX-35PWBH15	35	17.00	18.06	21.60
FPC-0.5FX-7PWBH15	7	3.00	4.06	7.60	FPC-0.5FX-36PWBH15	36	17.50	18.56	22.10
FPC-0.5FX-8PWBH15	8	3.50	4.56	8.10	FPC-0.5FX-37PWBH15	37	18.00	19.06	22.60
FPC-0.5FX-9PWBH15	9	4.00	5.06	8.60	FPC-0.5FX-38PWBH15	38	18.50	19.56	23.10
FPC-0.5FX-10PWBH15	10	4.50	5.56	9.10	FPC-0.5FX-39PWBH15	39	19.00	20.06	23.60
FPC-0.5FX-11PWBH15	11	5.00	6.06	9.60	FPC-0.5FX-40PWBH15	40	19.50	20.56	24.10
FPC-0.5FX-12PWBH15	12	5.50	6.56	10.10	FPC-0.5FX-41PWBH15	41	20.00	21.06	24.60
FPC-0.5FX-13PWBH15	13	6.00	7.06	10.60	FPC-0.5FX-42PWBH15	42	20.50	21.56	25.10
FPC-0.5FX-14PWBH15	14	6.50	7.56	11.10	FPC-0.5FX-43PWBH15	43	21.00	22.06	25.60
FPC-0.5FX-15PWBH15	15	7.00	8.06	11.60	FPC-0.5FX-44PWBH15	44	21.50	22.56	26.10
FPC-0.5FX-16PWBH15	16	7.50	8.56	12.10	FPC-0.5FX-45PWBH15	45	22.00	23.06	26.60
FPC-0.5FX-17PWBH15	17	8.00	9.06	12.60	FPC-0.5FX-46PWBH15	46	22.50	23.56	27.10
FPC-0.5FX-18PWBH15	18	8.50	9.56	13.10	FPC-0.5FX-47PWBH15	47	23.00	24.06	27.60
FPC-0.5FX-19PWBH15	19	9.00	10.06	13.60	FPC-0.5FX-48PWBH15	48	23.50	24.56	28.10
FPC-0.5FX-20PWBH15	20	9.50	10.56	14.10	FPC-0.5FX-49PWBH15	49	24.00	25.06	28.60
FPC-0.5FX-21PWBH15	21	10.00	11.06	14.60	FPC-0.5FX-50PWBH15	50	24.50	25.56	29.10
FPC-0.5FX-22PWBH15	22	10.50	11.56	15.10	FPC-0.5FX-51PWBH15	51	25.00	26.06	29.60
FPC-0.5FX-23PWBH15	23	11.00	12.06	15.60	FPC-0.5FX-52PWBH15	52	25.50	26.56	30.10
FPC-0.5FX-24PWBH15	24	11.50	12.56	16.10	FPC-0.5FX-53PWBH15	53	26.00	27.06	30.60
FPC-0.5FX-25PWBH15	25	12.00	13.06	16.60	FPC-0.5FX-54PWBH15	54	26.50	27.56	31.10
FPC-0.5FX-26PWBH15	26	12.50	13.56	17.10	FPC-0.5FX-55PWBH15	55	27.00	28.06	31.60
FPC-0.5FX-27PWBH15	27	13.00	14.06	17.60	FPC-0.5FX-56PWBH15	56	27.50	28.56	32.10
FPC-0.5FX-28PWBH15	28	13.50	14.56	18.10	FPC-0.5FX-57PWBH15	57	28.00	29.06	32.60
FPC-0.5FX-29PWBH15	29	14.00	15.06	18.60	FPC-0.5FX-58PWBH15	58	28.50	29.56	33.10
FPC-0.5FX-30PWBH15	30	14.50	15.56	19.10	FPC-0.5FX-59PWBH15	59	29.00	30.06	33.60
FPC-0.5FX-31PWBH15	31	15.00	16.06	19.60	FPC-0.5FX-60PWBH15	60	29.50	30.56	34.10
FPC-0.5FX-32PWBH15	32	15.50	16.56	20.10					



MANUFACTURE DWG

UNLESS OTHERWISE SPECIFIED TOLERANCES

DECIMALS:	ANGLES:
.X:±0.38	.X':±5°
.XX:±0.20	.XX':±3°
.XXX:±0.05	.XXX':±1°

东莞市讯普电子科技有限公司
DongGuan XunPu Electronics Co.,Ltd

TITLE:
0.5mm间距卧贴翻盖式下接H1.5高

PAR	FPC-0.5FX-NPWBH15
DWN	
CHKD	
APVD	
SCALE:1:1	UNIT:MM
SIZE:A4	SHEET:1F1
CUSTOMER COPY	REV:A