



- \* Designed to meet IEEE802.3ab and ANSI X3.263 requirement
- \* Lead-Free & Designed to meet RoHS requirement
- \* Primary inductance 350uH Min with 8mA DC Bias
- \* Operating Temperature Range 0°C to +70°C
- \* Storage temperature range: 0°C to +70°C

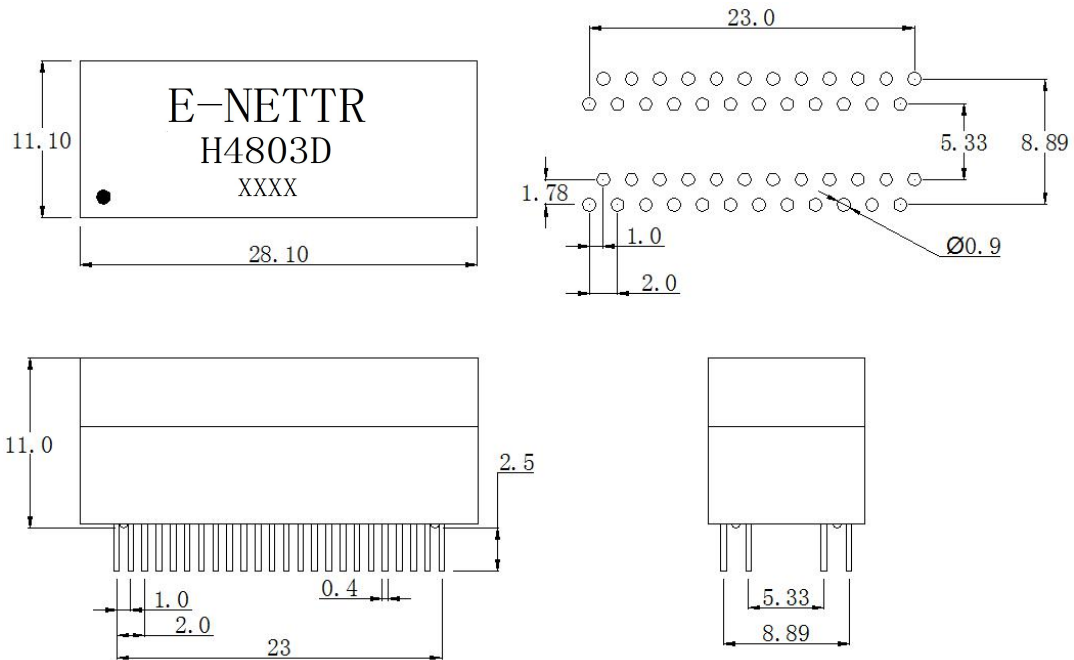
### Electrical Specifications @ 25° C

Part Number	Turn Ratio	OCL(uH Min) @ 100KHz/0.1V with 8mA DC Bias	L.L (uH Max)	C <sub>w/w</sub> (pF Max)	DCR (Ω Max)	Hi-Pot (Vrms MIN)
H4803D	1CT:1CT	350	0.5	28	1.0	AC 1500 / 1mA

### Continue

Part Number	Insertion Loss 0.3~100MHZ (dB Max)	Return Loss (dB Min)				Cross Talk (dB Min)			DCMR (dB Min)		
		0.3-30MH	60MHz	80MHz	100MHz	30MHz	60MHz	80-100MHz	0.3-30MHz	60MHz	100MHz
H4803D	-1.1	-18	-14	-12	-10	-45	-40	-35	-40	-35	-30

### Mechanical



Unless otherwise specified tolerances: xx.xo ± 0.25mm  
o.xx ± 0.05mm

### Schematics

