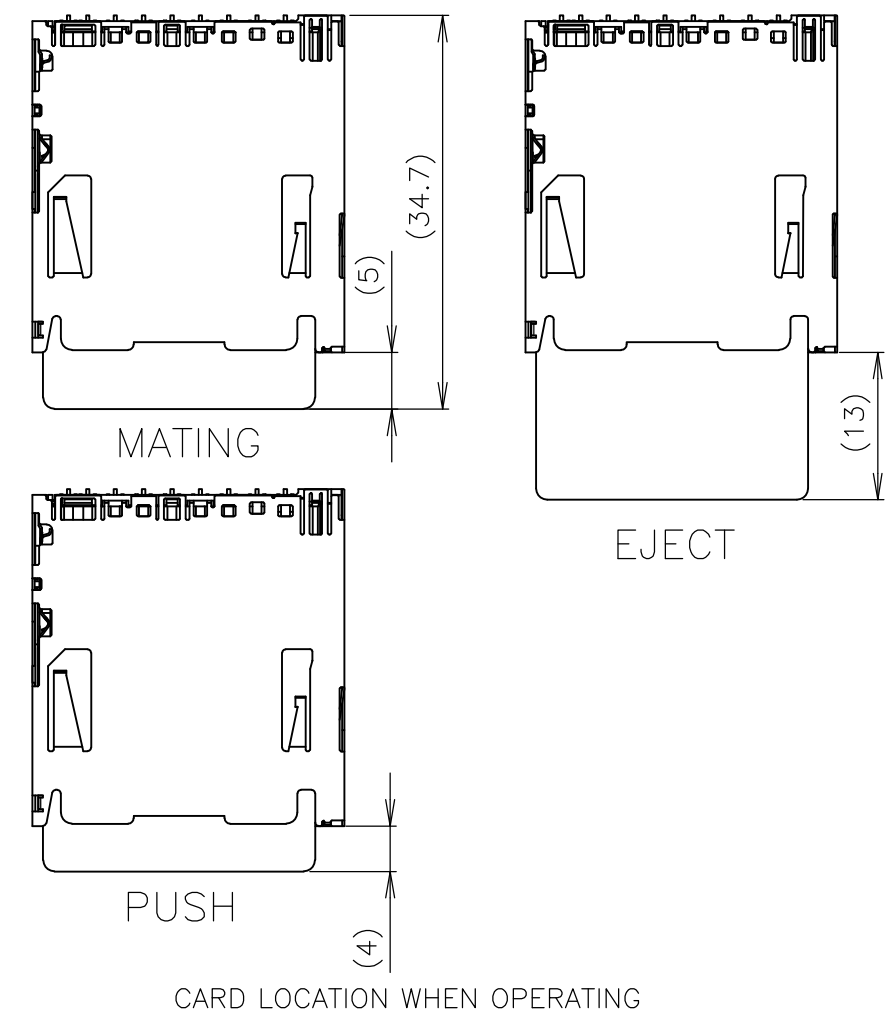
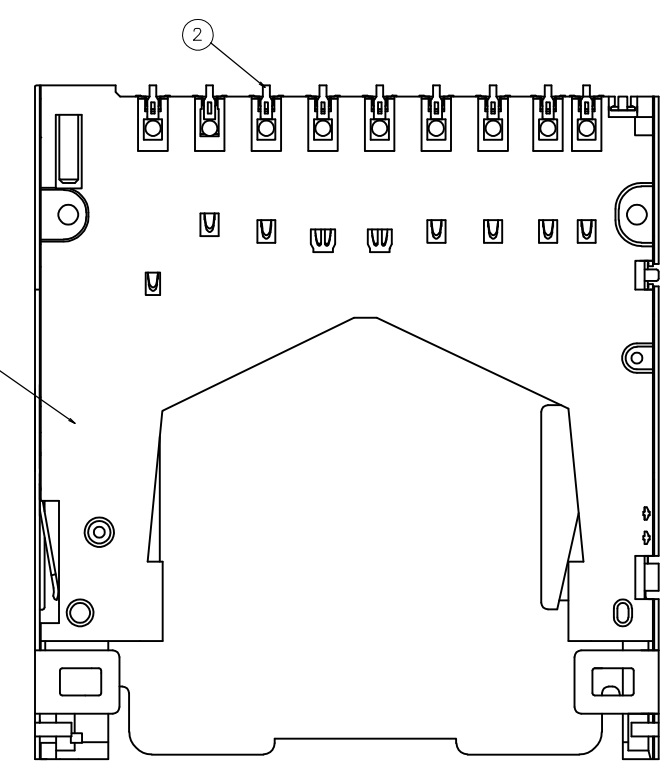
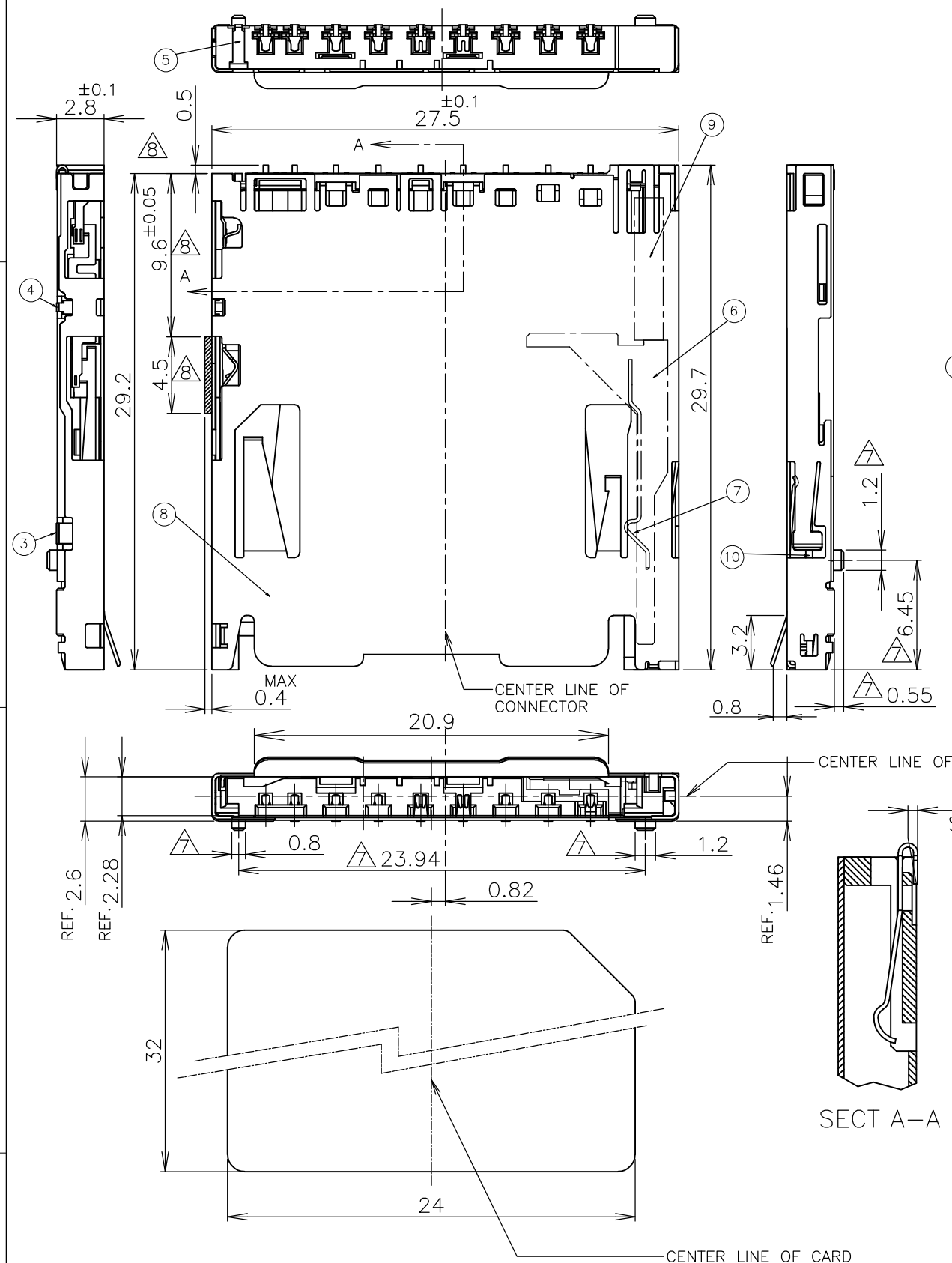


THIS DRAWING IS UNPUBLISHED. RELEASED FOR PUBLICATION MAR , 2003.
 © COPYRIGHT 2004 By - ALL RIGHTS RESERVED.

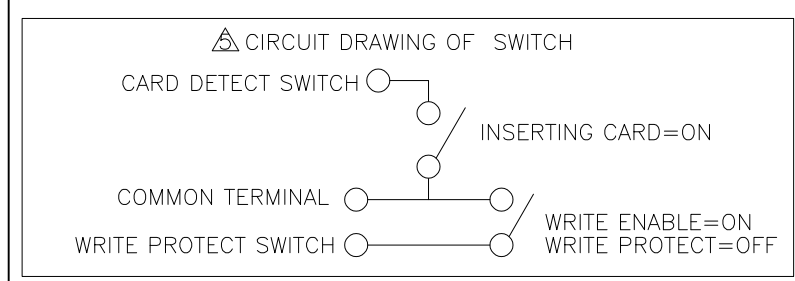
LOC	DIST	REVISIONS 変更					
J	/	P	LTR	DESCRIPTION	DATE	DWN	APVD
		D		REVISED	04SEP2015	M.T	K.K



- ▲ カード認識スイッチ用パッド
- ▲ コモン端子用パッド
- ▲ ライトプロテクトスイッチ用パッド
- 4 カード挿入時の接触の順番
PIN #3,4 — PIN #2,5,6,7,8,9
カード認識スイッチ — PIN #1
- ▲ スイッチの回路図
- 6 本製品は浸漬による洗浄は行わないこと。
- ▲ ボス無しタイプには、適用なし。
- ▲ スイッチ可動エリア
- ▲ 材料 & 仕上げはテーブルを参照のこと。
- 10 コプラナリティは、0.1mm以下。
- ▲ PAD FOR CARD DETECT SWITCH
- ▲ PAD FOR COMMON TERMINAL
- ▲ PAD FOR WRITE PROTECT SWITCH
- 4 THE SEQUENCE OF CONTACT DURING CARD INSERTION
PIN #3,4 — PIN #2,5,6,7,8,9
CARD DETECT SWITCH — PIN #1
- ▲ CIRCUIT DRAWING OF SWITCH
- 6 DON'T WASH BY IMMERSING THE CONNECTOR IN FLUID
- ▲ NO APPLIED TO WITHOUT BOSS TYPE.
- ▲ SWITCH MOVING AREA
- ▲ REFER TO THE TABLE FOR MATERIAL AND FINISH.
- 10 COPLANARITY IS 0.1MM MAX.

CARD LOCATION WHEN OPERATING

ITEM	DESCRIPTION	MATERIAL	FINISH	QTY
10	CAM ROD	SUS	-	1
9	COIL SPRING	SWP	-	1
8	SHELL	COPPER ALLOY	TIN PLATE	1
7	HOOK SPRING	SUS	-	1
6	SLIDER	THERMOPLASTIC	-	1
5	SWITCH C	COPPER ALLOY	Au ON CONTACT AREA OVER Ni AND Sn ON SOLDER TINE OVER Ni.	1
4	SWITCH B	COPPER ALLOY	Au ON CONTACT AREA AND SOLDER TINE OVER Ni.	1
3	SWITCH A	COPPER ALLOY	Au ON CONTACT AREA OVER Ni AND Sn ON SOLDER TINE OVER Ni.	1
2	CONTACT	COPPER ALLOY	Au ON CONTACT AREA OVER Ni AND Sn ON SOLDER TINE OVER Ni.	1
1	HOUSING	THERMOPLASTIC	-	1
ITEM	DESCRIPTION	▲ MATERIAL	▲ FINISH	QTY



-1, -2 : AS SHOWN

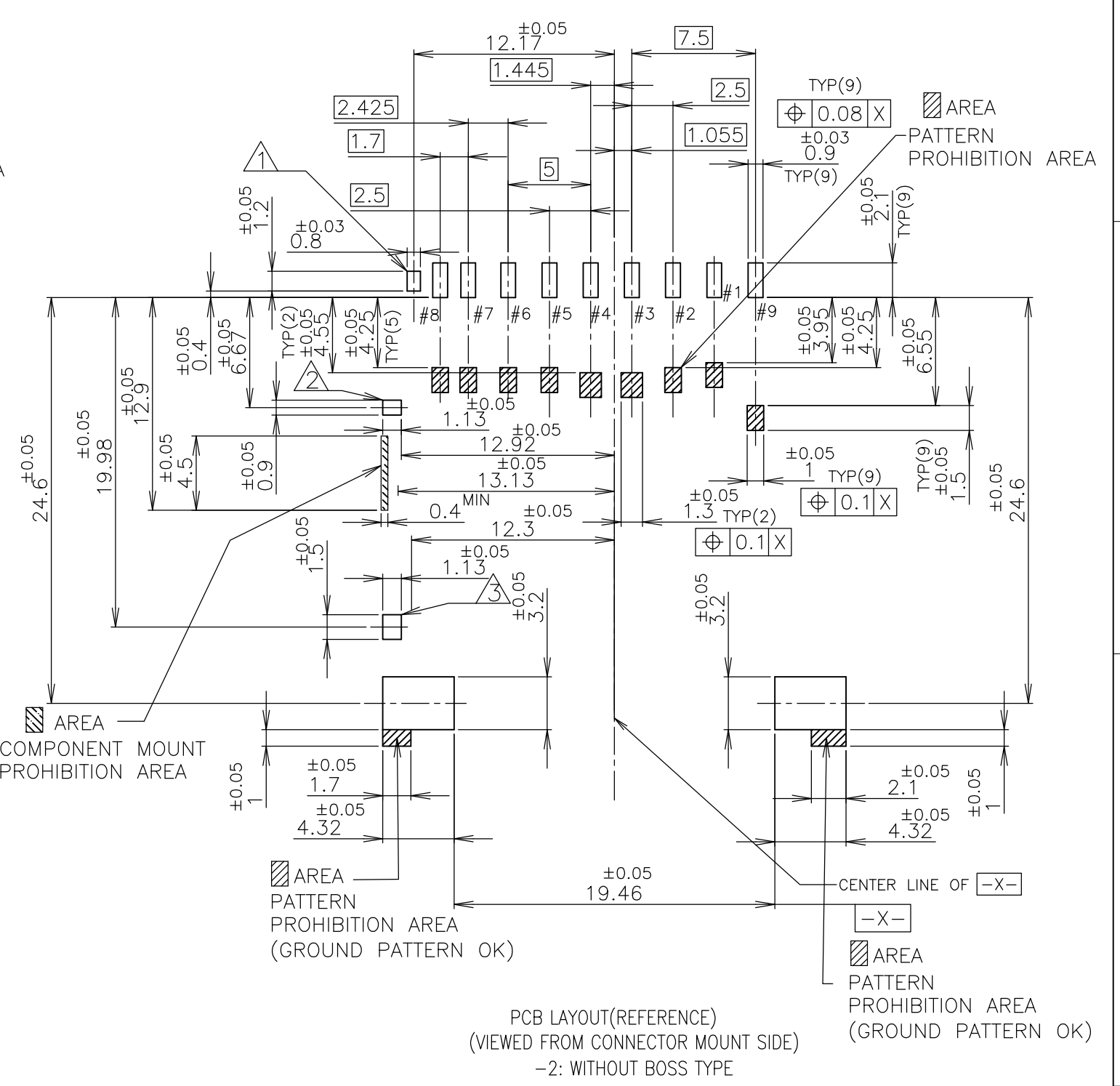
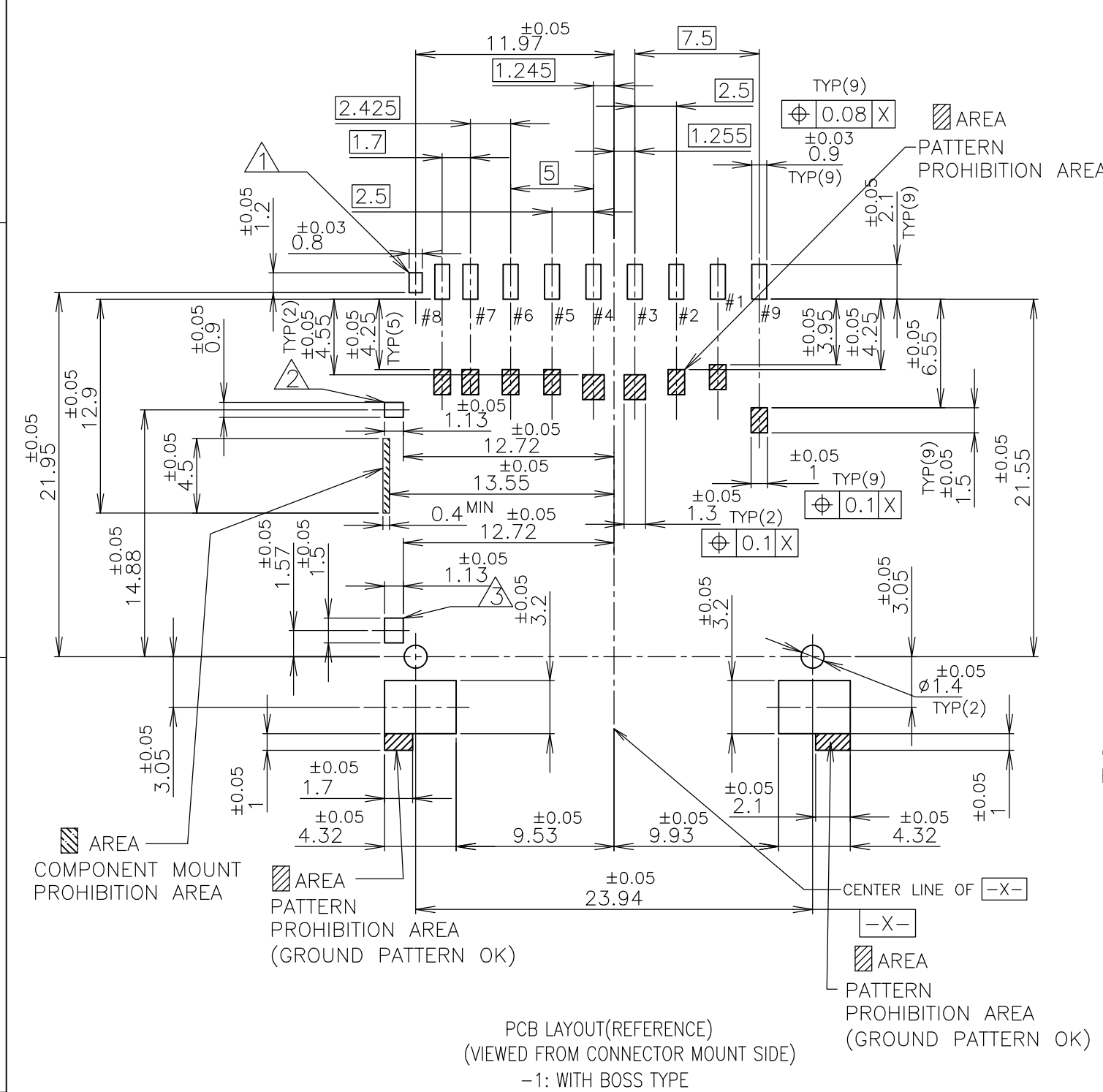
WITHOUT	1939870-2
WITH	1939870-1
BOSS	PART NUMBER

THIS DRAWING IS A CONTROLLED DOCUMENT.

DIMENSIONS: 単位: 耗 MM	TOLERANCES UNLESS OTHERWISE SPECIFIED: 一般公差	DWN Y.OKOSHI 05SEP06	TE Connectivity SD MEMORY CARD CONNECTOR PUSH PUSH TYPE STANDARD H0		
0 PLC ± 0.3 1 PLC ± 0.3 2 PLC ± 0.3 3 PLC ± 0.3 4 PLC ± 0.3 ANGLES ± 3'	FINISH 仕上	CHK Y.NAKAZAWA 05SEP06			
MATERIAL 材料		APVD Y.YAMAMOTO 05SEP06	PRODUCT SPEC 製品規格 108-78220	SIZE	CAGE CODE
		APPLICATION SPEC 取付適用規格	取付適用規格	A3	00779
		WEIGHT	重量	DRAWING NO 番号 C-1939870	
CUSTOMER DRAWING			SCALE 尺度 3:1	SHEET 1 OF 4	REV D

THIS DRAWING IS UNPUBLISHED. RELEASED FOR PUBLICATION MAR , 2003.
 © COPYRIGHT 2004 By - ALL RIGHTS RESERVED.

LOC	DIST	REVISIONS		
		P	LTR	DESCRIPTION
J	/	-	-	SEE SHEET 1
				DATE
				DWN
				APVD



THIS DRAWING IS A CONTROLLED DOCUMENT.		DWN	TE Connectivity		
DIMENSIONS: 單位: 耗 MM		CHK			
TOLERANCES UNLESS OTHERWISE SPECIFIED: 一般公差		APVD	NAME 名称		
0 PLC ± 0.3 1 PLC ± 0.3 2 PLC ± 0.3 3 PLC ± 0.3 4 PLC ± 0.3 ANGLES ± 3'		PRODUCT SPEC 製品規格	SD MEMORY CARD CONNECTOR		
MATERIAL 材料		FINISH 仕上	PUSH PUSH TYPE		
WEIGHT		CUSTOMER DRAWING	STANDARD H0		
			SIZE	CAGE CODE	DRAWING NO
			A3	00779	G-1939870
			SCALE 尺度	SHEET	REV
			3:1	2 OF 4	D

THIS DRAWING IS UNPUBLISHED.

RELEASED FOR PUBLICATION MAR , 2003.

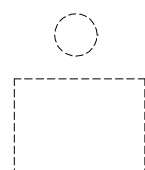
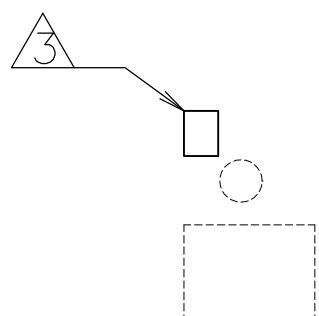
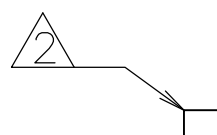
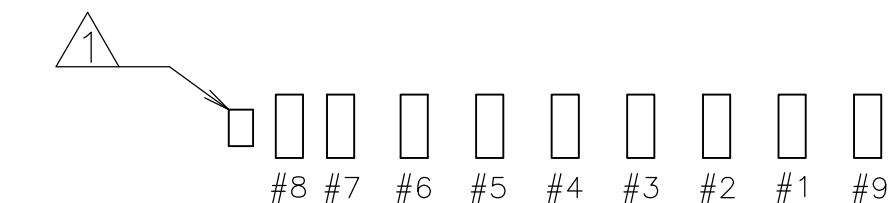
© COPYRIGHT 2004 By -

ALL RIGHTS RESERVED.

LOC J	DIST -	REVISIONS 變更			DATE	DWN	APVD
P	LTR	DESCRIPTION					
	-	SEE SHEET 1		-	-	-	

PIN ASSIGNMENT						
PIN#	SD MODE			SPI MODE		
	NAME	TYPE	DESCRIPTION	NAME	TYPE	DESCRIPTION
1	CD/DAT3	I/O/PP	CARD DETECT/ DATA LINE[BIT 3]	CS	I	CHIP SELECT(NEG TRUE)
2	CMD	PP	COMMAND/RESPONSE	DI	I	DATA IN
3	Vss1	S	SUPPLY VOLTAGE GROUND	VSS	S	SUPPLY VOLTAGE GROUND
4	Vdd	S	SUPPLY VOLTAGE	VDD	S	SUPPLY VOLTAGE
5	CLK	I	CLOCK	SCLK	I	CLOCK
6	Vss2	S	SUPPLY VOLTAGE GROUND	VSS2	S	SUPPLY VOLTAGE GROUND
7	DAT0	I/O/PP	DATA LINE[BIT 0]	DO	O/PP	DATA OUT
8	DAT1	I/O/PP	DATA LINE[BIT 1]	RSV		
9	DAT2	I/O/PP	DATA LINE[BIT 2]	RSV		

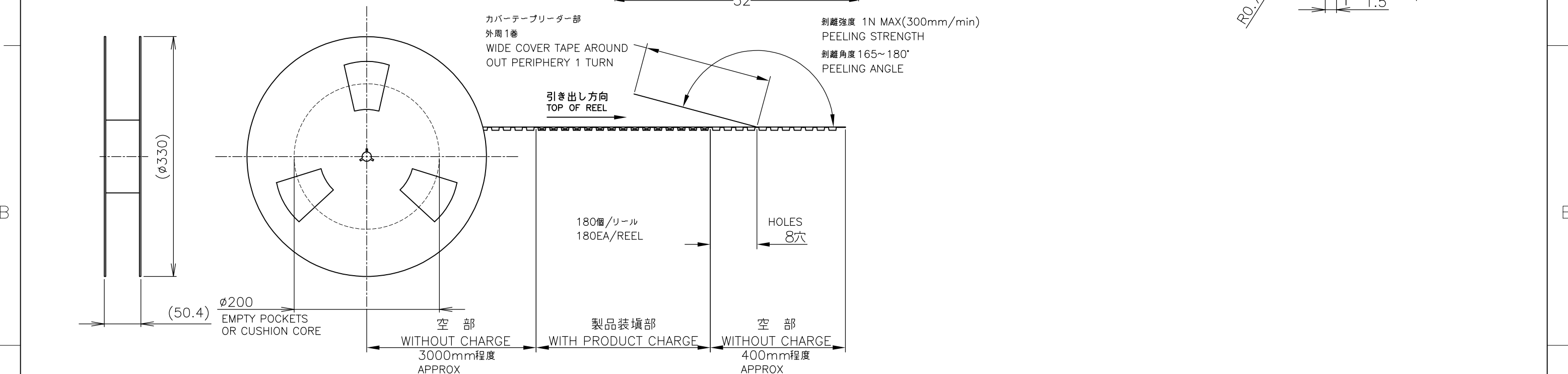
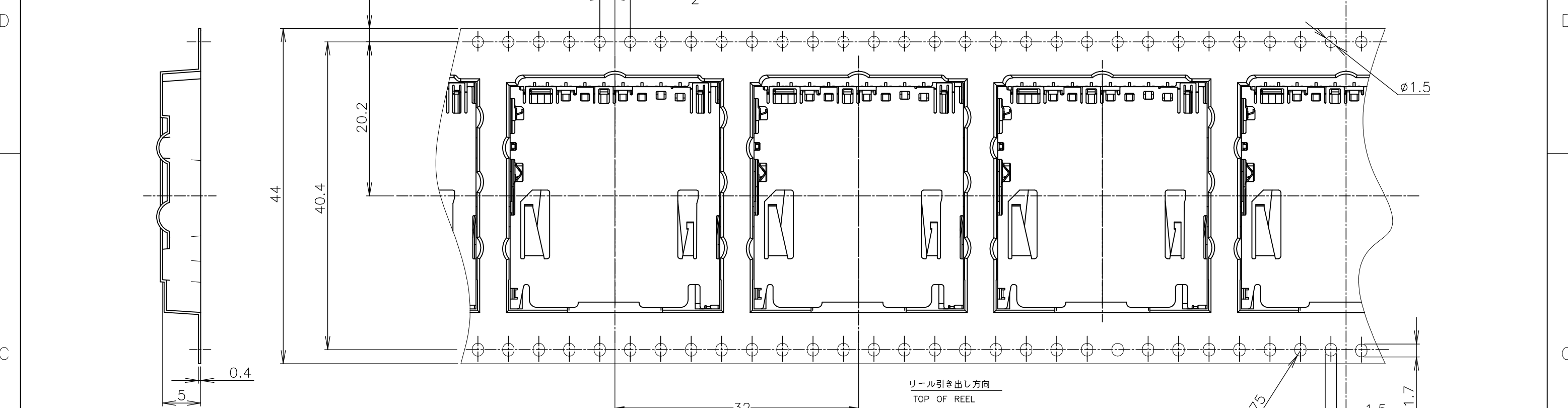
SWITCH PIN ASSIGNMENT	
△1	CARD DETECT SWITCH
△2	COMMON TERMINAL
△3	WRITE PROTECT SWITCH



THIS DRAWING IS A CONTROLLED DOCUMENT.		DWN -	TE Connectivity		
DIMENSIONS: 單位: 耗 MM		CHK -			
TOLERANCES UNLESS OTHERWISE SPECIFIED: 一般公差		APVD -	SD MEMORY CARD CONNECTOR PUSH PUSH TYPE STANDARD H0		
0 PLC ± 0.3 1 PLC ± 0.3 2 PLC ± 0.3 3 PLC ± 0.3 4 PLC ± 0.3 ANGLES ± 3°		PRODUCT SPEC 製品規格 -	SIZE	CAGE CODE	DRAWING NO 番号
MATERIAL 材料		APPLICATION SPEC 取付適用規格	A3	00779	G-1939870
FINISH 仕上		WEIGHT	CUSTOMER DRAWING		RESTRICTED TO -
		SCALE 尺度 4:1	SHEET 3 OF 4	REV D	

THIS DRAWING IS UNPUBLISHED. RELEASED FOR PUBLICATION MAR , 2003.
 © COPYRIGHT 2004 By - ALL RIGHTS RESERVED.

LOC	DIST	REVISIONS			DATE	DWN	APVD
		P	LTR	DESCRIPTION			
J	/	-	-	SEE SHEET 1	-	-	-



剥離強度 1N MAX(300mm/min)
PEELING STRENGTH
剥離角度 165~180°
PEELING ANGLE

THIS DRAWING IS A CONTROLLED DOCUMENT.

DIMENSIONS: 単位: 耗 MM	TOLERANCES UNLESS OTHERWISE SPECIFIED: 一般公差
0 PLC	± 0.3
1 PLC	± 0.3
2 PLC	± 0.3
3 PLC	± 0.3
4 PLC	± 0.3
ANGLES	± 3°
MATERIAL 材料	FINISH 仕上

DWN	-	TE Connectivity	NAME 名称 SD MEMORY CARD CONNECTOR PUSH PUSH TYPE STANDARD H0		
CHK	-				
APVD	-				
PRODUCT SPEC 製品規格	-	SIZE	CAGE CODE	DRAWING NO 番号	RESTRICTED TO
APPLICATION SPEC 取付適用規格	-	A3	00779	C-1939870	-
WEIGHT	-	CUSTOMER DRAWING		SCALE 尺度	2:1
				SHEET	4 OF 4
				REV	D