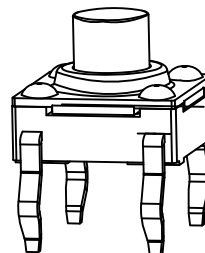
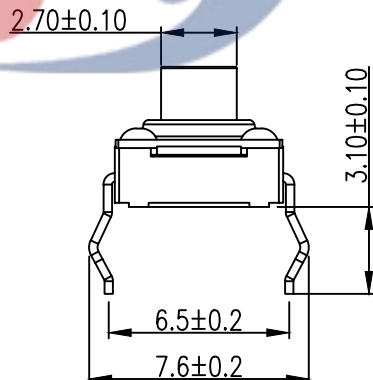
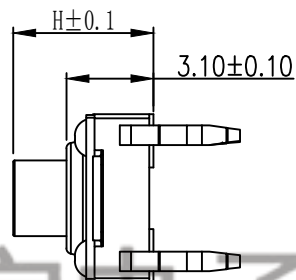
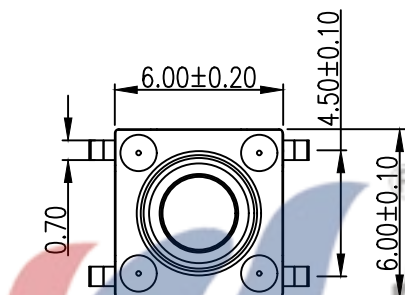
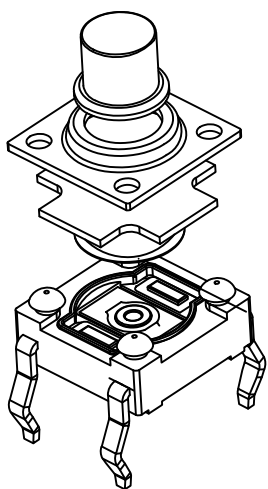
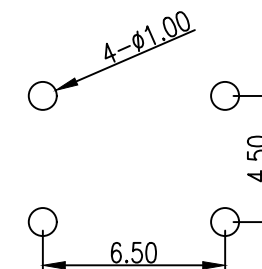


电路图



| H | |
|-----|-----|
| 4.3 | 4.5 |
| 5.0 | |



PCB. 焊接图

TRAVEL:0.3±0.1mm

Waterproof grade:IP67

| | | | | TOLERANCE UNLESS SPECIFIED | | | | | | | | |
|-----|----------------|----------|-----|----------------------------|---|----|------------|-----------|----------|----|---------|--|
| | | | | UP TO 5mm:±0.1 | ANGULAR | 1 | | | | | | |
| | | | | ABOVE 5mm:±0.2 | ±1° | NO | DATE | REVISIONS | | BY | APPD | |
| 6 | TERMINAL | BRASS | 4 | Ag-Plated | TITLE: TACT SWITCH | | UNIT : MM | ROHS | DWN | | | |
| 5 | CASE | PPA | 1 | BLACK | MODEL: TC-00104FSA | | SCALE: 1:1 | COMPLIANT | CHK'D | | | |
| 4 | REED | SUS | 1 | Ag-Plated | HAOYU(HONGKONG)LIMITED 皓宇(香港)有限公司 | | | | APPD | | | |
| 3 | WATERPROOF PAD | RUBBER | 1 | BLACK | | | | | | | | |
| 2 | COVER | SUS | 1 | | | | | | | | | |
| 1 | BUTTON | PPA | 1 | BLACK | | | | | | | | |
| NO. | PART NAME | MATERIAL | QTY | FINISHING | | | | | PRO.AGL: | | REV :A0 | |