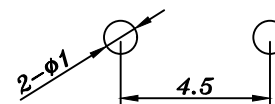
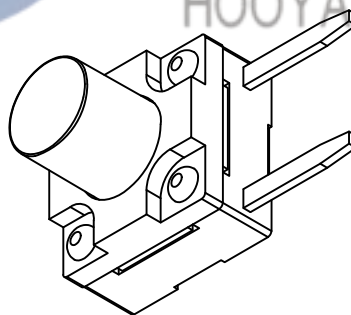
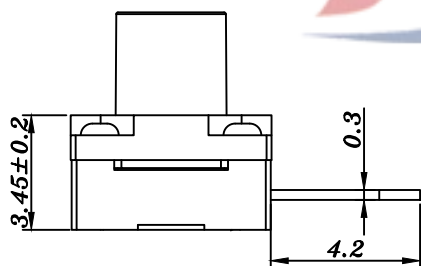


电路图  
CIRCUIT DIAGRAM

H	
4.3	4.5
5.0	5.5
6.0	6.5
7.0	7.5
8.0	8.5
9.0	9.5



PCB. 焊接图  
PCB. WELDING DRAWING

行程: 0.25±0.1mm  
防水等级: IP67

皓宇电子  
HOOYA ELECTRONICS

NO.	PART NAME	MATERIAL	QTY	FINISHING	TOLERANCE UNLESS SPECIFIED							
6	CONTACT	BRASS	2	Ag-Plated	UP TO 5mm: ±0.1	ANGULAR	1					
5	CASE	PPA	1	BLACK	ABOVE 5mm: ±0.2	±1°						
4	REED	SUS	1	Ag-Plated			NO	DATE	REVISIONS	BY	APPD	
3	WATERPROOF PAD	RUBBER	1	BLACK	TITLE: TACT SWITCH		UNIT : MM	ROHS COMPLIANT	DWN			
2	COVER	PPA	1	BLACK	MODEL: TC-00104AF		SCALE: 1:1		CHK'D			
1	BUTTON	PPA	1	BLACK	HAOYU(HONGKONG)LIMITED 皓宇(香港)有限公司				APPD			
											PRO.AGL:	