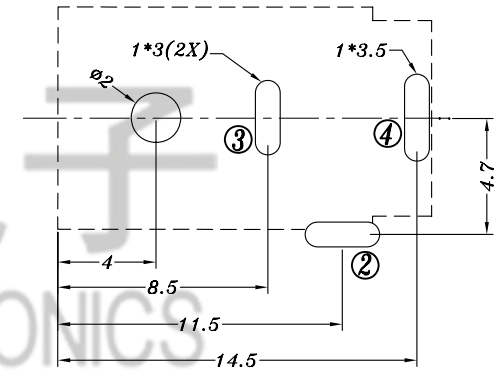
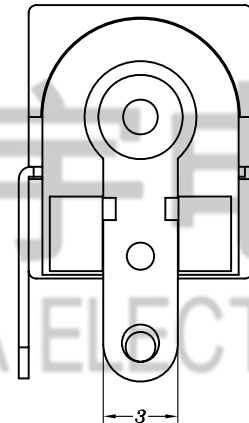
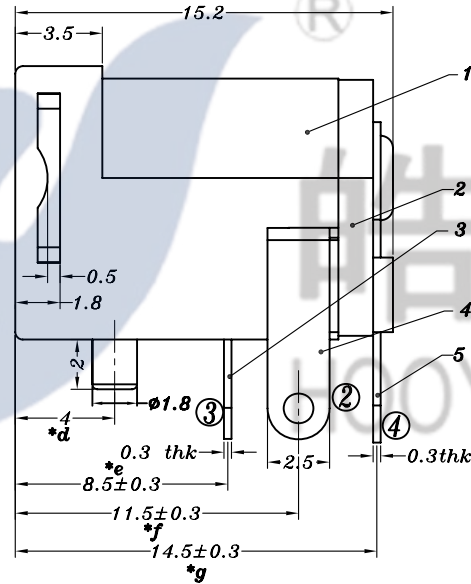
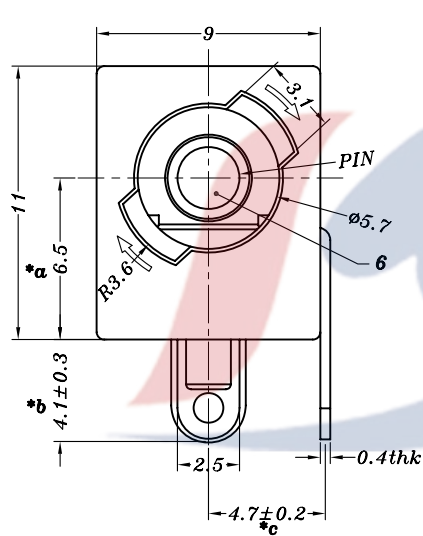
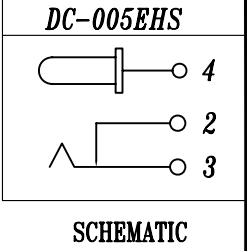


DC SPECIAL MATE PLUG



RECOMMENDED PCB LAYOUT (TOP VIEW)

PIN	$\phi 1.65$	$\phi 2.0$	$\phi 2.5$
APPD.		✓	

				TOLERANCE UNLESS SPECIFIED							
6	DC005 PIN	BRASS	1	Ni PLATED	UP TO 5mm: ±0.1	ANGULAR	AO	2020.07.04	首次发行	GYW	
5	DC005 4#FLAT PIECE 3.0	BRASS	1	Ag PLATED	ABOVE 5mm: ±0.2	±1°	NO	DATE	REVISIONS	BY	APPD
4	DC005S 2#CURVE PIECE	BRASS	1	Ag PLATED	TITLE:DC JACK		UNIT : MM	ROHS COMPLIANT	DWN		
3	DC005S 3#SPRING 2.5	PBS	1	Ag PLATED	MODEL:DC-005EHS 2.0-PU		SCALE: 4:1	COMPLIANT	CHK'D		
2	DC005 COVER	PBT	1	BLACK	HAOYU(HONGKONG)LIMITED 皓宇(香港)有限公司				APPD		
1	DC005EHS CASE	PA66+15%GF	1	BLACK							PRO.AGL:
NO.	PART NAME	MATERIAL	QTY	FINISHING							