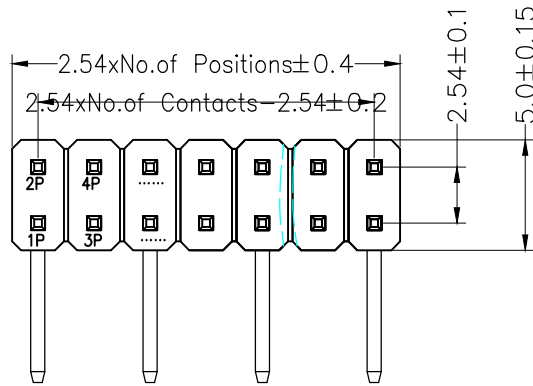


RoHS

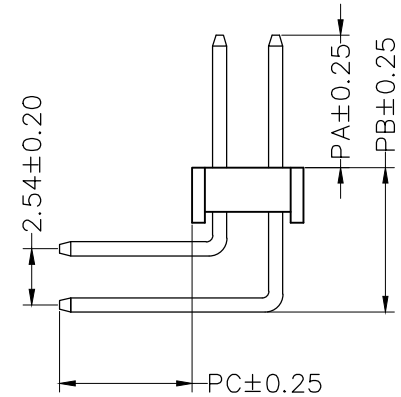
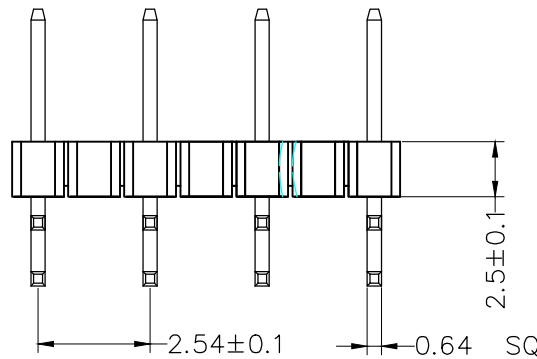
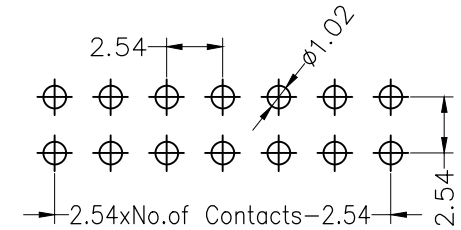
SPECIFICATIONS

Rated Current:3.0AMP  
 Contact Resistance:20mΩ Max  
 Withstand Voltage:1000V AC/DC  
 Insulation Resistance:1000MΩ Min  
 Operation Temperature:-40°c to +105°c

Contact Material:Brass  
 Contact Plating:Au Over Ni  
 Insulator Material:Polyester(UL94V-0)  
 Standard: PA6T  
 Max.Processing Temp: 230°C for 30-60 seconds  
 (260°C for 10 seconds)



Recommended P.C.B Layout(Top Side)  
 (PCB BOARD TOLERANCE±0.05)



Dimension antitheses list					
ITEM	PA	PC	PB	L短	L长
Standard	2.50	5.00	7.24	12.90	17.90
Alternate					

OPERATION

DRAW

SCALE

FIT

X.X ±0.30

CHECK

UNIT

mm

X.XX ±0.20

APPROVE

SIZE

A4

X.XXX ±0.10

Angle ±3°

APPROVE

SHEET

1/1

DIM TOL

PROJ.

深圳市连盛精密连接器有限公司

PART NO.

PH-01552

TITLE:

2.54PH H2.5 2X7P 正弯 空第  
 3, 4, 7, 8, 11, 12P

A

A

1 2 3 4 5 6 7 8 9