

4

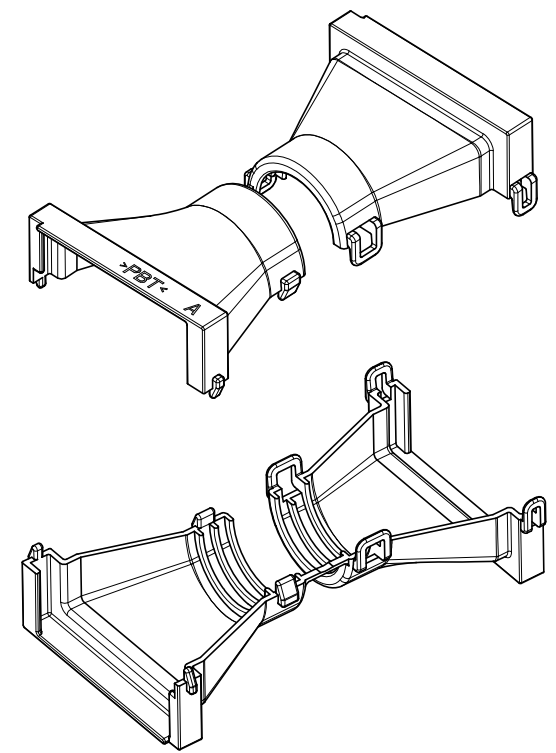
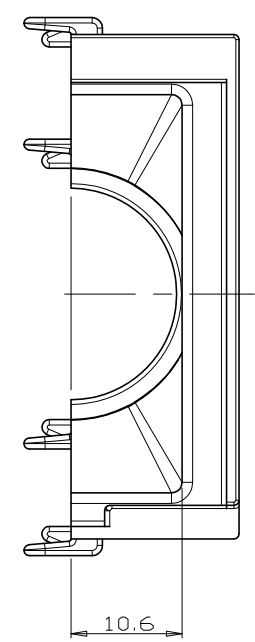
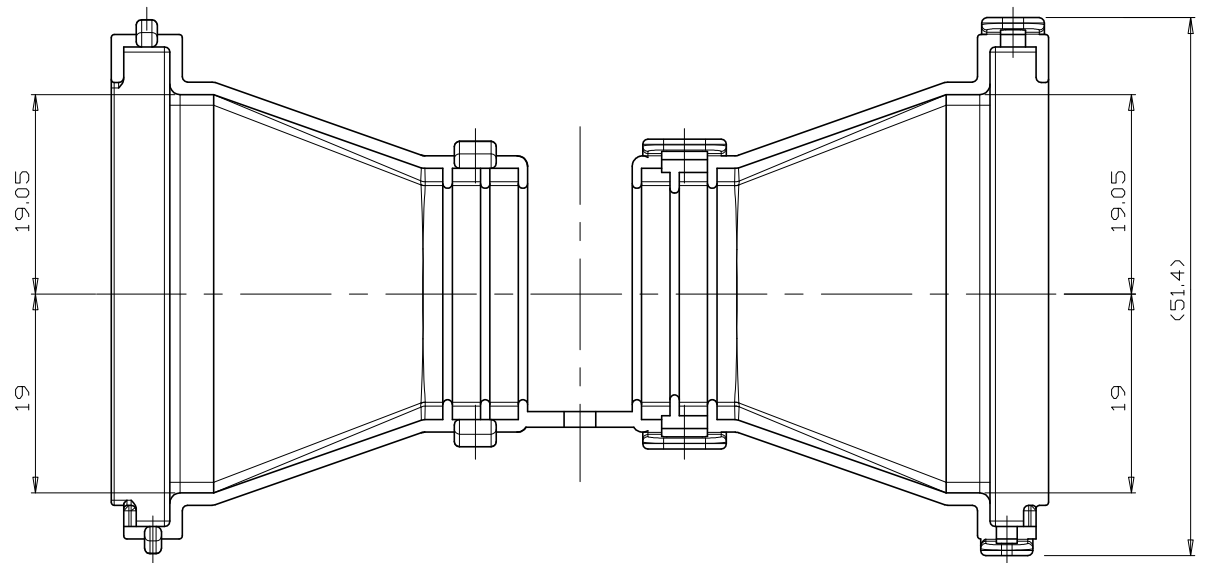
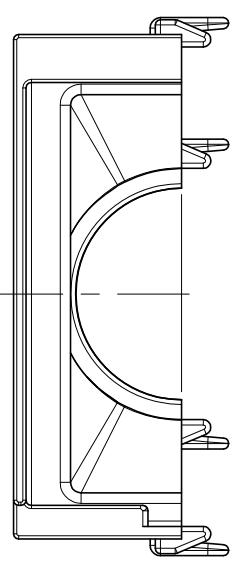
3

2

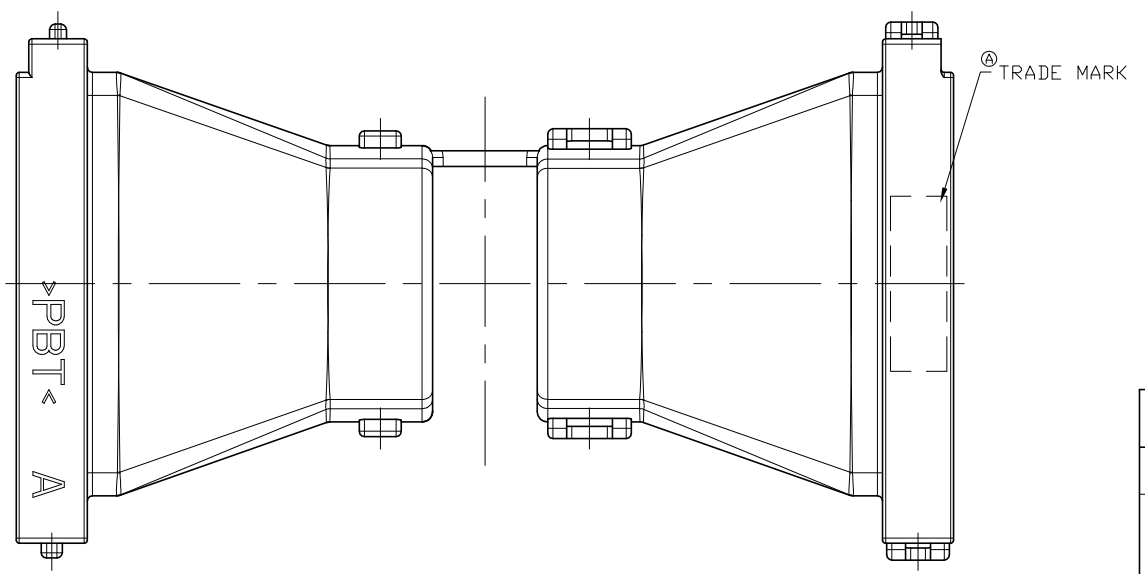
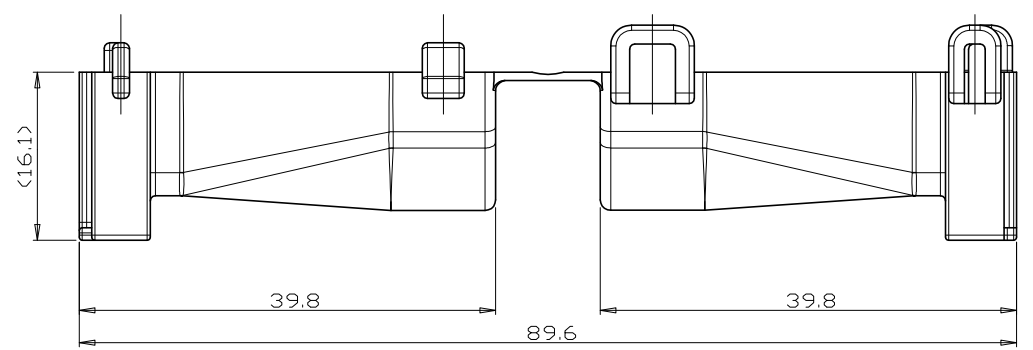
1

THIS DRAWING IS UNPUBLISHED. RELEASED FOR PUBLICATION
 © COPYRIGHT BY TYCO ELECTRONICS CORPORATION. ALL RIGHTS RESERVED.

LOC		DIST		REVISIONS			
DS	—	P	LTR	DESCRIPTION	DATE	DWN	APVD
		A		REVISED (ECR-10-026443)	29/DEC/10	SJ	HG



(SCALE 1:1)



- NOTES:
1. ALL RADII ARE 0.3 EXCEPT AS INDICATED
 2. APPLIED CONNECTOR ASS'Y P/N : X-936421-X
 3. APPLIED CORRUGATE TUBE : Ø19.0

BLACK	PBT(TRIBIT 1503 B) P/N : 2-704773-5	COVER HSG FOR 42P PLUG	0-936615-2
COLOR	MATERIAL	DESCRIPTION	PART NO.

THIS DRAWING IS A CONTROLLED DOCUMENT FOR TYCO ELECTRONICS CORPORATION. IT IS SUBJECT TO CHANGE AND THE CONTROLLING ENGINEERING ORGANIZATION SHOULD BE CONTACTED FOR THE LATEST REVISION.

DIMENSIONS: mm	TOLERANCES UNLESS OTHERWISE SPECIFIED: 0 <XX<10 ± 0.2 10 <XX<30 ± 0.25 30 <XX ± 0.3 ANGLES ± 3°
3rd ANGLE PROJECTION	FINISH
SEE TABLE	

CHK : JW JUNG	TE Connectivity	
APVD : HG CHO	NAME COVER HOUSING FOR MTII/.090/JPT HYBRID 42P PLUG ASSEMBLY CONNECTOR	
PRODUCT SPEC	SIZE	RESTRICTED TO
APPLICATION SPEC	A200779	
WEIGHT	CAGE CODE	
	936615	
	SCALE 2/1	SHEET 1 OF 1
		REV A