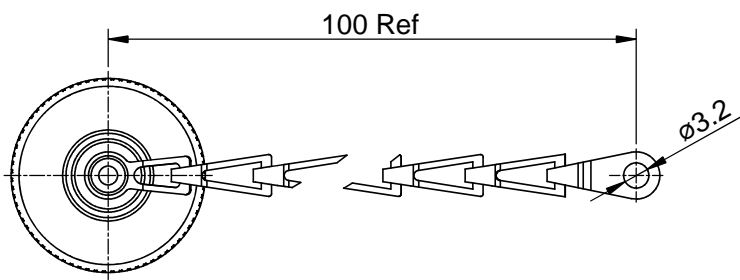
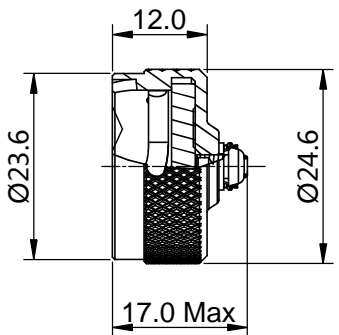


REVISIONS					
REV	ECO	DESCRIPTION	DATE	BY	APPR
B1	-	RELEASED DRAWING	JUN-23-2014	BEN	TOMMY



RT012DC X X  
① ②

**NOTES : (UNLESS OTHERWISE SPECIFIED)**

1. MATERIAL :  
RIVET : COPPER ALLOY,NICKEL PLATING  
CHAIN : STAINLESS STEEL.  
DUST CAP : AL ALLOY , NICKEL PLATED.  
O-RING : NBR.
2. SPECIFICATIONS :  
2.1 OPERATING TEMPERATURE : -40°C ~ +105°C.  
2.2 IP--CLASS : IP67.  
2.3 MATING CYCLES DURABILITY : 500 CYCLES MIN.  
2.4 ROHS COMPLIANT.
3. ALL DIMENSIONS ARE FOR REFERENCE USE ONLY.

P/N	①	②	CHAIN	PLATING
RT012DC	---	---	NO CHAIN	NICKEL PLTING
RT012DCA	---	A	NO CHAIN	BLACK ANODIZING
RT012DCG	G	---	CHAIN	NICKEL PLTING
RT012DCGA	G	A	CHAIN	BLACK ANODIZING

SEE PART NUMBER CHART			
QUANTITY	PART NUMBER	DESCRIPTION	ITEM
<b>MATERIALS LIST</b>			
UNLESS OTHERWISE SPECIFIED 1) All dimensions are in metric(mm). 2) Tolerances are as follows: 1 PL DEC ±0.30 Fractions ±1/64 2 PL DEC ±0.15 Angles ±1° 3 PL DEC ±0.08		SIGNATURES DRAWN: BEN CHECKED: ENGINEER: APPROVAL:	DATE JUN-23-2014
MATERIAL SPECIFICATIONS:		<b>Amphenol</b> Sine Systems - www.amphenol-sine.com 44724 Morley Drive Clinton Township, MI 48036	
PROCESS SPECIFICATIONS:		ECO-MATE,DUSTCAP FOR RECEPTACLES,SIZE 12	
NEXT ASSY:		SIZE B C-	DWG NO. RT012DCxx
		SCALE NONE	REVISION B1
		SHEET 1 OF 1	

TITLE: ECO-MATE,DUSTCAP FOR RECEPTACLES SIZE 12  
DWG NO: RT012DCXX  
REV: B1  
SH: 1  
OF: 1