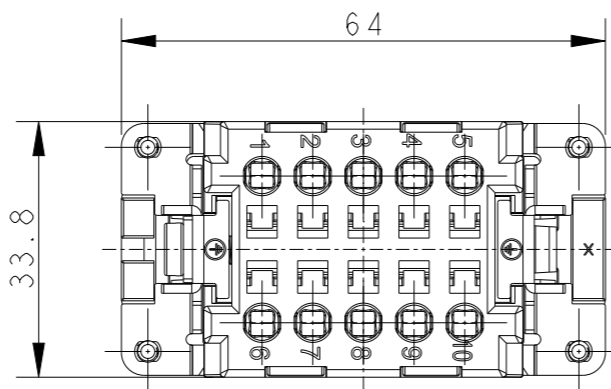
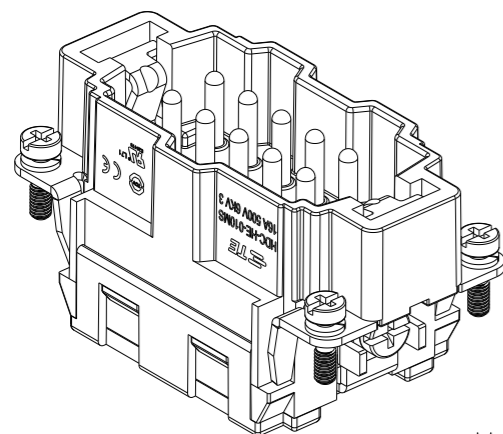


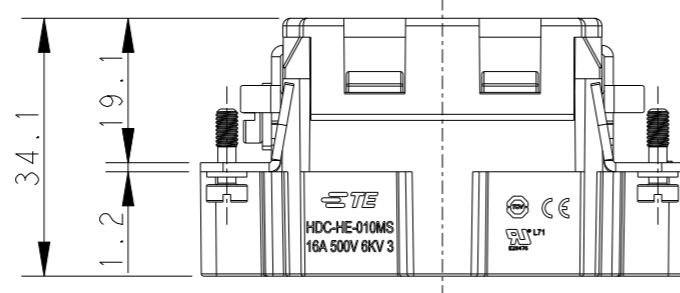
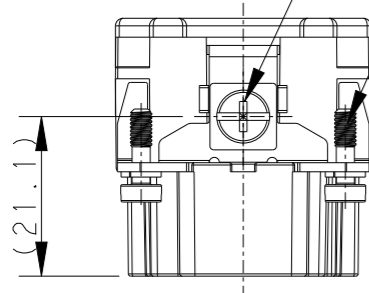
REVISIONS

P	LTR	DESCRIPTION	DATE	DWN	APVD
A		INITIAL RELEASE	08APR2015	GY	CW
B		ECR-15-013759	29SEP2015	DW	CW
B1		ECR-16-009892	13JUL2016	RL	CW
C		ECR-21-106515	09JUL2021	SQ	CW



M4 SCREW, RECOMMENDED TIGHTENING TORQUE 1.2Nm  
M4螺丝, 推荐扭力矩为1.2Nm

4X M3 SCREW RECOMMENDED TIGHTENING TORQUE 0.5Nm  
4 X M3螺丝, 推荐扭力矩为 0.5Nm

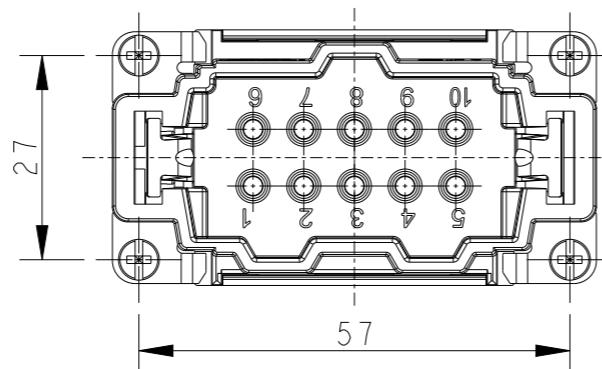
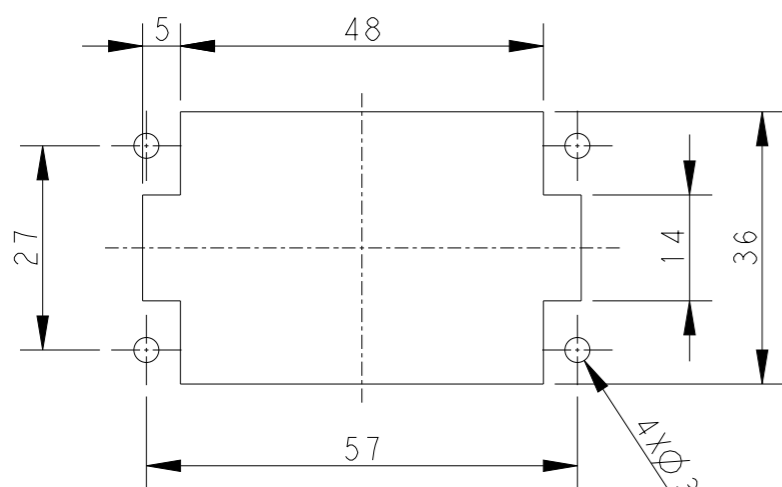


NOTES:

1. TECHNICAL CHARACTERISTICS:  
 INSULATION MATERIAL: PC  
 RATED VOLTAGE: 500V  
 RATED CURRENT: 16A  
 INSULATION RESISTANCE:  $\geq 400M\Omega$   
 RATED IMPULSE VOLTAGE: 6KV  
 POLLUTION DEGREE: 3  
 FLAMMABILITY: UL94V-0  
 MATING CYCLES: 500 CYCLES  
 WIRE RANGE:  $0.5mm^2 \sim 2.5mm^2$  (AWG20-AWG14)  
 CONTACT FINISH: SILVER PLATED  
 CONTACT TYPE: SPRING CLAMP

注释:

1. 技术参数:  
 绝缘材料: PC  
 额定电压: 500V  
 额定电流: 16A  
 绝缘电阻:  $\geq 400M\Omega$   
 脉冲电压: 6KV  
 污染等级: 3  
 阻燃等级: UL94V-0  
 插拔次数: 500 次  
 接线范围:  $0.5mm^2 \sim 2.5mm^2$  (AWG20-AWG14)  
 端子表面处理: 镀银  
 接线类型: 弹片压接



T2040103101-001	HE-010-MS	HE-010 MALE INSERT, WITH STAINLESS STEEL SCREW, SPRING CLAMP HE-010公插, 带不锈钢螺丝, 弹片	STAINLESS STEEL	STAINLESS STEEL
T2040103101-000	HE-010-MS	HE-010 MALE INSERT, SPRING CLAMP HE-010公插, 弹片	STEEL	STEEL
PART NUMBER 料号	PART DESCRIPTION 描述	FIXING SCREW MAT'L 压线螺丝材质	GROUND CONTACT SCREW MAT'L 接地连接螺丝材质	

PANEL CUT OUT FOR INSERTS FOR USE WITHOUT HOODS/HOUSING  
不使用防护外壳时芯件的安装开孔图

THIS DRAWING IS A CONTROLLED DOCUMENT.

DIMENSIONS:	TOLERANCES UNLESS OTHERWISE SPECIFIED:
mm	
	0 PLC ±-
	1 PLC ±-
	2 PLC ±-
	3 PLC ±-
	4 PLC ±-
	ANGLES ±-
MATERIAL	FINISH
-	-

DWN	08APR2015
Gino.Yao	
CHK	08APR2015
Chris.Wang	
APVD	08APR2015
Xiang.Xu	
PRODUCT SPEC	108-137044
APPLICATION SPEC	114-137044
WEIGHT	-
Customer Drawing	

TE Connectivity		NAME		HE-010-MS	
		SIZE	CAGE CODE	DRAWING NO	RESTRICTED TO
A3		00779	T2040103101000		-
SCALE		1:1	SHEET	1 OF 1	REV
					C

# Mouser Electronics

Authorized Distributor

Click to View Pricing, Inventory, Delivery & Lifecycle Information:

[TE Connectivity:](#)

[T2040103101-000](#)