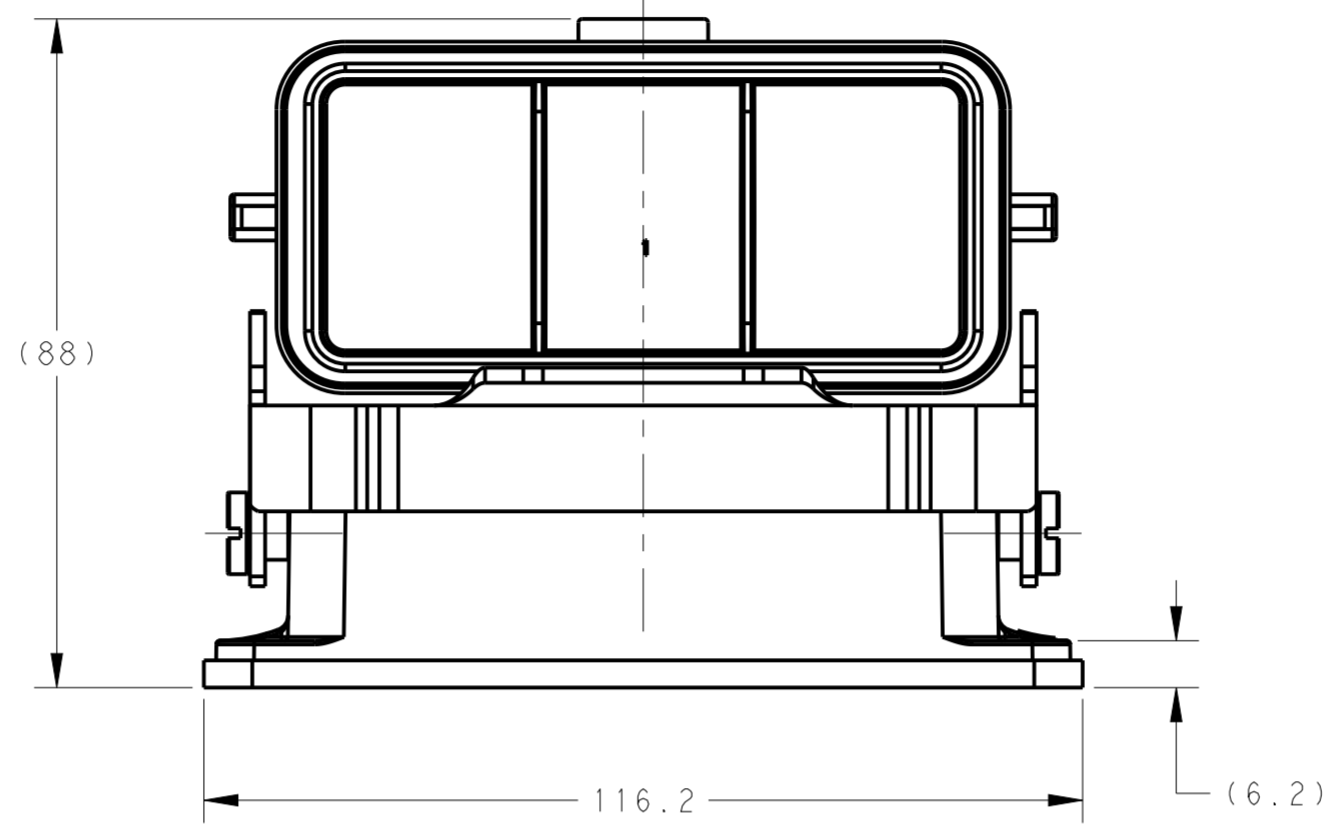
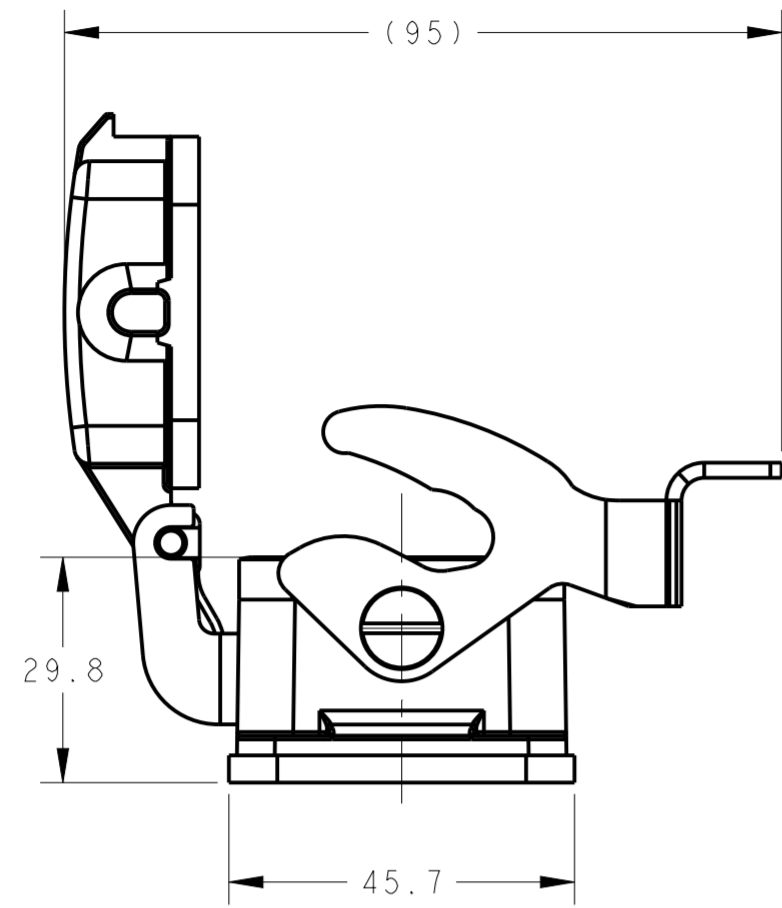


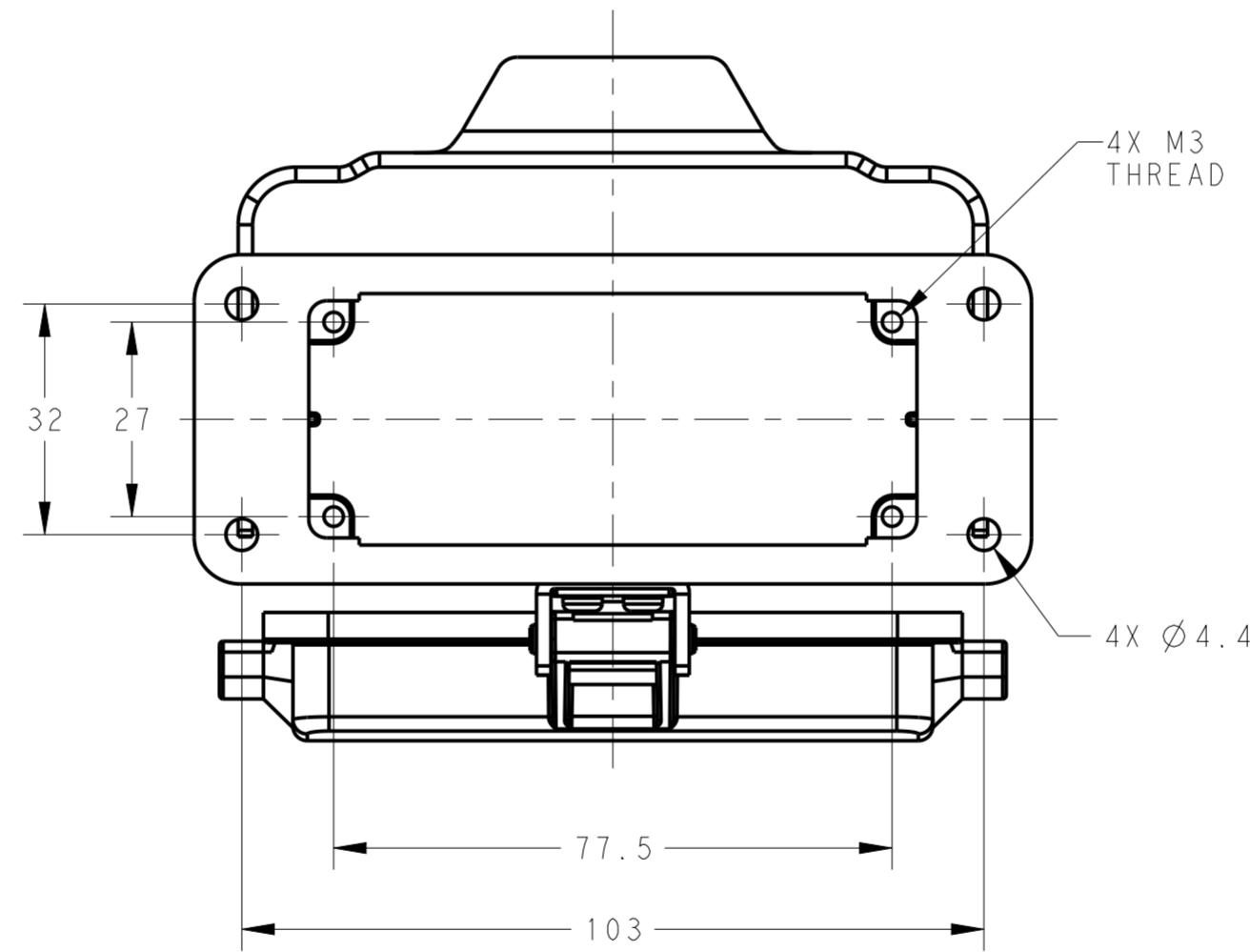
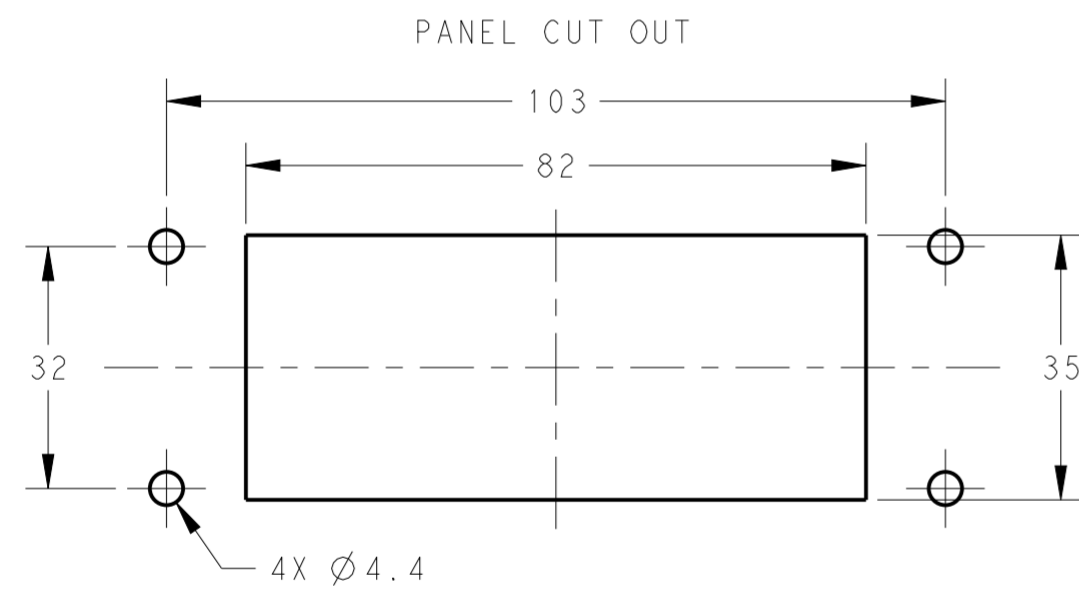
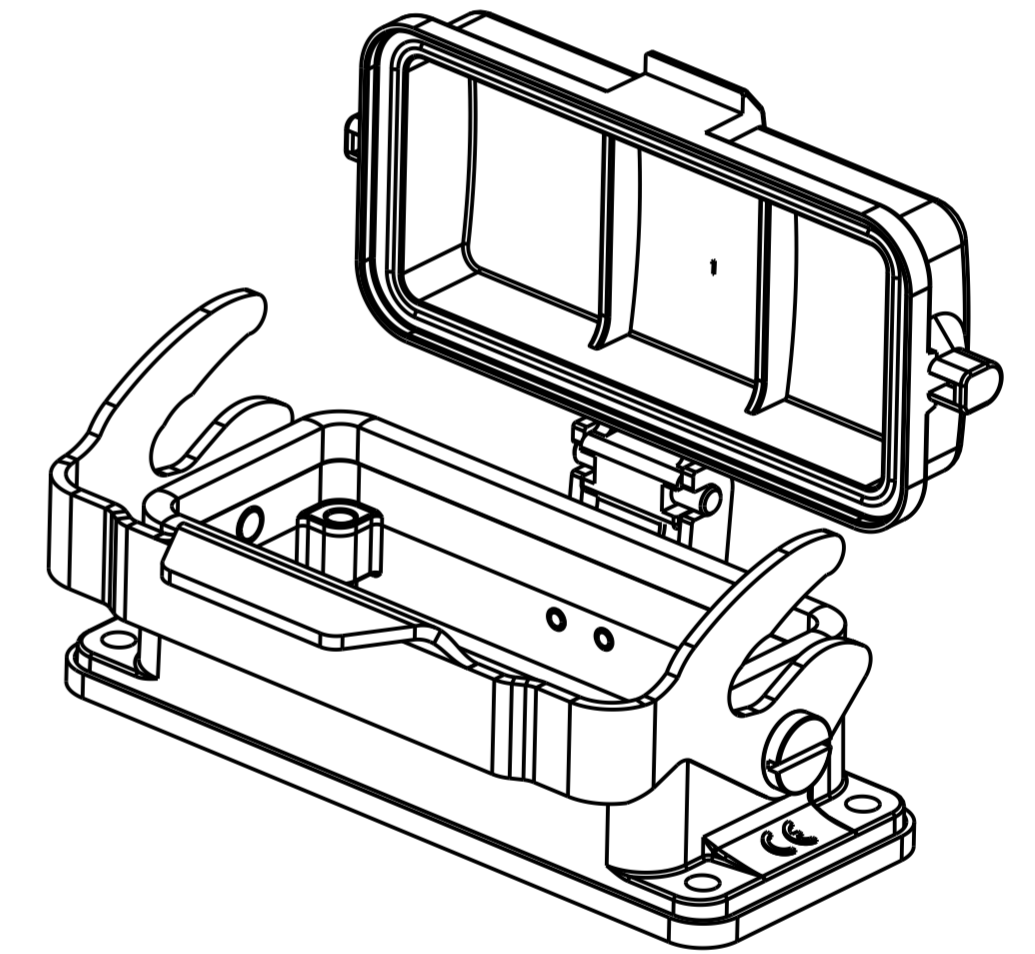
THIS DRAWING IS UNPUBLISHED. RELEASED FOR PUBLICATION 20
 © COPYRIGHT 20 BY - ALL RIGHTS RESERVED.

REVISIONS					
P	LTR	DESCRIPTION	DATE	DWN	APVD
A		INITIAL	25JUN2015	DW	CW
B		ECR-20-008190	16SEP2020	WOR	CW



NOTES:
 1. TECHNICAL CHARACTERISTICS:
 HOUSING MATERIAL: DIE CAST ALUMINIUM ALLOY
 SURFACE: POWDER COATED, GREY
 DEGREE OF PROTECTION: IP65 (MATED)

注释:
 1. 技术参数:
 下壳材料: 铝合金
 表面处理: 粉末涂层, 灰色
 防护等级: IP65(配合)



T1510163000-000	H16B-AD-LB
PART NUMBER	DESCRIPTION

THIS DRAWING IS A CONTROLLED DOCUMENT.		DWN David Wang 25JUN2015	TE Connectivity		
DIMENSIONS: mm		CHK Chris Wang 25JUN2015			NAME H16B-AD-LB
		APVD Xiang Xu 25JUN2015			PRODUCT SPEC 108-137013
TOLERANCES UNLESS OTHERWISE SPECIFIED:		APPLICATION SPEC 114-137013		RESTRICTED TO	
MATERIAL		WEIGHT		SIZE A200779	
-		-		CAGE CODE T1510163000000	
-		Customer Drawing		DRAWING NO T1510163000000	
		SCALE 1:1		SHEET 1 OF 1	
				REV B	