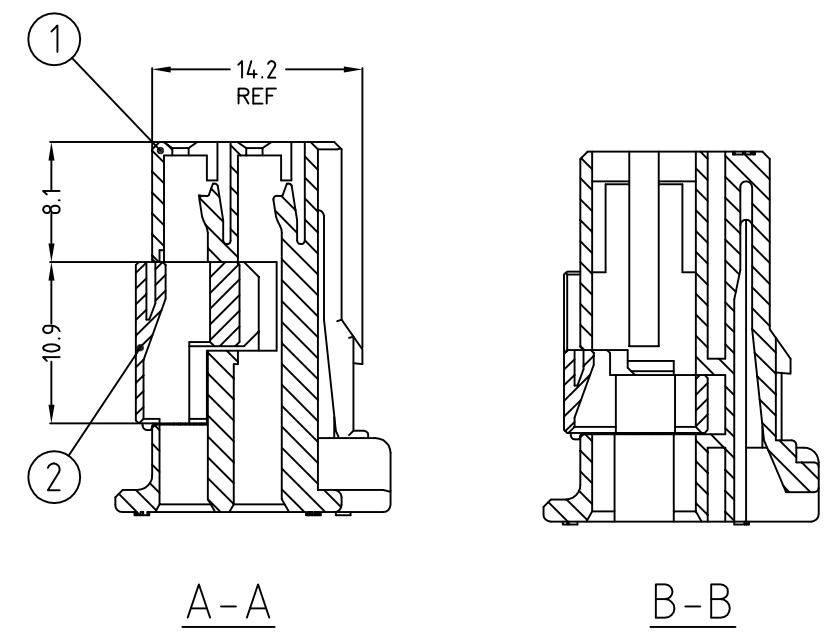
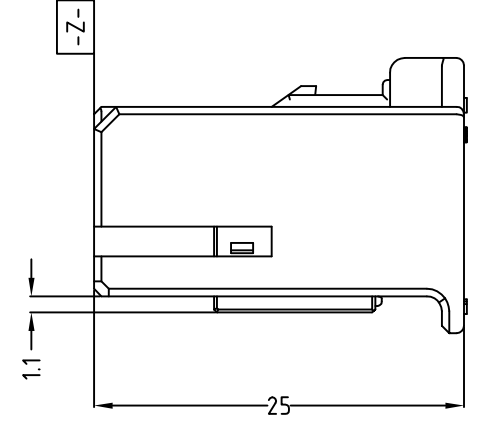
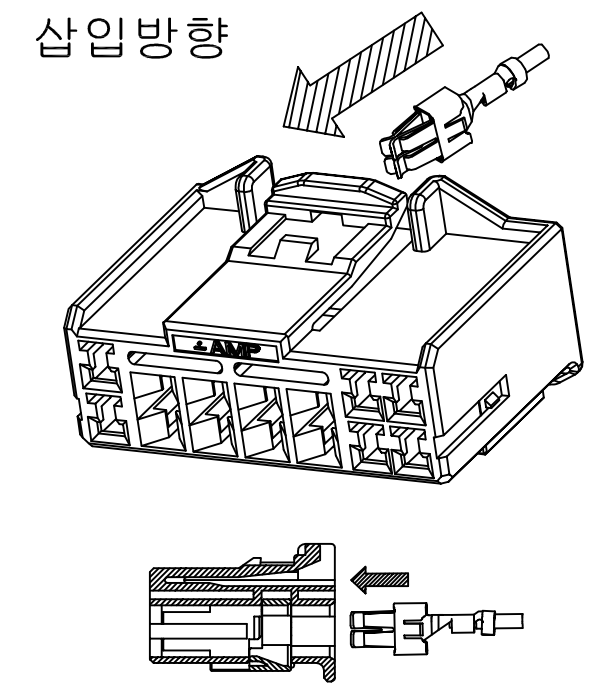
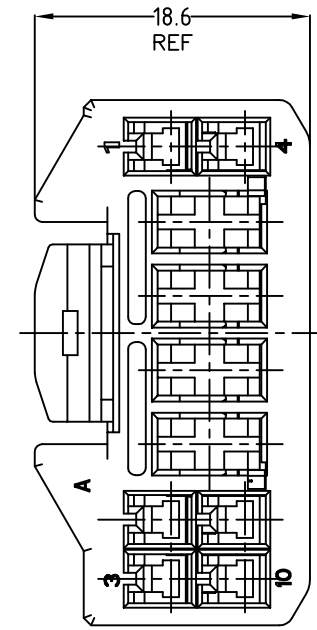
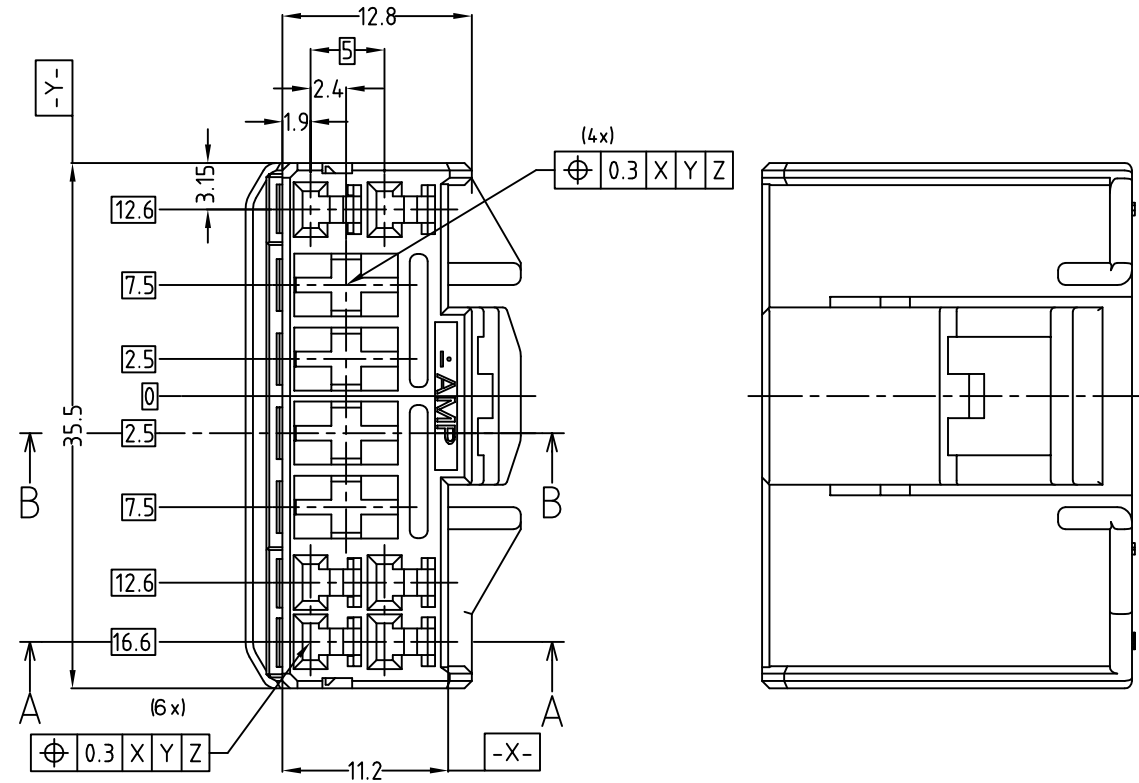


THIS DRAWING IS UNPUBLISHED. RELEASED FOR PUBLICATION  
 © COPYRIGHT BY TYCO ELECTRONICS CORPORATION, ALL RIGHTS RESERVED.

LOC	DIST	REVISIONS					
		P	LTR	DESCRIPTION	DATE	DWN	APVD
DS	-		03	REVISED (ECR-09-006394)	25.MAR.'09	KT	HG
			A	REVISED (ECR-12-019821)	15.NOV.'12	JM	HG



NOTES.  
 1. APPLIED CONTACT P/N ;  
 090 II- 368083,368084,368085  
 090 III- 1743654, 1743655, 1743656  
 S.P.T.- 927840-2,927831-2,927827-2,927829-2  
 2. APPLICABLE PRODUCT SPEC NO. ; 108-61046  
 -추가-  
 1. 적용단자 P/N. ; 090 II - 368083,368084,368085  
 090 III - 1743654,1743655,1743656  
 S.P.T. - 927840-2, 927831-2, 927827-2, 927829-2  
 2. 적용제품 규격서 ; 108-61046

ASS'Y P/N	DESCRIPTION
936363-2	090/250 HYB 10P PLUG ASS'Y
936363-1	090/250 HYB 10P PLUG ASS'Y

NO.	COLOR	MATERIAL	DESCRIPTION	P/N	QTY
2	NATURAL	PBT	DBL HSG	936365-1	1
1	BLACK	PBT	PLUG HSG	936364-2	1
	NATURAL	PBT	PLUG HSG	936364-1	1

THIS DRAWING IS A CONTROLLED DOCUMENT FOR TYCO ELECTRONICS CORPORATION IT IS SUBJECT TO CHANGE AND THE CONTROLLING ENGINEERING ORGANIZATION SHOULD BE CONTACTED FOR THE LATEST REVISION.

DIMENSIONS: MM	TOLERANCES UNLESS OTHERWISE SPECIFIED: 0 <XX<10 ± 0.2 10<XX<30 ± 0.25 30<XX ± 0.3 ANGLES ± 3°	DWN JM JEON CHK JW JUNG APVD HG CHD PRODUCT SPEC APPLICATION SPEC WEIGHT	NAME <b>TE Connectivity</b> .090/250 HYBRID 10P PLUG ASSEMBLY
MATERIAL SEE TABLE	FINISH	CUSTOMER DRAWING	SIZE A3 CAGE CODE 00779 DRAWING NO C-936363 RESTRICTED TO -
		SCALE 2/1	SHEET 1 OF 1 REV A