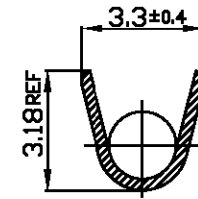
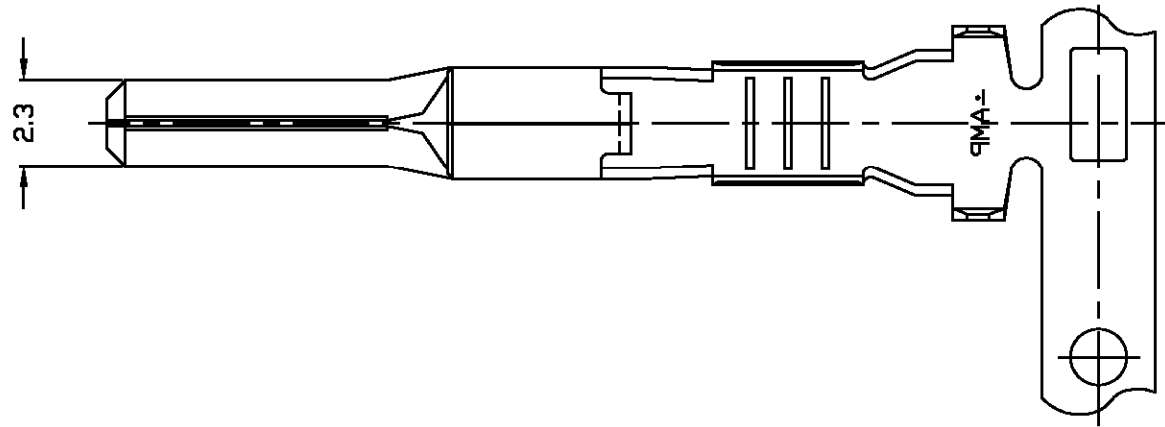
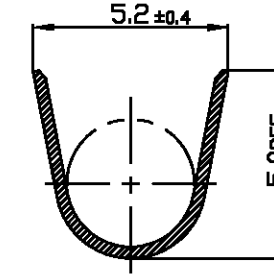


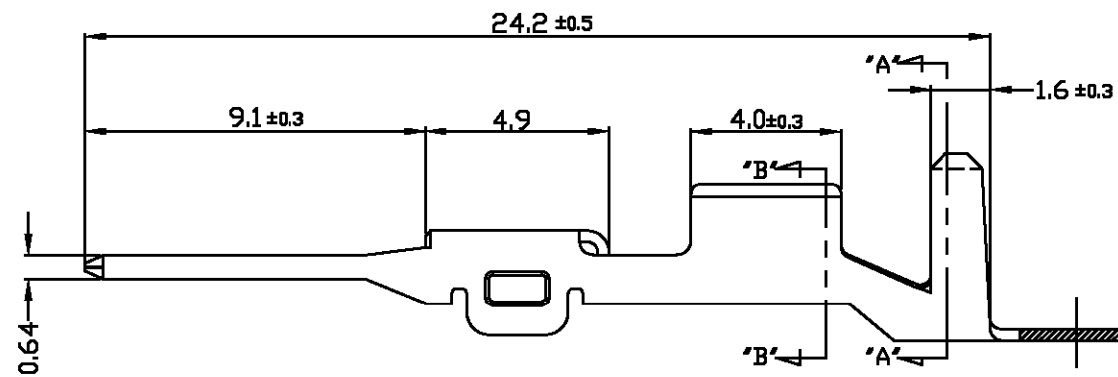
| P | LTR | DESCRIPTION | DATE | DWN | APVD |
|---|-----|----------------------------|-----------|-----|------|
| | □ | RELEASED ECN(FC00-0137-02) | 12/NOV/02 | JW | CS |



SECTION "B-B"



SECTION "A-A"



* NOTES

- 1. WIRE SIZE EQUIV CAVUS 0.85 ~ AVS 1.25sqmm.

| | | |
|---------|----------|-------------|
| PRE-TIN | BRASS | 936261-1 |
| FINISH | MATERIAL | PART NUMBER |

| | | | | | |
|------------------|--|----------------------------|-----------|-------------------------------|-------|
| DWN : JW JUNG | | tyco Electronics | | AMP KOREA, kyungsan, korea | |
| CHK : BM JANG | | | | NAME | |
| APVD : CS LEE | | PRODUCT SPEC | | .090 MLC SEALED TAB CONTACT. | |
| APPLICATION SPEC | | APPLICATION SPEC | | DRAWING NO | |
| WEIGHT | | SIZE | CAGE CODE | DRAWING NO | |
| SEE TABLE | | A3 | 00779 | C-9 3 6 2 6 1 | |
| SEE TABLE | | SCALE 5/1 | | SHEET 1 OF 1 | REV 0 |