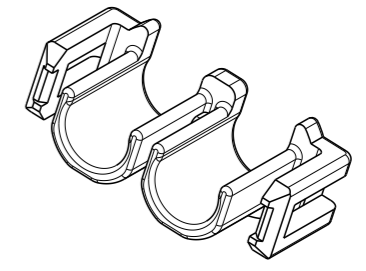
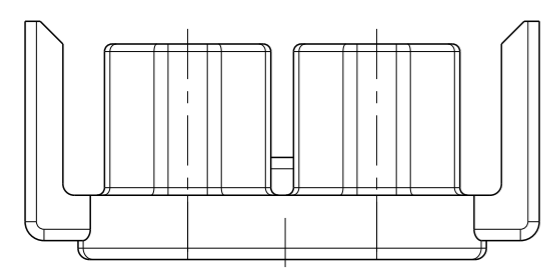
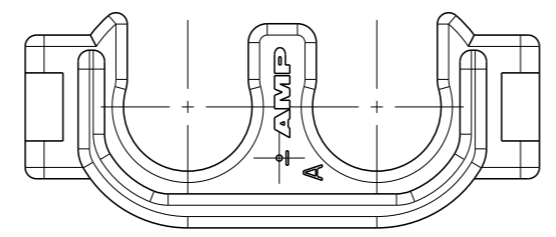
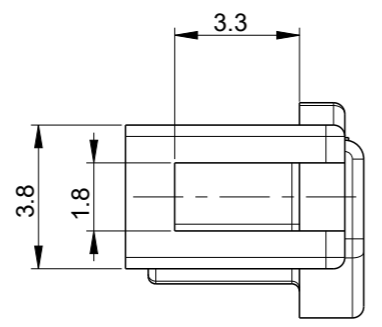
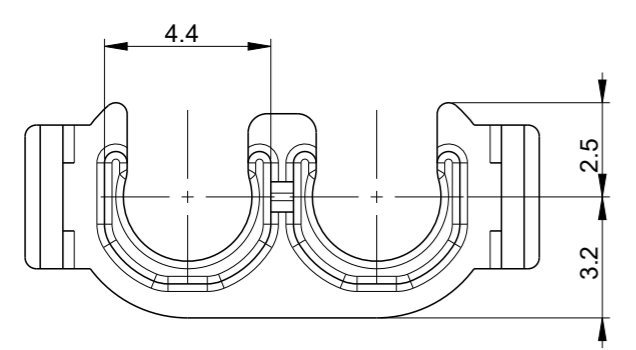
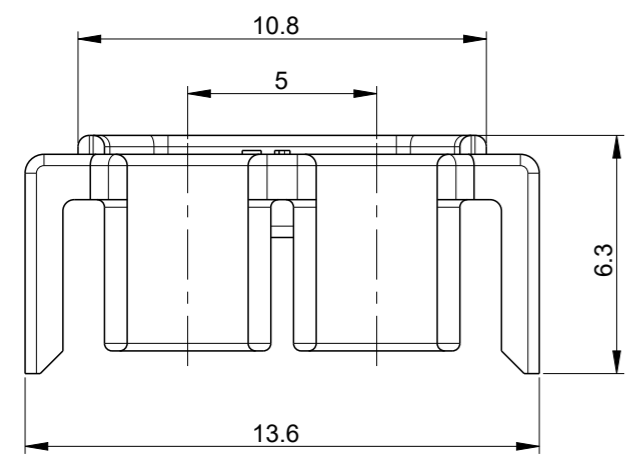


THIS DRAWING IS UNPUBLISHED. RELEASED FOR PUBLICATION 20
 © COPYRIGHT20 BY - ALL RIGHTS RESERVED.

REVISIONS					
P	LTR	DESCRIPTION	DATE	DWN	APVD
	A2	REVISED (ECR-16-005448)	30.MAY.16	KT	HG
	A3	REVISED (ECR-18-000247)	21.DEC.17	JS	YJ
	A4	REVISED (ECR-18-017269)	01.NOV.18	JS	YJ
	A5	REVISED (ECR-20-004115)	18.MAR.20	JH	YJ



SCALE 3:1

DBL CODING	TYPE A	
	<p>SCALE 4:1</p>	<p>SCALE 4:1</p>
TYPE B	<p>SCALE 4:1</p>	
	<p>SCALE 4:1</p>	<p>SCALE 4:1</p>

NOTE

- 1. APPLICABLE PLUG HSG P/N : 936059, 2005388
- 2. GENERAL TOLERANCE : $\pm 0.3, \pm 3^\circ$

TYPE	COLOR	MATERIAL	PART NO.
(A2) B	GRAY	PBT	1-936103-3
(A5) B	BLACK	PBT	1-936103-2
A	GRAY	PBT	0-936103-3
A	BLACK	PBT	0-936103-2
A	YELLOW	PBT	0-936103-1

THIS DRAWING IS A CONTROLLED DOCUMENT.		DWN JW LEE			
DIMENSIONS: mm		CHK BM JANG			
TOLERANCES UNLESS OTHERWISE SPECIFIED:		APVD CS LEE	NAME DBL HSG FOR 2.8mm SEALED 2P PLUG ASSY		
0 PLC \pm		PRODUCT SPEC -	SIZE A3	CAGE CODE 00779	DRAWING NO G-936103
1 PLC \pm		APPLICATION SPEC -	RESTRICTED TO -		
2 PLC \pm		WEIGHT -	SCALE 5:1	SHEET 1	OF 1
3 PLC \pm		MATERIAL SEE TABLE	REV A5		
4 PLC \pm			CUSTOMER DRAWING		
ANGLES \pm					
FINISH -					