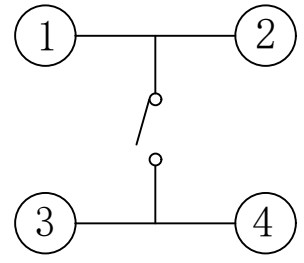
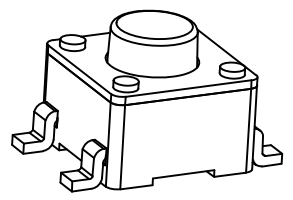
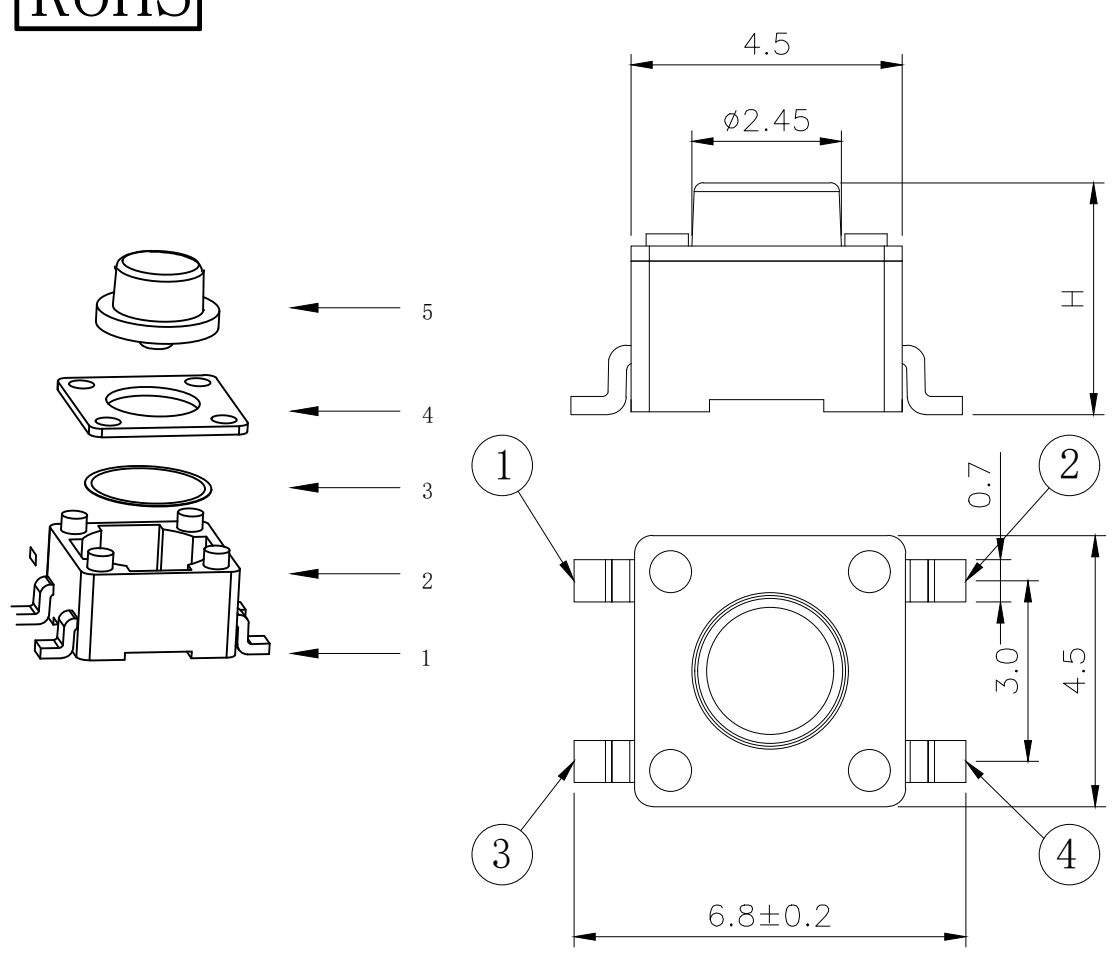


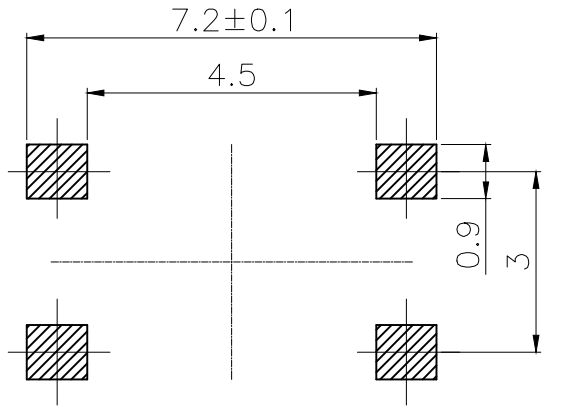
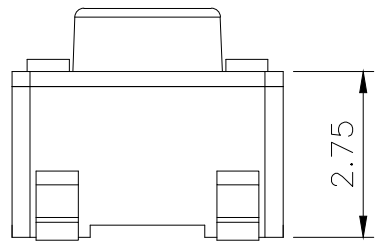
RoHS

CAD GENERATED DRAWING. DON'T CHANGE BY HAND.

REV.	ECN. NO.	APPD.



CIRCUIT DIAGRAM



PCB. WELDING DRAWING

Specification

Operating Life	100,000
Contact rating	50mA@12V DC.
Insulation resistance	1011Ω min.
Contact resistance	100mΩ max. initial.
Dielectric Strength	250 V AC(1mm)
Travel	0.2±0.15mm
Storage Temperature	-30° C to 85° C

Mechanical

Type	Operating Force (gf)	Height (mm)	Button	Leads Shape (G, J, T)	Ground pin (0, 1)	Pegs Option (0, 1)
YTS1H015	250±50	T	4.0	B (BLACK)	G	0 (None)
		P	9.5			
		N	9.0			
		M	8.0			
		L	7.5			
		K	7.0			
		J	6.5			
		H	6.0			
		G	5.5			
		F	5.0			
1	160±50	E	4.8	B (BLACK)	G	0 (None)
		D	4.5			
		C	4.3			
		B	3.8			
		A	3.5			
		ITEM DESCRIPTION MATERIAL QTY FINISH/COLOR				
		E Button PPA 1 Black				
		D COVER Brass 1 Cleaning				
C DOME Stainless Steel 1 Plated Ag						
B HOUSING PPA 1 Black						
A PIN PHOSPHOR BRONZE 1 Plated Ag						

X. ±0.50	X.° ±2°	UNITS mm
.X ±0.30	.X° ±1°	
.XX ±0.10	.XX° ±0.5°	MAT'L
.XXX ±0.05		
THESE DRAWINGS AND SPECIFICATIONS ARE THE PROPERTY OF YIYUAN TECHNOLOGY CO.,LTD AND SHALL NOT BE REPRODUCED, COPIED OR USED IN ANY MANNER WITHOUT THE PRIOR WRITTEN CONSENT OF YIYUAN TECHNOLOGY CO.,LTD		FINISH
		Q'TY

Packaging:
 Reel of 2,000 pieces for 3.5~4.5H.
 Reel of 1,500 pieces for 4.8~5.5H.
 Reel of 1,000 pieces for 6.0~9.5H.

深圳市怡远科技有限公司
SHENZHEN YIYUAN TECHNOLOGY CO., LTD

PART NO.
YTS1H015

TITLE:
TACTILE SWITCH 4.5*4.5 SMT

APPD: ROGER

CHKD: ROC

DR: BILLY WANG 2020/08/21

DWG NO. :
YTS1H015

SCALE	SHEET	REV.
1/1	1/1	A1