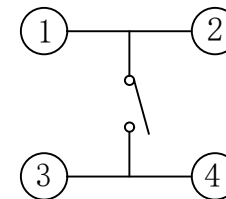
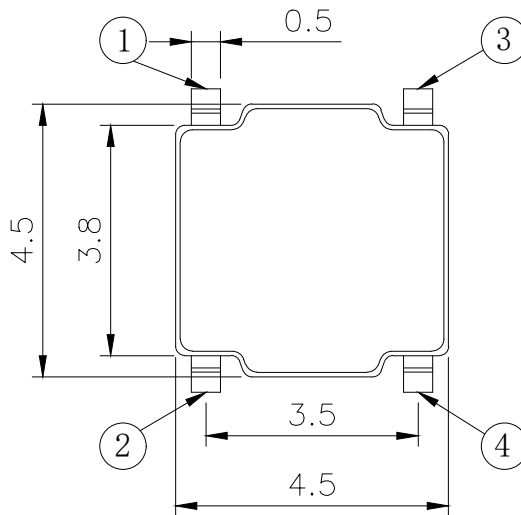
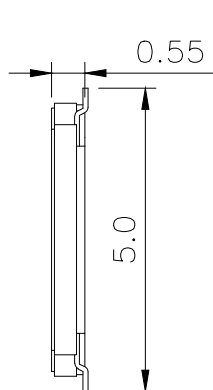
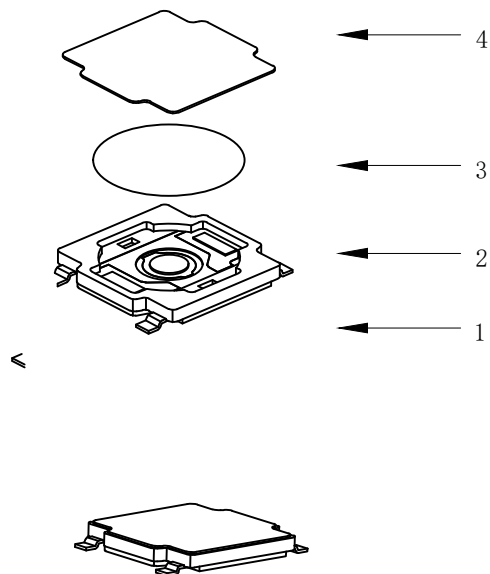
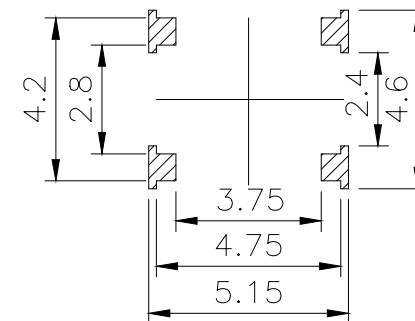


CAD GENERATED DRAWING. DON'T CHANGE BY HAND.

REV.	ECN. NO.	APPD.



CIRCUIT DIAGRAM



PCB. WELDING DRAWING

Specification

Operating Life	100,000
Contact rating	50mA@12V DC.
Insulation resistance	1011 Ω min.
Contact resistance	100mΩ max. initial.
Dielectric Strength	250 V AC(1mm)
Travel	0.15±0.1mm
Storage Temperature	- 30° C to 80° C

Packaging:
a reel of 5,000 pieces

C	DOMES	Stainless Steel	1	Plated Ag
B	HOUSING	LCP	1	Black
A	CARDS	Phosphor copper	1	Plated Ag
ITEM	DESCRIPTION	MATERIAL	QTY	FINISH/COLOR

Mechanical

P/N	Operating Force (gf)	Height mm	Button	Leads Shape (G, J, T)	Ground pin (0, 1)	Pegs Option (0, 1)
YTS1H001	2	250±50	/	G	0 (None)	0 (none)
	1	180±50	A	0.55		

X.	±0.50	X.°	± 2°	UNITS mm
.X	±0.30	.X°	± 1°	
.XX	±0.10	.XX°	± 0.5°	MAT'L
.XXX	± 0.05			

THESE DRAWINGS AND SPECIFICATIONS ARE THE PROPERTY OF YIYUAN TECHNOLOGY CO.,LTD AND SHALL NOT BE REPRODUCED, COPIED OR USED IN ANY MANNER WITHOUT THE PRIOR WRITTEN CONSENT OF YIYUAN TECHNOLOGY CO.,LTD

FINISH	/
Q' TY	/



深圳市怡远科技有限公司
SHENZHEN YIYUAN TECHNOLOGY CO., LTD

PART NO.	YTS1H001
APPD:	ROGER
CHKD:	ROC
DR:	BILLY WANG 2020/08/21

TITLE:	TACTILE SWITCH		
DWG NO.:	YTS1H001		
SCALE	SHEET	REV.	
1/1	1/1	A1	

