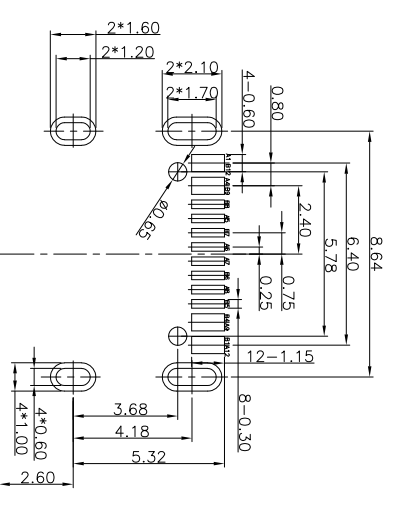
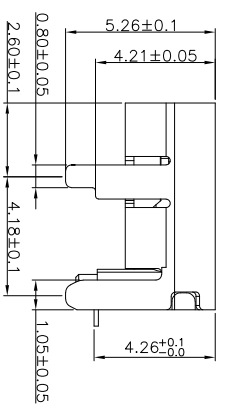
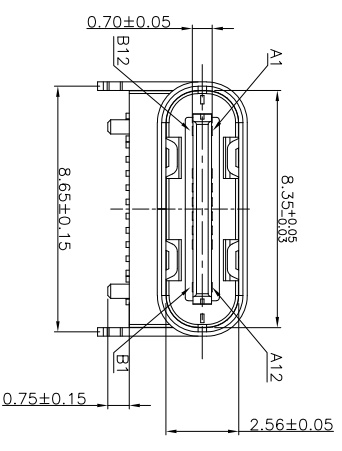
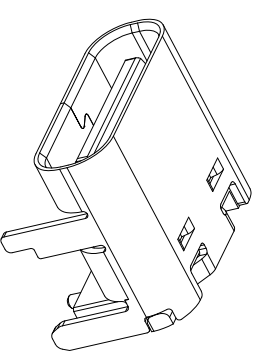
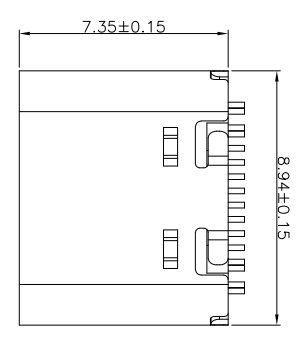
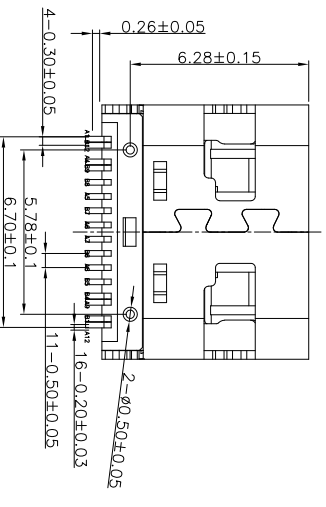


REV.	ECN. NO.	APPD.
A		

- NOTES:  
SPECIFICATION:
- CURRENT RATING: 5A MAX
  - VOLTAGE: 100 VAC
  - TEMPERATURE RANGE: -30 °C ~ 85 °C
  - CONTACT RESISTANCE: 40 MILLIONHM MAX
  - INSULATION RESISTANCE: 100 MEGOHMS MIN.
  - INSERTION FORCE : 5N~20N
  - UNMATING FORCE: 8N~20N
  - DURABILITY: 10,000 CYCLES



CONNECTOR FRONT EDGE  
RECOMMENDED P.C.B. LAYOUT  
TOLERANCE UNSPECIFIED ±0.05mm



A1	GND	B12	GND	6	SHELL	STAINLESS STEEL	NI/SN Plated	1PCS
A4	VBUS	B9	VBUS	5	SHIELDING PLATE	STAINLESS STEEL	---	1PCS
A5	CC1	B8	SBUS2	4	MD	HIGH TEMPERATURE PLASTIC	BLACK	1PCS
A6	DP1	B7	DN2	3	CONTACT	COPPER ALLOY	Au/Ni Plated	1SET
A7	DNI	B6	DP2	2	CONTACT	COPPER ALLOY	Au/Ni Plated	1SET
A8	SBUS1	B5	CC2	1	HOUSING	HIGH TEMPERATURE PLASTIC	BLACK	1PCS
A9	VBUS	B4	VBUS					
A12	GND	B1	GND					
PIN	SIGNAL NAME	PIN	SIGNAL NAME	NO.	DESCRIPTION	MATERIAL	REMARKS	QTY

X. ±0.30	X.° ±5°	UNITS	mm	NAME(INTENDED USE)	
.X ±0.20	.X° ±2°	MATL			
.XX ±0.10	.XX° ±1°				
.XXX ±0.05	.XXX° ±0.5°	FINISH			
TYPE C CONNECTOR		QTY		PART NO.(INTENDED USE)	TITLE:
				DR: ZOE 2022-06-10	TYPE C 16P母座加高1.0 H=4.25无弹
				APPD: SUNNY	DWG NO.:
				CHKD: LISA	24018-UCAF001-A
					SCALE SHEET REV.
					1/1 1/1 A

**MINTRON CO.,LTD.**