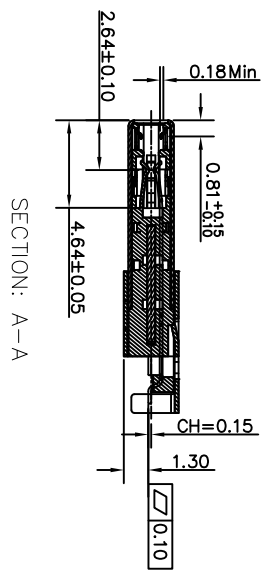
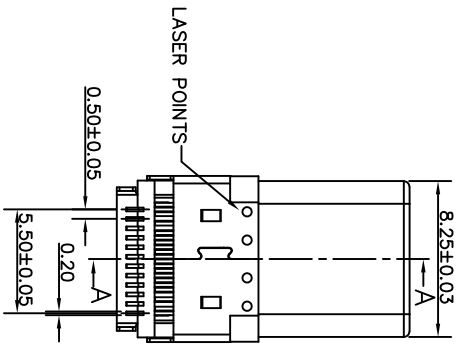
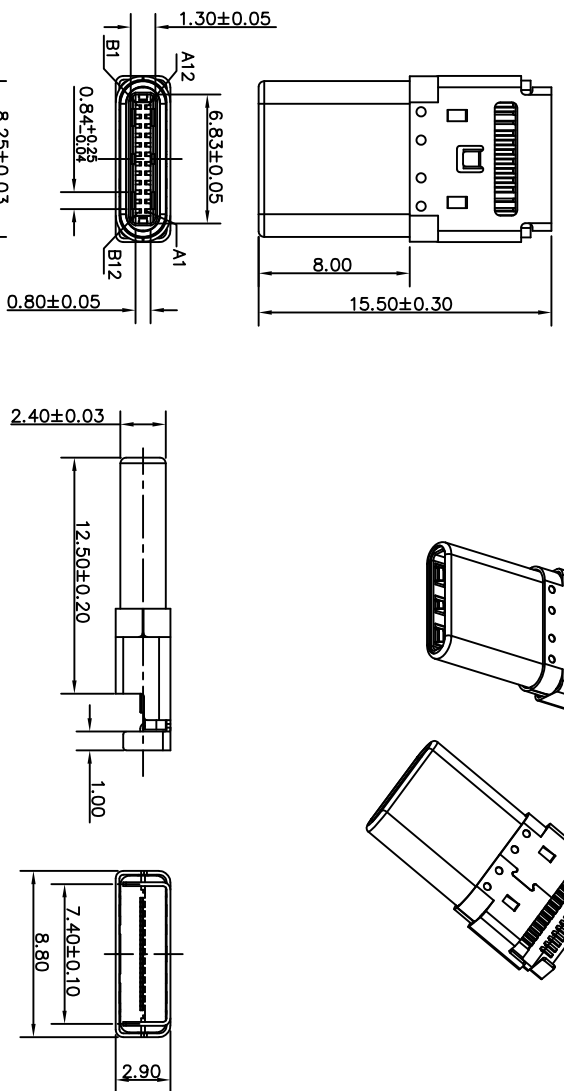
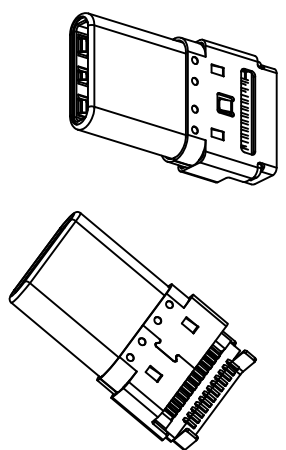


REV.	ECN. NO.	APPD.
A		



- NOTE:
- Electrical Characteristics:
 Current Rating: 5A For Pin(A4,A9,B4,B9)
 1.25A For Others Pin
 Insulation Resistance: 100MΩ Min.
 Contact Resistance: 40 mΩ Max.
 Dielectric Withstanding Voltage: 100V/AC 1Minute
 - Mechanical Characteristics:
 Insertion Force: 5~20N
 Extraction Force: Initial: 8~20N
 After durability: 6~20N
 - Salt Spray : 24H
 - Operating Temperature: -30°C TO +85°C

ITEM	NAME	QTY	MATERIAL	DESCRIPTION
①	Shield	1	Stainless Steel	Bright Nickel Plating
②	Housing	4	LCP	Color: Black
③	Latch	1	Stainless Steel	
④	Contact	24	Copper Alloy	3μ" gold plated on Contact area, Mate Tin plated on Solderwatts, Nickel underplating over all
⑤	Edge Spring	2	Stainless Steel	
⑥	Shell	1	Stainless Steel	Bright Nickel Plating

X.	± 0.30	X.°	± 5°	UNITS	mm
.X	± 0.20	.X°	± 2°	MATL	
.XX	± 0.10	.XX°	± 1°	FINISH	
.XXX	± 0.05	.XXX°	± 0.5°		

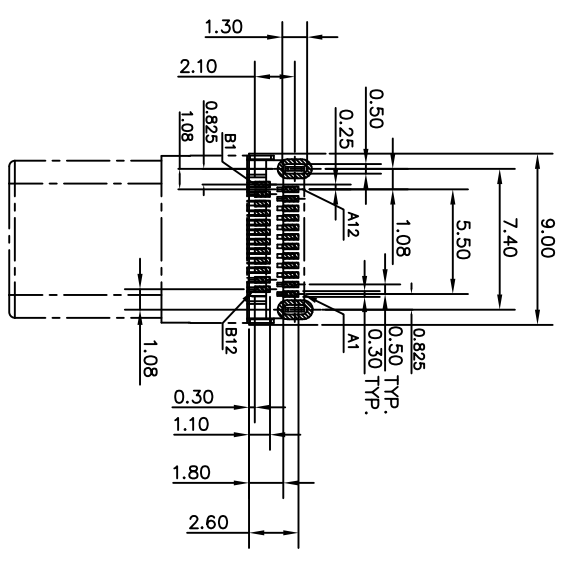
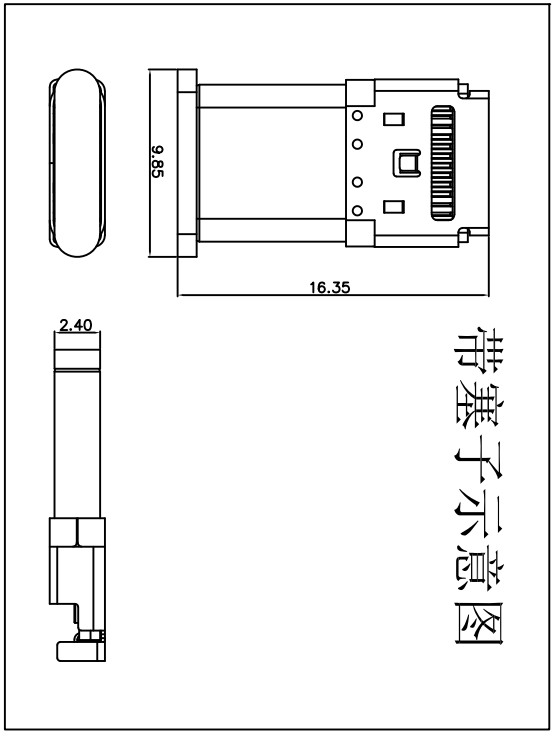
NAME(INTENDED USE)		TITLE:	
PART NO.(INTENDED USE)		TYPE C 24P公头拉伸沉板 L=15.5	
APPD:	SUNNY	DWG NO.:	I7003-UCAM001-X
CHKD:	LISA	SCALE	SHEET
DR:	ZOE	2022-06-10	1/1

MINTRON CO.,LTD.

SCALE	SHEET	REV.
1/1	1/1	A

REV.	ECON. NO.	APPD.
A		

带塞子示意图



USB TYPE-C FULL-FEATURED RECEPTACLE INTERFACE PIN ASSIGNMENTS

PIN	Signal Name	Description	PIN	Signal Name	Description
A1	GND	Ground return	B12	GND	Ground return
A2	SSTxp1	Positive half of first SuperSpeed TX differential pair	B11	SSRPx1	Positive half of first SuperSpeed RX differential pair
A3	SSTxn1	Negative half of first SuperSpeed TX differential pair	B10	SSRXn1	Negative half of first SuperSpeed RX differential pair
A4	Vbus	Bus Power	B9	VBUS	Bus Power
A5	CC1	Configuration Channel	B8	SBU2	Sideband Use(SBU)
A6	Dp1	Positive half of the USB 2.0 differential pair--Position 1	B7	Dn2	Positive half of the USB 2.0 differential pair--Position 2
A7	Dn1	Negative half of the USB 2.0 differential pair--Position 1	B6	Dp2	Negative half of the USB 2.0 differential pair--Position 2
A8	SBU1	Sideband Use(SBU)	B5	CC2	Configuration Channel
A9	VBUS	Bus Power	B4	VBUS	Bus Power
A10	SSRXn2	Negative half of second SuperSpeed RX differential pair	B3	SSTxn2	Negative half of second SuperSpeed TX differential pair
A11	SSRPx2	Positive half of second SuperSpeed RX differential pair	B2	SSTPx2	Positive half of second SuperSpeed TX differential pair
A12	GND	Ground return	B1	GND	Ground return

RECOMMENDED P.C.B. LAYOUT
 T=0.80 OR 1.00mm
 TOLERANCE UNSPECIFIED ±0.05mm

X.	± 0.30	X°	± 5°	UNITS	mm
.X	± 0.20	.X°	± 2°	MAT'L	
.XX	± 0.10	.XX°	± 1°		
.XXX ± 0.05	.XXX° ± 0.5°			FINISH	

TYPE C CONNECTOR	QTY
------------------	-----

NAME/(INTENDED USE)	TITLE:
PART NO./(INTENDED USE)	TYPE C 24P公头拉伸沉板 L=15.5
APPD: SUNNY	DWG NO.:
CHKD: USA	17003-UCAM001-X
DR: ZOE	SCALE SHEET REV.
2022-06-10	1/1 1/1 A

MINTRON CO., LTD.

