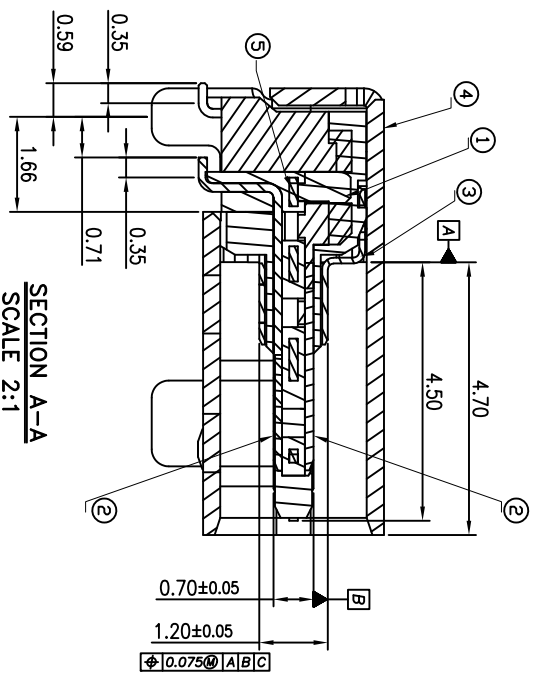
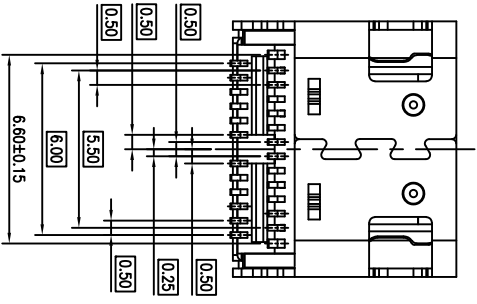
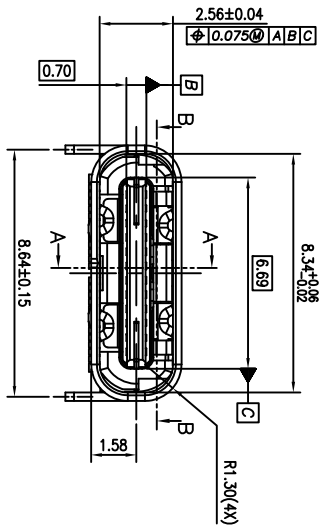
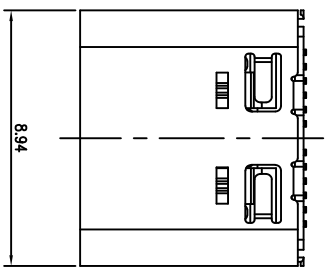
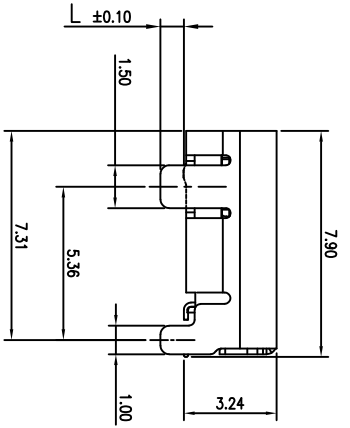


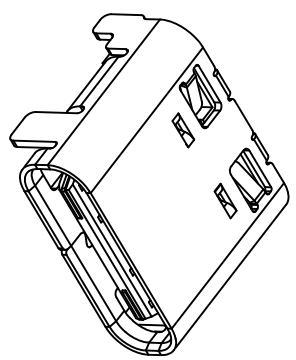
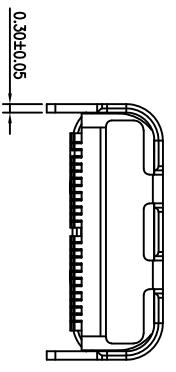
REV.	ECN. NO.	APPD.
A		



SECTION A-A
SCALE 2:1



SECTION B-B
SCALE 1:1

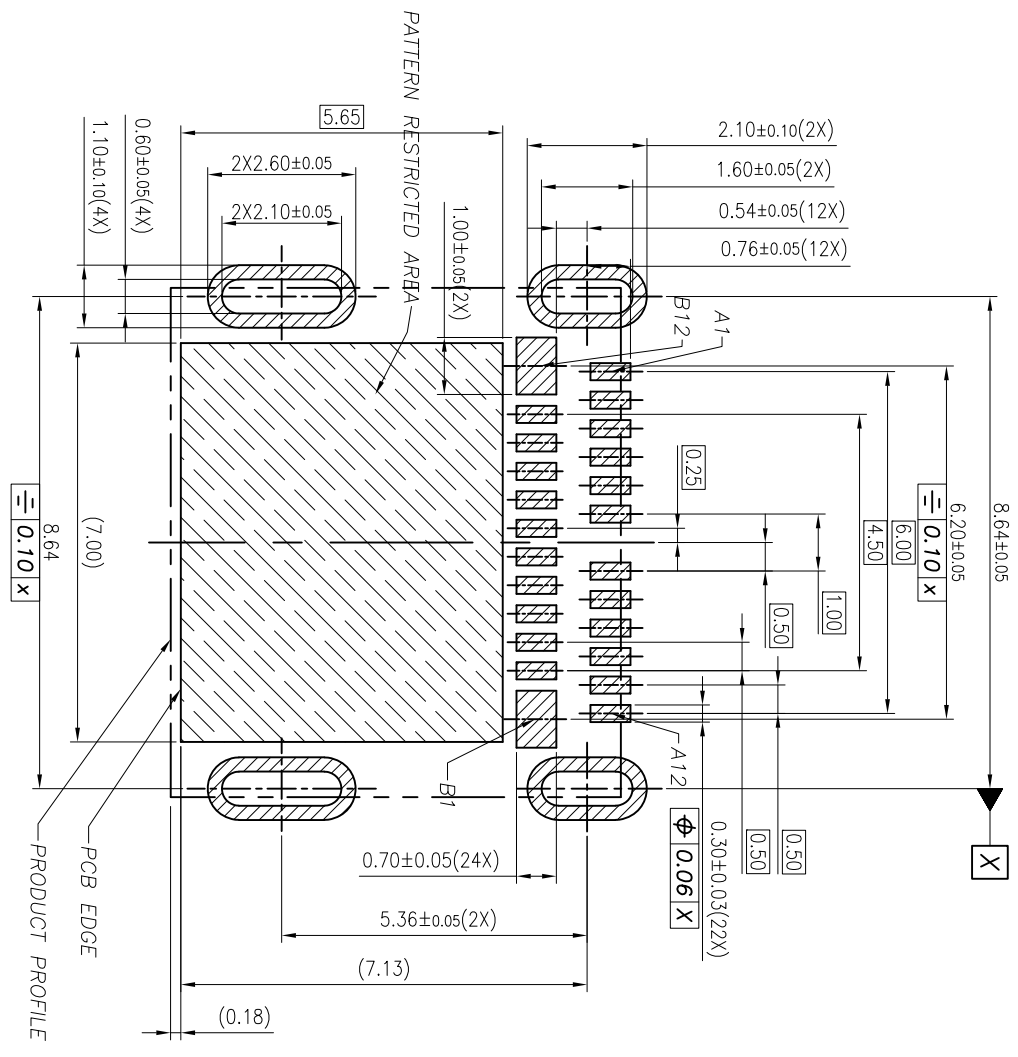


X. ±0.30	X° ±5°	UNITS	mm	NAME/(INTENDED USE)	MINTRON CO.,LTD. TITLE: TYPE C 24P 母接板上双排 SMT (MOLEX款) DWG NO.: 12006-UCAF002-X
X ±0.20	X° ±2°	MATL		PART NO.(INTENDED USE)	
.XX ±0.10	.XX° ±1°	FINISH		APPD: SUNNY	
XXX ±0.05	XXX° ±0.5°			CHKD: LISA	
USB (Type C)				QTY	DR: Wang Guan
					2014-10-20
					SCALE 1/1
					SHEET 1/1
					REV. A

REV.	ECN. NO.	APPD.
A		

- NOTE:
- MATERIAL SPECIFICATION:
 - HOUSING: HIGH TEMPERATURE RESISTANT PLASTIC, WITH 30%GLASS FILLED, UL94 V-0 BLACK.
 - CONTACTS: COPPER ALLOY
 - EMI SPRING: STAINLESS STEEL
 - FRONT SHELL: STAINLESS STEEL
 - MIDDLE BLADE: STAINLESS STEEL
 - PLATING SPECIFICATION:
 - CONTACTS:
 - 50u" MIN. UNDER PLATED OVER ALL.
 - 30u" Au PLATED ON THE FUNCTIONAL AREA OF CONTACT.
 - 10u" Au GOLD FLASH PLATED ON SOLDER AREA.
 - EMI SPRING: CLEANING ONLY
 - FRONT SHELL:
 - 50u" MIN. UNDER PLATED OVER ALL.
 - 40u" MIN. UNDER PLATED OVER ALL.
 - MIDDLE BLADE:
 - 40u" MIN. UNDER PLATED OVER ALL.
 - 80u" Min PLATED ON SOLDER AREA.

- MECHANICAL PERFORMANCE,
 - INSERTION FORCE: 0.5~2.0kgf.
 - REMOVAL FORCE: 0.8kgf~2.0kgf.
 - DURABILITY: 10000 CYCLES.
- ELECTRICAL PERFORMANCE,
 - CURRENT RATING: 5.0A VOLTAGE RATING: 5.0V
 - LCR: VBUS & GND PINS AND OTHER PINS: 40mΩ/PIN MAX. SHIELD: 50mΩ/MAX. LCR MAX. CHANGE OF ALL PINS: 10mΩ
 - INSULATION RESISTANCE: 100MΩ MIN
 - DIELECTRIC WITHSTAND VOLTAGE: AC 100V FOR 1 MINUTE.
- ENVIRONMENTAL PERFORMANCE:
 - OPERATING TEMPERATURE: -25°C~+85°C.
 - IR REFLOW: THE PEAK TEMPERATURE ON THE BOARD SHALL BE MAINTAINED FOR 10 SECONDS AT 260°C.



RECOMMENDED PCB LAYOUT(TOP VIEW)
 DEFAULT TOLERANCE: ±0.05

PIN ASSIGNMENT											
A1	A2	A3	A4	A5	A6	A7	A8	A9	A10	A11	A12
GND	TX1+TX1-	VBUS	CC1	D+	D-	SBU1	VBUS	RX2-	RX2+	GND	
GND	RX1+RX1-	VBUS	SBU2	D-	D+	CC2	VBUS	TX2-	TX2+	GND	
B12	B11	B10	B9	B8	B7	B6	B5	B4	B3	B2	B1

X.	±0.30	X°	±5°	UNITS	mm
X	±0.20	X°	±2°	MATL	
.XX	±0.10	.XX°	±1°		
.XXX	±0.05	.XXX°	±0.5°	FINISH	
USB(Type C)					
QTY					

NAME(INTENDED USE)	PART NO.(INTENDED USE)
APPD: SUNNY	
CHKD: USA	
DR: Wang Guan	2014-10-20

MINTRON CO.,LTD.

TITLE:
TYPE C 24P 母板上双排 SMT (MOLEX款)

DWG NO.: 12006-UCAR002-X

SCALE 1/1

SHEET 1/1

REV. A