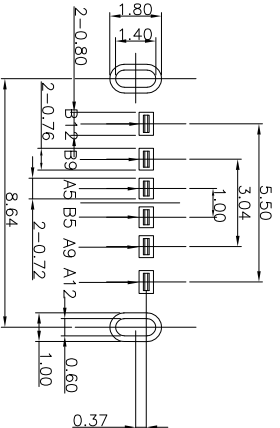
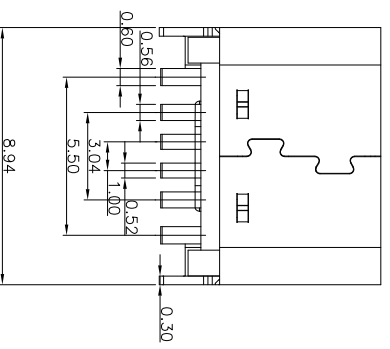
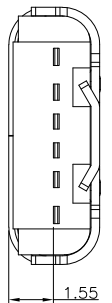
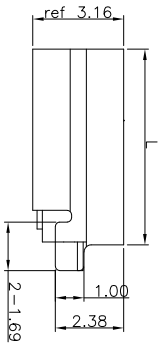
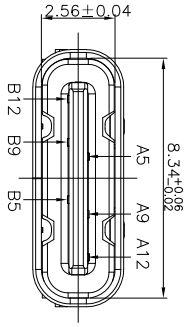
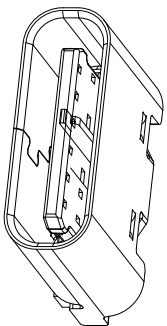
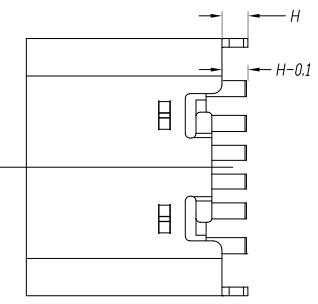


REV.	ECN. NO.	APPD.
A		



RECOMMENDED P.C.B. LAYOUT  
TOLERANCE UNSPECIFIED ±0.05mm

NOTE:

- MATERIAL SPECIFICATION:
  - HOUSING: HIGH TEMPERATURE RESISTANT PLASTIC, UL94 V-0.
  - CONTACTS: COPPER ALLOY
  - MID PLATE: STAINLESS STEEL
  - FRONT SHELL: STAINLESS STEEL
- PLATING SPECIFICATION:
  - CONTACTS: Ni 50μ MIN. UNDER PLATED OVER ALL. Au PLATED ON THE FUNCTIONAL AREA OF CONTACT. (GOLD PLATING THICKNESS FOLLOW THE P/N)
- FRONT SHELL:
  - PLATING SPECIFICATIONS OF THE SOLDER AREA FOLLOW THE P/N SEE TABLE.
- SHIELD PLATE/RENT PLATE: CLEAR ONLY
- MECHANICAL PERFORMANCE,
  - INSERTION FORCE: 0.5<sup>°</sup>2.0kgf.
  - REMOVAL FORCE: 0.8kgf<sup>2</sup>.0kgf.
  - DURABILITY: 5000 CYCLES.
- ELECTRICAL PERFORMANCE,
  - CURRENT RATING: 3.0A VOLTAGE RATING: 5.0V
  - LCR: VBUS & GND PINS AND OTHER PINS: 40mΩ/PIN MAX. SHIELD: 50mΩ/MAX. LCR MAX. CHANGE OF ALL PINS: 10mΩ.
  - INSULATION RESISTANCE: 100MΩ MIN
  - DIELECTRIC WITHSTAND VOLTAGE AC 100V FOR 1 MINUTE.
- ENVIRONMENTAL PERFORMANCE:
  - OPERATING TEMPERATURE: -25<sup>°</sup>C~+85<sup>°</sup>C.
  - IR REFLOW: THE PEAK TEMPERATURE ON THE BOARD SHALL BE MAINTAINED FOR 10 SECONDS AT 260<sup>°</sup>C.

PIN ASSIGNMENTS

A5	CCI	B12	GND
A9	VBUS	B9	VBUS
A12	GND	B5	CC2
PIN	SIGNAL NAME	PIN	SIGNAL NAME

X.	±0.30	X°	±5°	UNITS	mm
.X	±0.20	.X°	±2°	MATL	
.XX	±0.10	.XX°	±1°	FINISH	
.XXX	±0.05	.XXX°	±0.5°	QTY	

NAME/INTENDED USE	
PART NO.(INTENDED USE)	
APPD.	SUNNY
CHKD.	USA
DR.	ZOE 2022-06-10

NAME/INTENDED USE	MINTRON CO., LTD.
PART NO.(INTENDED USE)	
APPD.	SUNNY
CHKD.	USA
DR.	ZOE 2022-06-10
TITLE	TYPE C 6P 180度插板DIP
DWG NO.	00723-UCAF004-X
SCALE	1/1
SHEET	1/1
REV.	A