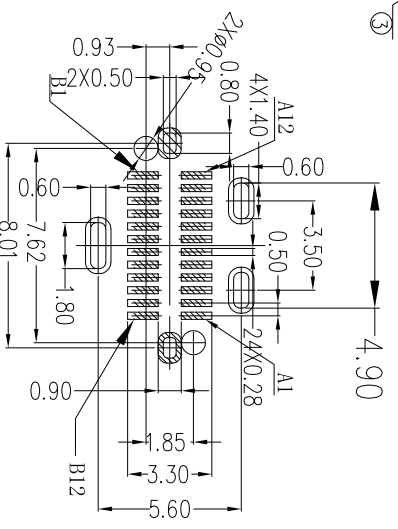
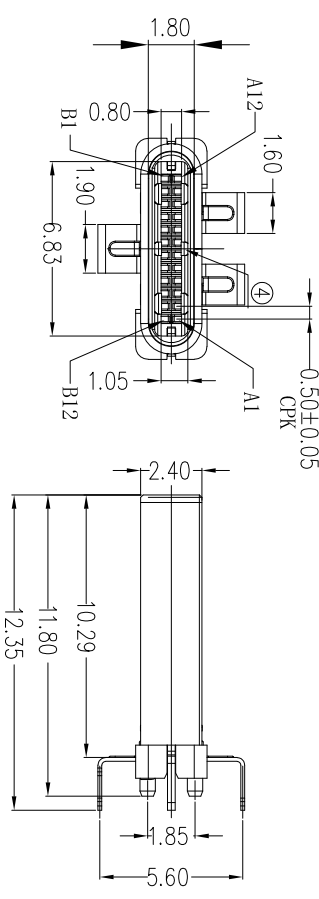
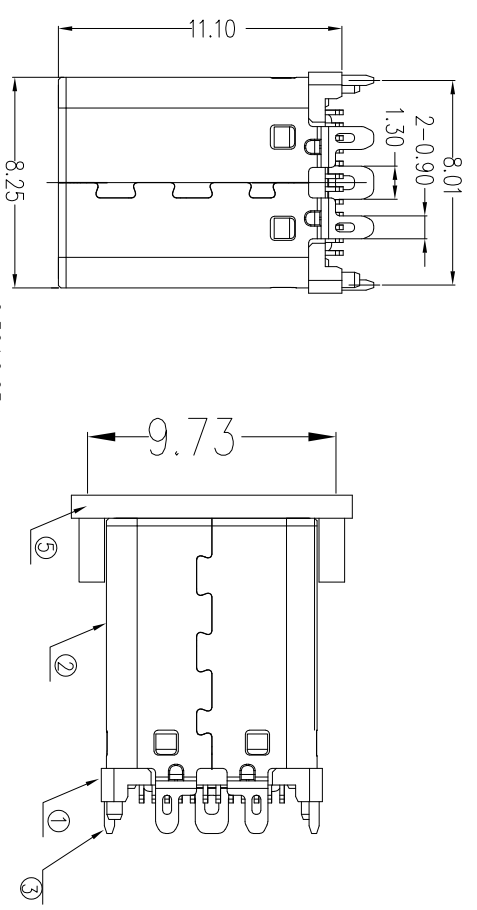


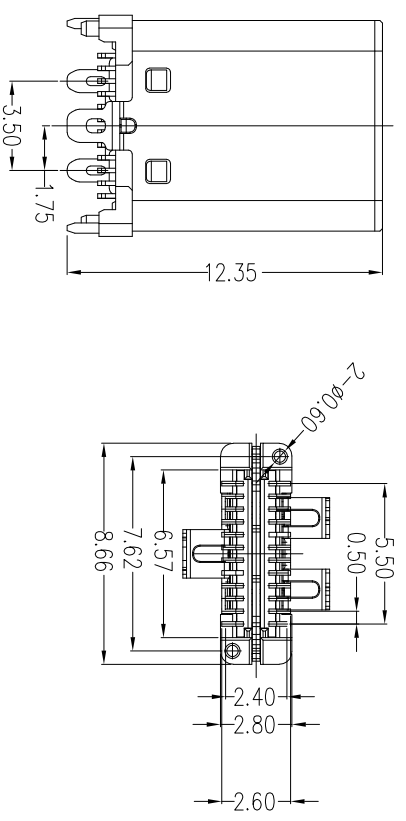
REV.	ECH. NO.	APPD.
A		

- NOTES:  
SPECIFICATION:
- CURRENT RATING: 3.0A MAX
  - VOLTAGE: 100 VAC
  - TEMPERATURE RANGE: -30 °C ~ 85 °C
  - CONTACT RESISTANCE: 40 MILLIONHM MAX
  - INSULATION RESISTANCE: 100 MEGOHMS MIN.
  - INSERTION FORCE : 5N~20N
  - UNMATING FORCE: 8N~20N
  - DURABILITY: 10,000 CYCLES



RECOMMENDED PCB LAYOUT(±0.80±0.05)  
COMPONENT SIDE(GENERAL TOLERANCE:±0.05)

A1	GND	B12	GND
A2	SSTXP1	B11	SSRXP1
A3	SSTXN1	B10	SSRXN1
A4	VBUS	B9	VBUS
A5	CC1	B8	SBU2
A6	DP1	B7	DN2
A7	DN1	B6	DP2
A8	SBU1	B5	CC2
A9	VBUS	B4	VBUS
A10	SSRYN2	B3	SSTXN2
A11	SSRXP2	B2	SSTXP2
A12	GND	B1	GND
PIN	SIGNAL NAME	PIN	SIGNAL NAME



X. ±0.30	X°. ±5°	UNITS	mm
X ±0.20	X° ±2°	MAT'L	
XX ±0.10	XX° ±1°	FINISH	
.XXX ±0.05	.XXX° ±0.5°	QTY	

NAME/(INTENDED USE)		MINTRON CO.,LTD.	
PART NO.(INTENDED USE)		TITLE: TYPE C 公头直立式三脚架	
APPD.: SUNNY	CHKD.: USA	DWG NO.:	00721-UCAM004-X
DR: ZOE	2022-06-10	SCALE	1/1
		SHEET	1/1
		REV.	A