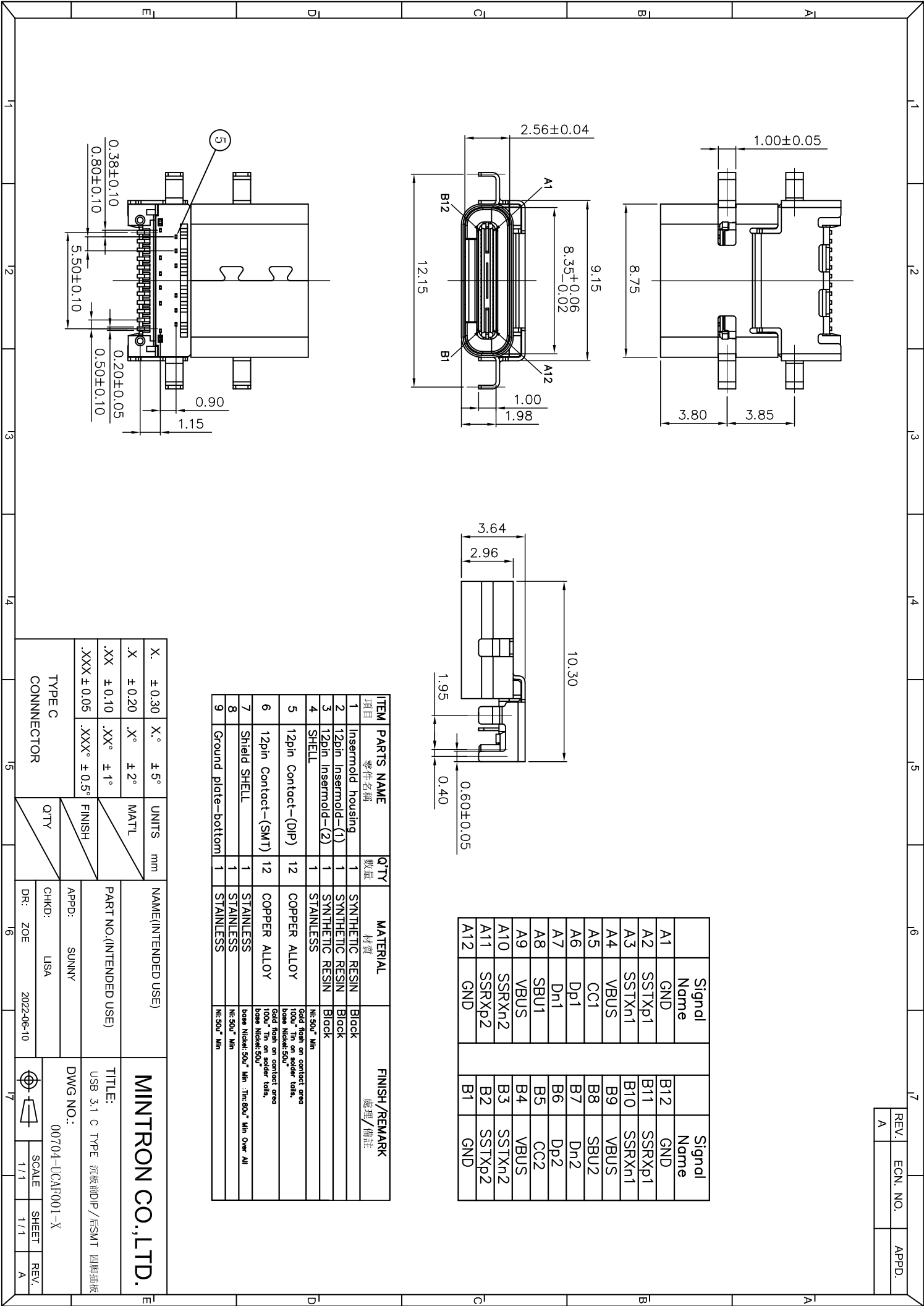
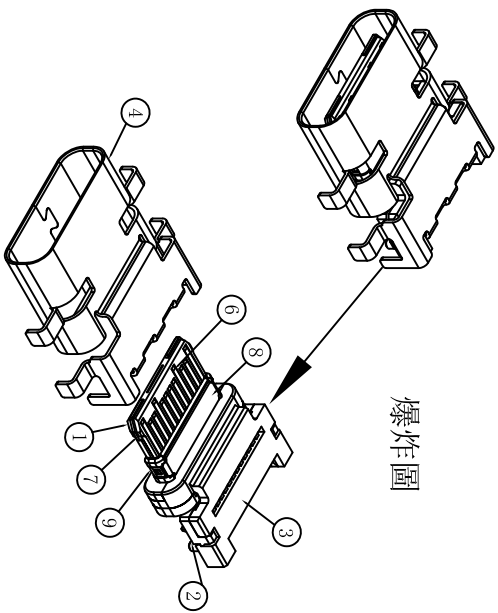


Signal Name	Signal Name
A1 GND	B12 GND
A2 SSTXp1	B11 SSRXp1
A3 SSTXn1	B10 SSRXn1
A4 VBUS	B9 VBUS
A5 CC1	B8 SBUS2
A6 Dp1	B7 Dn2
A7 Dn1	B6 Dp2
A8 SBUS1	B5 CC2
A9 VBUS	B4 VBUS
A10 SSRXn2	B3 SSTXn2
A11 SSRXp2	B2 SSTXp2
A12 GND	B1 GND

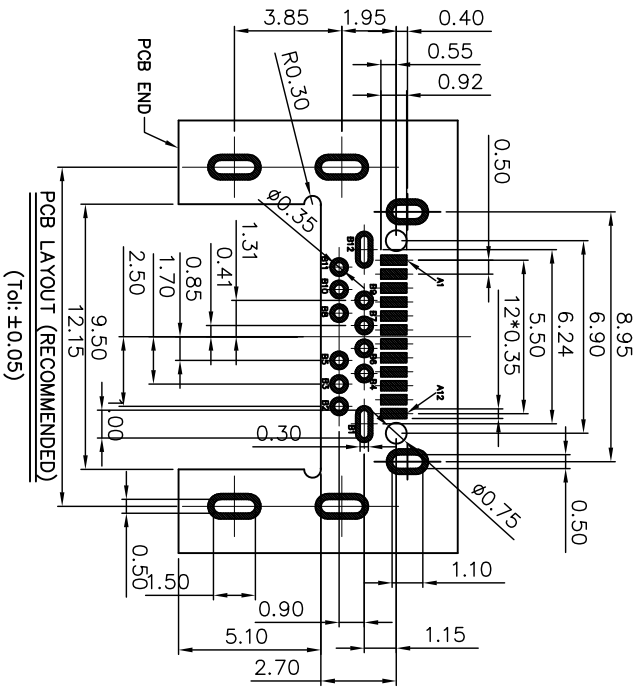
ITEM 項目	PARTS NAME 零件名稱	Q'TY 數量	MATERIAL 材質	FINISH/REMARK 處理/備註
1	Insertmold housing	1	SYNTHETIC RESIN	Black
2	12pin Insertmold-(1)	1	SYNTHETIC RESIN	Black
3	12pin Insertmold-(2)	1	SYNTHETIC RESIN	Black
4	SHELL	1	STAINLESS	Ni:50u" Min
5	12pin Contact-(DIP)	12	COPPER ALLOY	Gold finish on contact area 100u" Tin on solder tabs, base Nickel:50u
6	12pin Contact-(SMT)	12	COPPER ALLOY	Gold finish on contact area 100u" Tin on solder tabs, base Nickel:50u
7	Shield SHELL	1	STAINLESS	base Nickel:50u" Min Ni:50u" Min
8	Shield SHELL	1	STAINLESS	base Nickel:50u" Min Ni:50u" Min
9	Ground plate-bottom	1	STAINLESS	Ni:50u" Min

X. ±0.30	X.° ±5°	UNITS mm	NAME(INTENDED USE)	MINTRON CO.,LTD.
X ±0.20	X° ±2°	MAT'L	PART NO.(INTENDED USE)	
.XX ±0.10	.XX° ±1°	FINISH	APPD: SUNNY	TITLE: USB 3.1 C TYPE 沉板前DIP /后SMT 四脚插板
.XXX ±0.05	.XXX° ±0.5°	Q'TY	CHKD: LISA	DWG NO.: 00704-UICAR001-X
TYPE C CONNECTOR			DR: ZOE	SCALE SHEET REV. 1/1 1/1 A
			2022-06-10	





爆炸圖



SPECIFICATION
MATERIAL
 See drawing
STANDARD DATA
 Rating current:1.5A
ELECTRICAL
 Insulator resistance: 100M ohms Min
 Withstanding voltage: 100 VAC / minute
 Contact resistance: 40 m ohms Max
MECHANICAL
 Mating force: 5~20N.
 Umating force: 8~20N.
 Durability: 10000 cycles Min.
 PART NO.

X.	±0.30	X.°	±5°	UNITS	mm	NAME(INTENDED USE)	MINTRON CO.,LTD.
X.	±0.20	X.°	±2°	MATL		TITLE:	
.XX	±0.10	.XX°	±1°	FINISH		USB 3.1 C TYPE 流線型DIP / 高SMT 四脚插版	
.XXX	±0.05	.XXX°	±0.5°	QTY		DWG NO.: 00704-UCAP001-X	
TYPE C CONNECTOR						APPD: SUNNY	
						CHKD: LISA	
						DR: ZOE	2022-06-10

SCALE 1/1 SHEET 1/1 REV. A