

REV.	ECN NO.	APPD.
A		

NOTES: 1. MATERIAL:

MOLDING: LCP UL94 V-0  
CONTACT: COPPER ALLOY.

GOLD PLATED Min ON CONTACT AREA, 100 $\mu$ ”  
Min TIN (LEAD FREE) ON SOLDER AREA,

SHELL: SUS304-H, T=0.30 $\pm$ 0.03mm  
50 $\mu$ ” NICKEL PLATING OVER ALL.

SHILD: SUS304-H, T=0.12 $\pm$ 0.03mm

2. MECHANICAL:  
INSERTION: 5~20N.  
EXTRACTION: 8~20N.

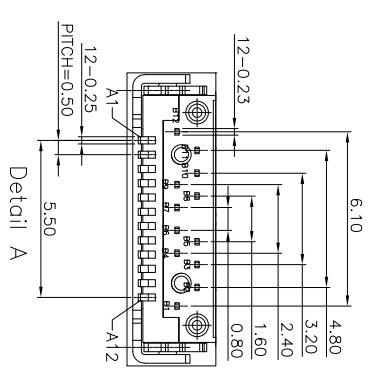
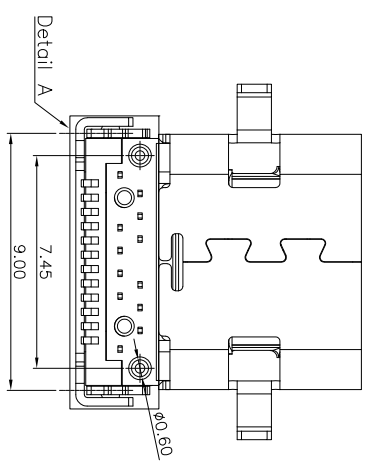
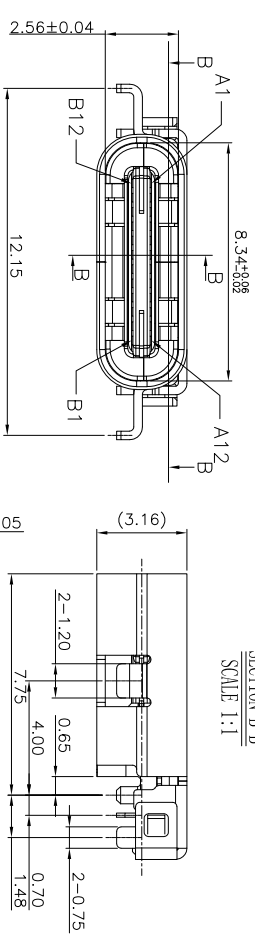
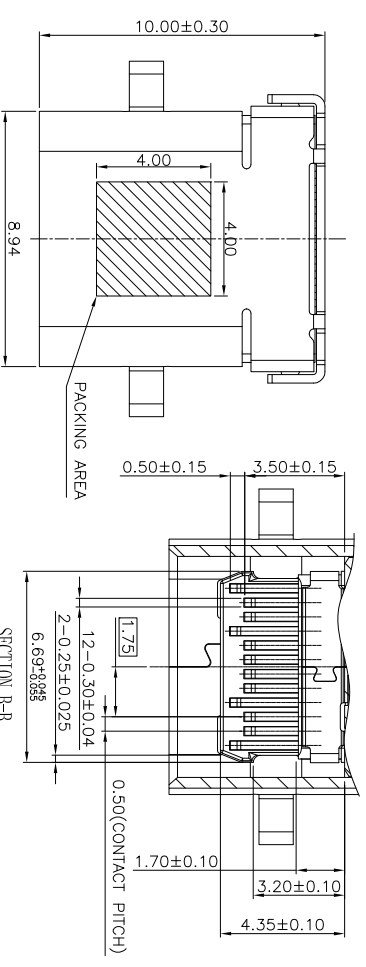
DURABILITY: 10000 CYCLES  
3. ELECTRICAL:

CURRENT: 5A MIN FOR VBUS;  
0.25A MIN FOR OTHER.

VOLTAGE: 20 V MAX  
WITHSTANDING VOLTAGE: 100V AC.

CONTACT RESISTANCE: 40m $\Omega$  MAX.  
INSULATION RESISTANCE: 100M $\Omega$  MIN.

4. ENVIRONMENTAL  
TEMPERATURE RANGE -55°C ~ +85°C



X	±0.30	X°	±5°	UNITS	mm	NAME (INTENDED USE)	TITLE: MINTRON CO., LTD.
X	±0.20	X°	±2°	MATL			
XX	±0.10	XX°	±1°				
XXX	±0.05	XXX°	±0.5°	FINISH			
TYPE C CONNECTOR							DWG NO.: 00501-UCAIF008-X
				QTY		APPD: SUNNY	SCALE 1/1
						CHKD: LISA	SHEET 1/1
						DR: ZOE	REV. A
						2022-06-10	

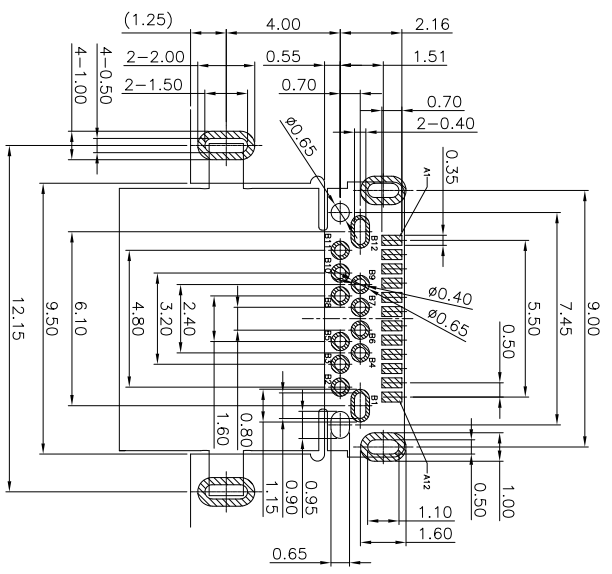
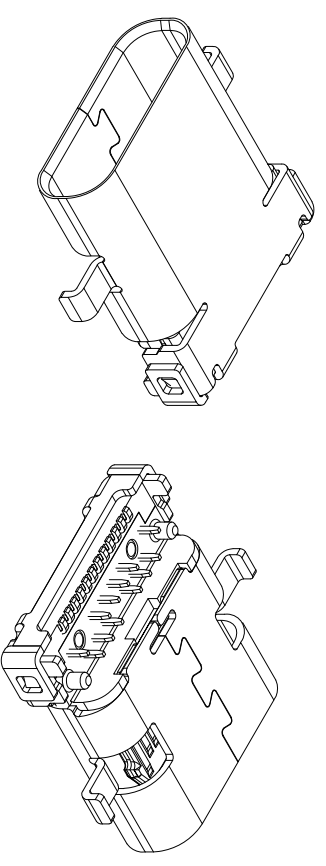
MINTRON CO., LTD.

TITLE:  
TYPE C母座沉板前部后翻扣P-SMT 24P L=10.0

DWG NO.: 00501-UCAIF008-X

SCALE 1/1 SHEET 1/1 REV. A

USB TYPE-C FULL-FEATURED RECEPTACLE INTERFACE PIN ASSIGNMENTS



RECOMMEND P.C.B LAYOUT( COMPONENT SIDE)  
TOLERANCE FOR PCB LAYOUT IS ± 0.05  
KEEP OUT ARE

PIN	Signal Name	Description	PIN	Signal Name	Description
A1	GND	Ground return	B12	GND	Ground return
A2	SSTXp1	Positive half of first SuperSpeed TX differential pair	B11	SSRXp1	Positive half of first SuperSpeed RX differential pair
A3	SSTXn1	Negative half of first SuperSpeed TX differential pair	B10	SSRXn1	Negative half of first SuperSpeed RX differential pair
A4	Vbus	Bus Power	B9	Vbus	Bus Power
A5	CCI	Configuration Channel	B8	SBU2	Sideband Use (SBU)
A6	Dp1	Positive half of the USB 2.0 differential pair-Position 1	B7	Dn2	Negative half of the USB 2.0 differential pair-Position 2
A7	Dn1	Negative half of the USB 2.0 differential pair-Position 1	B6	Dp2	Positive half of the USB 2.0 differential pair-Position 2
A8	SBU1	Sideband Use (SBU)	B5	CC2	Configuration Channel
A9	Vbus	Bus Power	B4	Vbus	Bus Power
A10	SSRXn2	Negative half of second SuperSpeed RX differential pair	B3	SSTXn2	Negative half of second SuperSpeed TX differential pair
A11	SSRXp2	Positive half of second SuperSpeed RX differential pair	B2	SSTXp2	Positive half of second SuperSpeed TX differential pair
A12	GND	Ground return	B1	GND	Ground return

X	±0.30	X°	±5°	UNITS	mm	NAME( INTENDED USE)	MINTRON CO.,LTD.
X	±0.20	X°	±2°	MATL			
XX	±0.10	XX°	±1°	FINISH		TITLE: TYPE C母座沉孔板后侧扣P+SMT 24P L=10.0	
XXX	±0.05	XXX°	±0.5°	QTY		DWG NO.: 00501-UCAP008-X	
TYPE C CONNECTOR						APPD: SUNNY	
						CHKD: USA	
						DR: ZOE	2022-06-10
							SCALE 1/1
							SHEET 1/1
							REV. A