

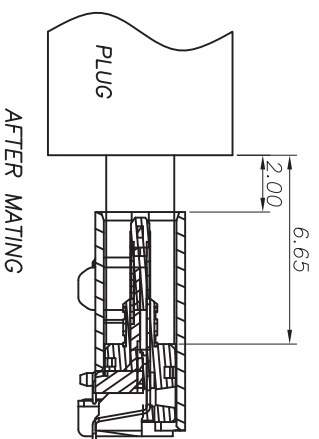
- NOTE:
- 1.MATERIAL SPECIFICATION:
 - 1.HOUSING:HIGH TEMPERATURE RESISTANT PLASTIC(LCP),UL94 V-0.
 - 2.CONTACTS:COPPER ALLOY(C1814)
 - 3.MID PLATE&EMI PLATE: STAINLESS STEEL(SUS301)
 - 4.FRONT SHELL: STAINLESS STEEL(SUS304)
 - 2.PLATING SPECIFICATION:
 - 2-1.CONTACTS:
 - Ni 50u" MIN. UNDER PLATED OVER ALL.
 - AU PLATED ON THE FUNCTIONAL AREA OF CONTACT. (GOLD PLATING THICKNESS FOLLOW THE P/N)
 - 2-2.FRONT SHELL:
 - PLATING SPECIFICATIONS OF THE SOLDER AREA FOLLOW THE P/N
 - 2-2.FRONT SHELL:
 - Ni 30u" MIN. UNDER PLATED OVER ALL.
 - 2-3.MID PLATE:
 - Ni 30u" MIN. UNDER PLATED OVER ALL.
 - Sn 80u"MIN. PLATED OVER ALL
 - 2-4.EMI PLATE:
 - CLEAR ONLY
 - 3.MECHANICAL PERFORMANCE,
 - 3-1.INSERTION FORCE: 0.5~2.0kgf.
 - 3-2.REMOVAL FORCE: 0.8kgf~2.0kgf.
 - 3-3.DURABILITY: 10000 CYCLES.
 - 4.ELECTRICAL PERFORMANCE,
 - 4-1. CURRENT RATING:5.0A
 - 4-2. LCR:
 - VBUS & GND PINS AND OTHER PINS: 40mΩ/PIN MAX.
 - SHIELD: 50mΩ/MAX.
 - LCR MAX. CHANGE OF ALL PINS: 10mΩ.
 - 4-3.INSULATION RESISTANCE: 100MΩ MIN
 - 4-4.DIELECTRIC WITHSTAND VOLTAGE,AC 100V FOR 1 MINUTE.
 5. ENVIRONMENTAL PERFORMANCE:
 - OPERATING TEMPERATURE: -25°C~+85°C.
 - 6.IR REFLOW:
 - THE PEAK TEMPERATURE ON THE BOARD SHALL BE MAINTAINED FOR 10 SECONDS AT 260°C.

X.	± 0.30	X.°	± 5°	UNITS	mm
.X	± 0.20	.X°	± 2°	MATL	
.XX	± 0.10	.XX°	± 1°	FINISH	
.XXX	± 0.05	.XXX°	± 0.5°		

TYPE C CONNECTOR	QTY	NAME(INTENDE USE)	PART NO.(INTENDE USE)	APPD:	CHKD:	DR:
				SUNNY	LISA	ZOE

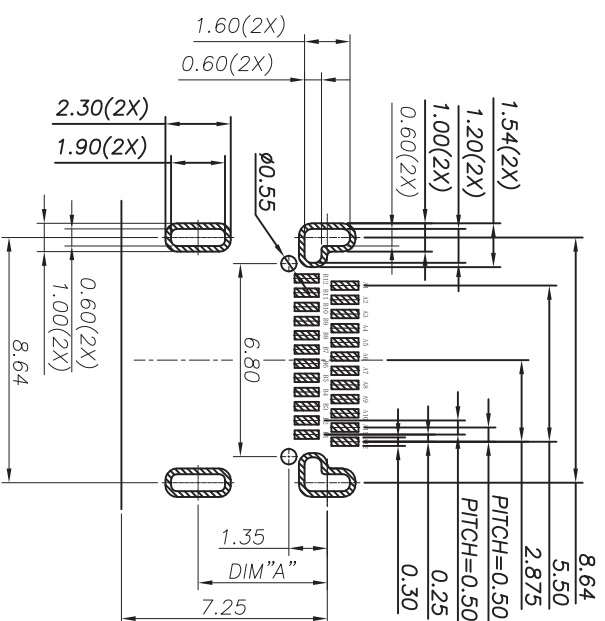
DWG NO.:		00302-UCAF006-A	
TITLE:		MINTRON CO.,LTD.	
TYPE:		C母座板上双排SMT有柱四点	
SCALE	SHEET	REV.	
1/1	1/1	A	

REV.	ECON. NO.	APPD.
A		



USB TYPE-C PIN ASSIGNMENTS

PIN NUMBER	SIGNAL NAME	PIN NUMBER	SIGNAL NAME
A1	GND	B12	GND
A2	SSTXp1	B11	SSRXp1
A3	SSTXn1	B10	SSRXn1
A4	Vbus	B9	Vbus
A5	CC1	B8	SBU2
A6	Dp1	B7	Dn2
A7	Dn1	B6	Dp2
A8	SBU1	B5	CC2
A9	Vbus	B4	Vbus
A10	SSRXn2	B3	SSTXn2
A11	SSRXp2	B2	SSTXp2
A12	GND	B1	GND



RECOMMENDED PCB LAYOUT(TOP VIEW)
THICKNESS: 0.60MM;DEFAULT TOLERANCE:±0.05

X. ±0.30	X.° ±5°	UNITS mm	NAME(INTENDED USE)	MINTRON CO.,LTD.
.X ±0.20	.X° ±2°	MAT'L	PART NO.(INTENDED USE)	
.XX ±0.10	.XX° ±1°	FINISH	APPD: SUNNY	TITLE: TYPE C母座板上双排SMT有柱四点
.XXX ±0.05	.XXX° ±0.5°		QTY	CHKD: LISA
TYPE C CONNECTOR			DR: ZOE	2022-06-10
			SCALE 1/1	SHEET 1/1
			REV. A	